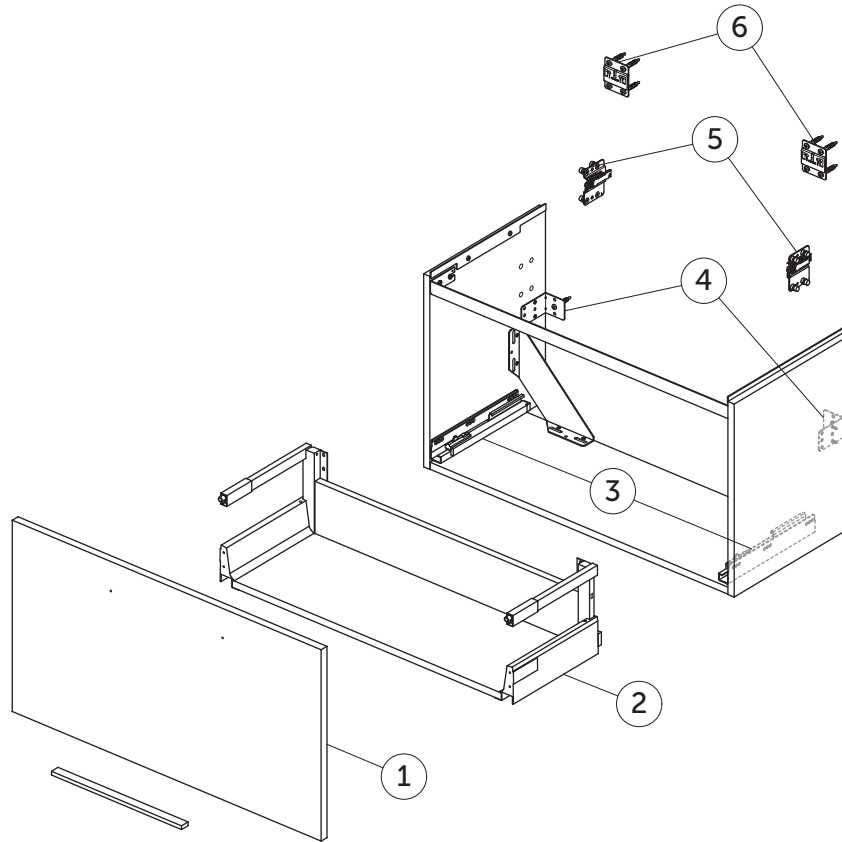


SPARE PARTS

Vanity Unit WH 800
1 drw

I.LIFE S



Item	Description	Colour/Finish	Code No.	Quantity
1	Drawer front panel 796 x 436	DU - White Matt NF - Sand Beige Matt NH - Greige Matt NG - Quartz Grey Matt NV - Carbon Grey Matt NX - Natural Oak NW - Coffee Oak	TF169DU TF169NF TF169NH TF169NG TF169NV TF169NX TF169NW	1
2	Drawer structure box 80x38		TF170NV	1
3	Runners 270 KIT Tandembox BM Blum		TF16667	pair
4	Safety brackets KIT BU (brackets, screws, plugs)		TF12067	10
5	Hangers KIT Camat 807		TF12167	pair
6	Wall fixation KIT BU (brackets, screws, plugs)		TF12267	18

Ideal Standard International NV
Corporate Village – Gent Building
Da Vincilaan 2
B1935 – Zaventem
Belgium

BE +32 (0)2 325 66 33
BG +359 675 30362
DE +49 (0)228 521 580
EG +202 26969700
FR +33 (0)1 49 38 28 00
GB 01482 496 318
GR +30 210 67 90 810
HR +38591 22 99 304

HU +36 30 6991 594
IT 800 652 290
ME +971 4 804 2400
NL +31 (0)77 355 08 08
PL +48 71 7868 301/302
RO +40 21 3223 201/202
SI 00386 59 919040
TR +90 216 314 87 87

UA +359 675 30 468
AL/XK/BA +359 887 709 696
CZ/SK +420 417 592 179
DK/NO/SE +45 75 84 10 10
ES/PT +34 93 561 80 00
LV/LT/EE +371 673 57 792
RS/MK/ME +381 11 713 80 58
RU/MD +7 495 669 23 11

