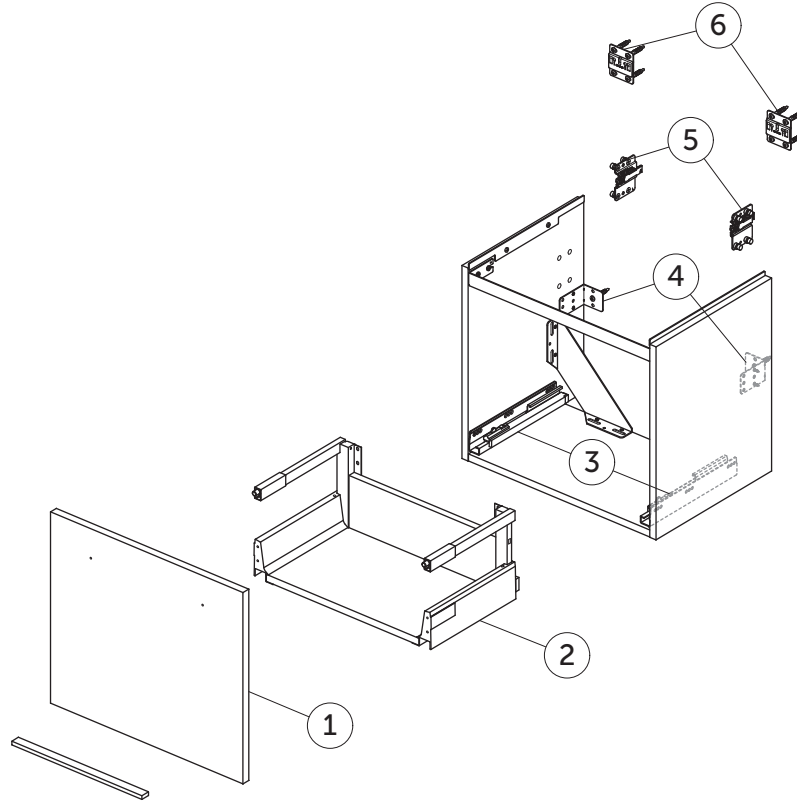


# SPARE PARTS

Vanity Unit WH 500  
1 drw

I.LIFE S



Item	Description	Colour/Finish	Code No.	Quantity
1	Drawer front panel 496 x 436	DU - White Matt NF - Sand Beige Matt NH - Greige Matt NG - Quartz Grey Matt NV - Carbon Grey Matt NX - Natural Oak NW - Coffee Oak	TF164DU TF164NF TF164NH TF164NG TF164NV TF164NX TF164NW	1
2	Drawer structure box 50x38		TF165NV	1
3	Runners 270 KIT Tandembox BM Blum		TF16667	pair
4	Safety brackets KIT BU (brackets, screws, plugs)		TF12067	10
5	Hangers KIT Camat 807		TF12167	pair
6	Wall fixation KIT BU (brackets, screws, plugs)		TF12267	18

Ideal Standard International NV  
Corporate Village – Gent Building  
Da Vincilaan 2  
B1935 – Zaventem  
Belgium

BE +32 (0)2 325 66 33  
BG +359 675 30362  
DE +49 (0)228 521 580  
EG +202 26969700  
FR +33 (0)1 49 38 28 00  
GB 01482 496 318  
GR +30 210 67 90 810  
HR +38591 22 99 304

HU +36 30 6991 594  
IT 800 652 290  
ME +971 4 804 2400  
NL +31 (0)77 355 08 08  
PL +48 71 7868 301/302  
RO +40 21 3223 201/202  
SI 00386 59 919040  
TR +90 216 314 87 87

UA +359 675 30 468  
AL/XK/BA +359 887 709 696  
CZ/SK +420 417 592 179  
DK/NO/SE +45 75 84 10 10  
ES/PT +34 93 561 80 00  
LV/LT/EE +371 673 57 792  
RS/MK/ME +381 11 713 80 58  
RU/MD +7 495 669 23 11

