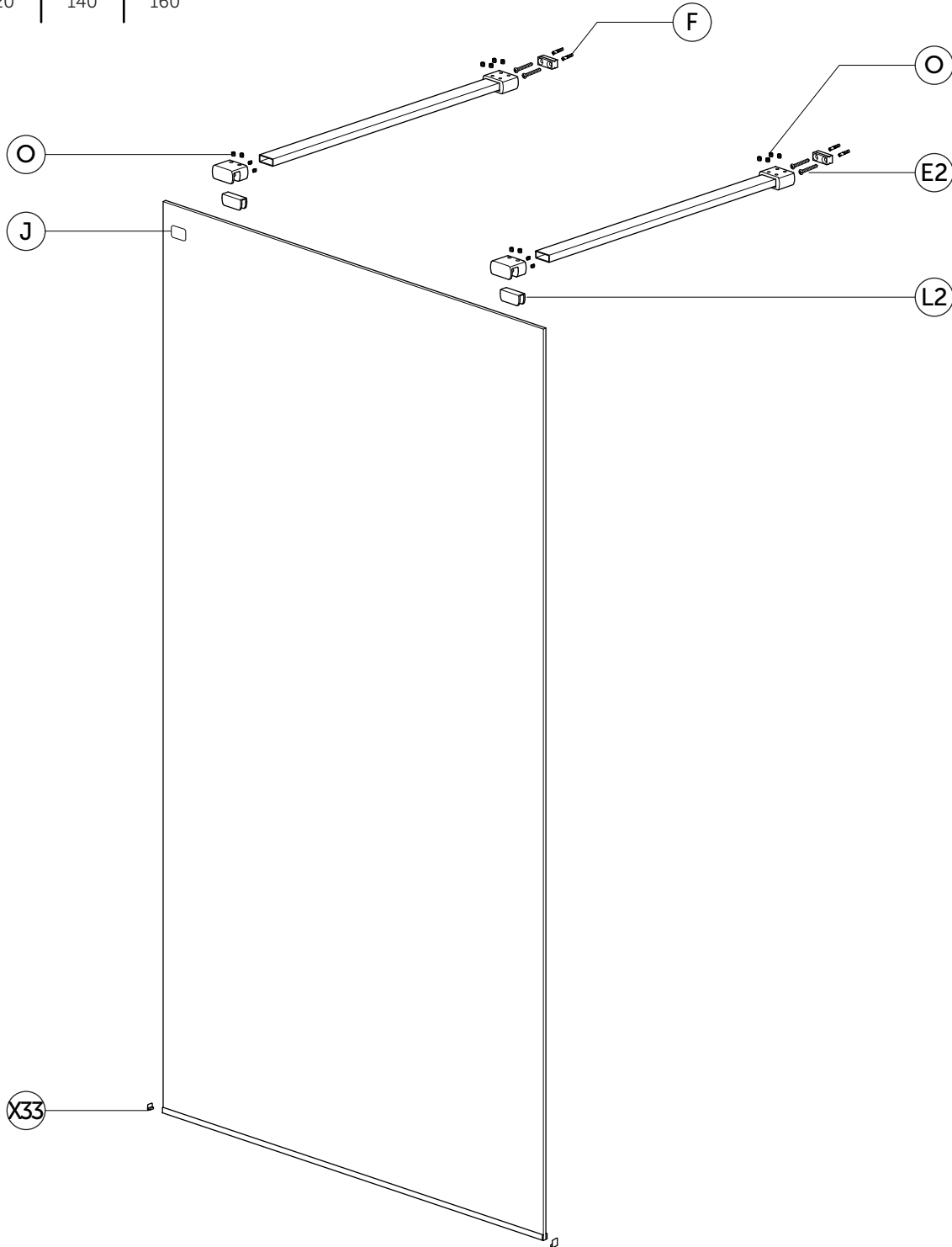


SPARE PARTS





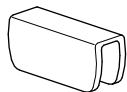
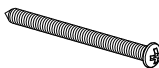
DUAL ACCESS

I.LIFE

T4875	T4876	T4877	T4878
100	120	140	160



Item	ERP Code	Drawing	Description	Remark	SKU
J			S.S. sticker with positioning template		KV29567
X33	307-204		Bottom Rail End Caps (Pair)	(Pair)	TR124AA

Item	ERP Code	Drawing	Description	Remark	SKU
D	LY-G01-131		Straight Bracket Fixing Set	TCB 3.9X30 : X2pcs wall plug x2pcs Clamp Gasket x1pcs grub screw x8pcs	TR04067
					
E2					
F					
L2					
E2			3.9x30 Countersunk Head Screw Pack	TCB 3.9X30 : x2pcs (COUNTERSUNK HEAD)	TR13867

Ideal Standard International NV
Corporate Village – Gent Building
Da Vincilaan 2
B1935 – Zaventem
Belgium

BE +32 (02) 325 66 33
BG +359 675 30362
DE +49 (0)228 521 580
EG +202 26969700
FR +33 (0)1 49 38 28 00
GB 01482 496 318

GR +30 210 67 90 810
HR +38591 22 99 304
HU +36 30 6991 594
IT 800 652 290
ME +971 4 804 2400
NL +31 (077) 355 08 08

PL +48 71 7868 301/302
RO +40 21 3223 201/202
SI 00386 59 919040
TR +90 216 314 87 87
UA +359 675 30468
AL/XK/BA +359 887 709 696

CZ/SK +420 417 592 179
DK/NO/SE +45 75 84 10 10
ES/PT +34 93 561 80 00
LV/LT/EE +371 673 57 792
RS/MK/ME +381 11 713 80 58
RU/MD +7 495 669 23 11