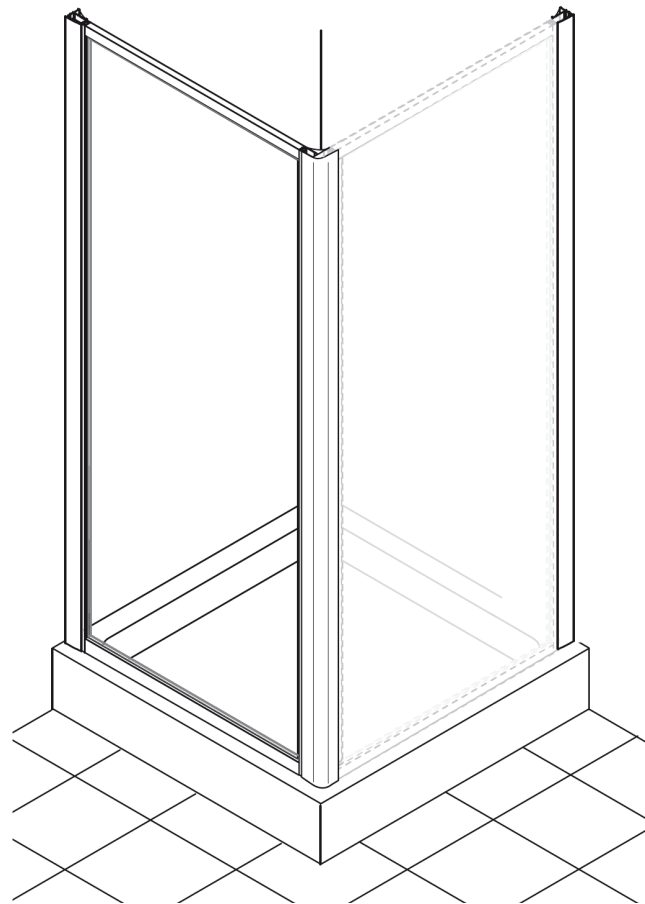
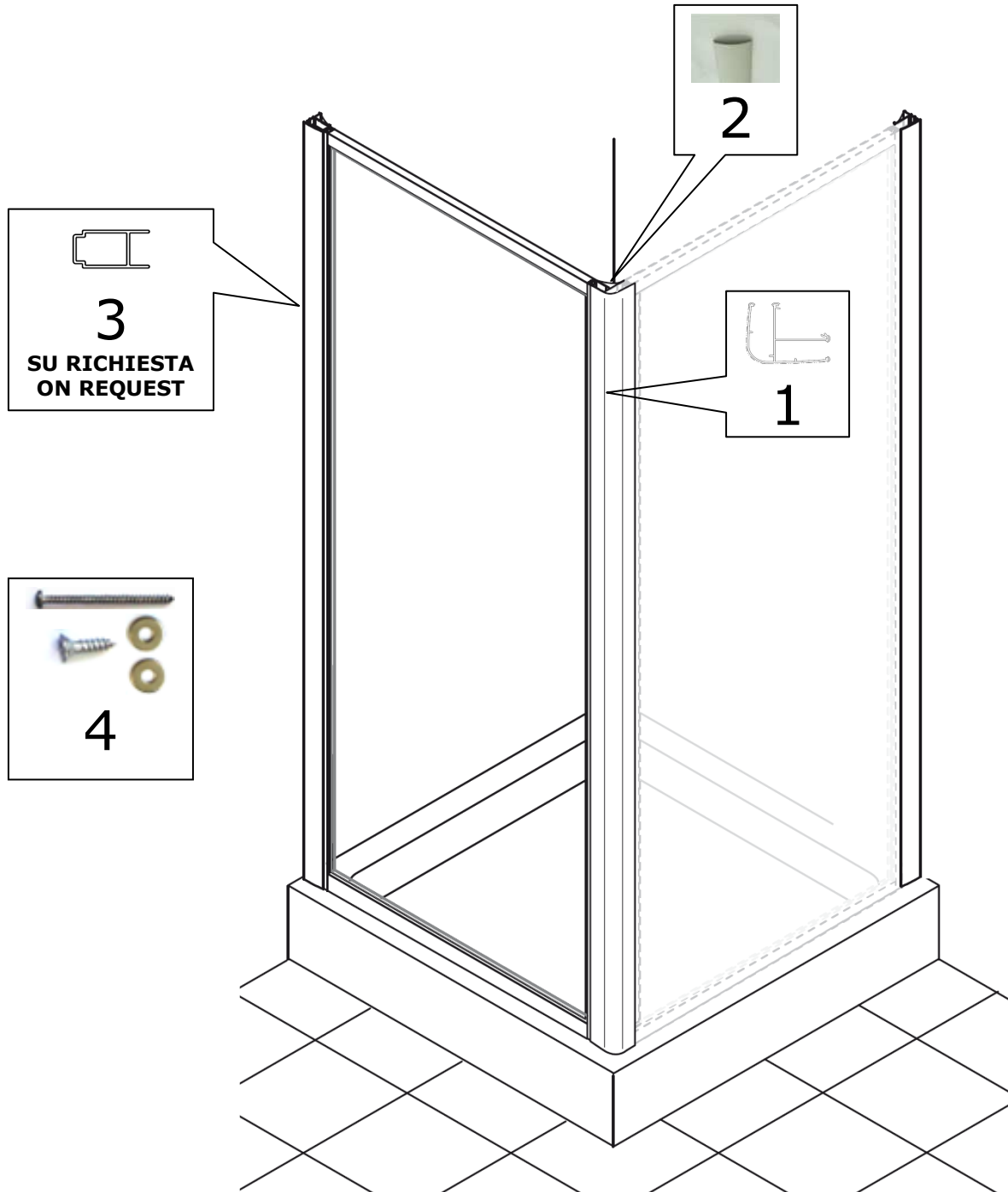


<b>Product Type</b>	Shower Enclosure	<b>Document N°:</b>	Release 0-2011
<b>Product Model</b>	Tipica L Fix Panel	<b>Data:</b>	18.02.2011
<b>Target</b>	After Sales use only	<b>Comments</b>	

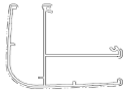

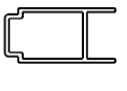



## **TIPICA "L" FIX PANEL**

**DRAWING 1 - COMPONENTS**



**DRAWING 1 - COMPONENTS  
SPARE PARTS LIST**

DRAWING REF.	DRAWING	SPARE CODE	COLOUR	DESCRIZIONE ITA	
				UK DESCRIPTION	
1		T000736YB	SILVER BRILL	PROFILO DI GIUNZIONE AD ANGOLO	1 PZ H=185 CM
		T000736AC	WHITE / BIANCO	<i>CORNER JUNCTION</i>	1 PC L=185 CM
2		T2140YB	SILVER BRILL	COPRIVITI IN PVC (CARTER) PER PROFILO ANGOLARE	1 PZ H=185 CM
		T2140AC	WHITE / BIANCO	<i>PVC COVER PROFILE FOR CORNER JUNCTION</i>	1 PC L=185 CM
3		T2196YB	SILVER BRILL	PROFILO COMPENSATIVO 25 mm CON VITI (su richiesta)	1 PZ H=185 CM
		T2196AC	WHITE / BIANCO	<i>ADJUSTER PROFILE 25 mm WITH SCREWS (on request)</i>	1 PC L=185 CM
4		T212767	SILVER BRILL	CONFEZIONE VITI E TASSELLI	1 SET
			WHITE / BIANCO	<i>COMPLETE SCREWS KIT FOR KUBO WALL PROFILE</i>	1 SET

**RICAMBI DA ORDINARE SUL PLANT IT11**

**SPARE PARTS TO BE ORDERED ON PLANT IT11**