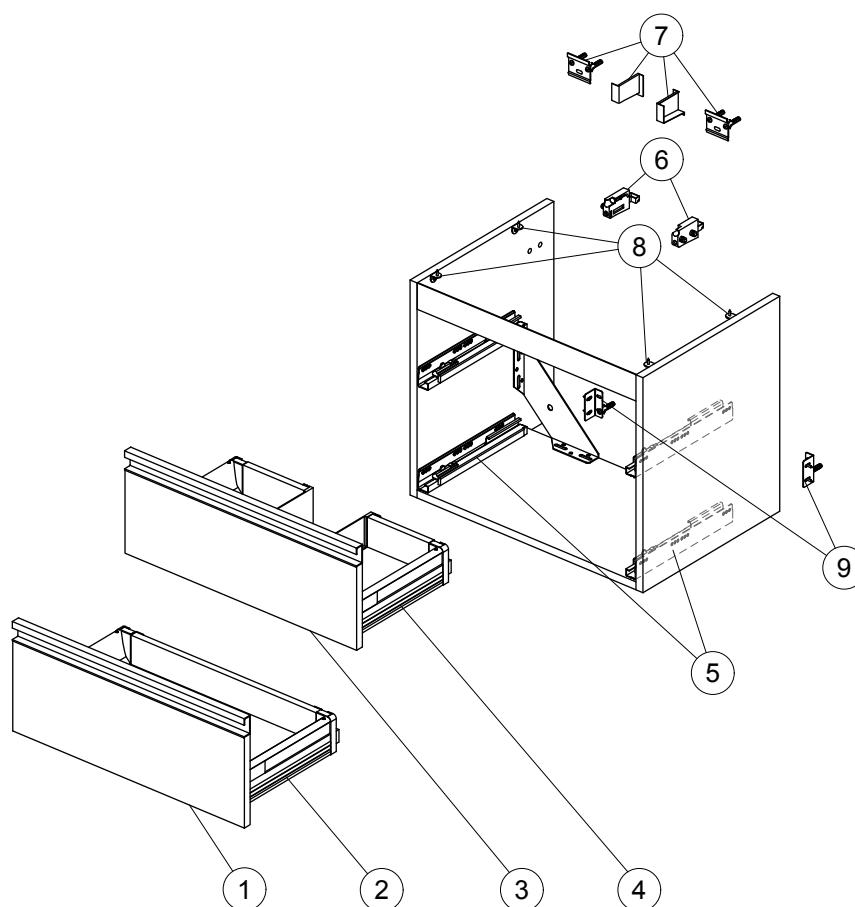


Item	Description	Colour/Finish		Code No.	Quantity
		Furniture Finish	Handle Finish		
1	Lower Drawer Front Panel with handle 60	OV - Glossy White PH - Glossy Light Grey WI - Matt Avio VI - Light Wood PU - Dark Taupe	Matt White Matt Light Gray Matt Light Gray Matt Light Gray Matt Dark Taupe	TV371OV TV371PH TV371WI TV371VI TV371PU	1
2	Drawer structure 2 drw 60 low *			TV37367	1
3	Upper Drawer Front Panel with handle 60	OV - Glossy White PH - Glossy Light Grey WI - Matt Avio VI - Light Wood PU - Dark Taupe	Matt White Matt Light Gray Matt Light Gray Matt Light Gray Matt Dark Taupe	TV370OV TV370PH TV370WI TV370VI TV370PU	1
4	Drawer structure 2 drw 60 up *			TV37267	1
5	Runner 300 KIT			TV38467	pair
6	Hanging brackets KIT 1			RV08267	pair
7	Wall fixation KIT 1			RV08167	12
8	TOP brackets (brackets & screws)			TV38367	12
9	Safety KIT (brackets, screws & plugs)			TV38767	12

* Plastic drawer structure in grey colour.
 Manufactured pre November 2017.
 Manufacturer traceability code 9999.



Item	Description	Colour/Finish		Code No.	Quantity
		Furniture Finish	Handle Finish		
1	Lower Drawer Front Panel Blum with handle 60	OV - Glossy White PH - Glossy Light Grey WI - Matt Avio VI - Light Wood PU - Dark Taupe	Matt White Matt Light Gray Matt Light Gray Matt Light Gray Matt Dark Taupe	TV662OV TV662PH TV662WI TV662VI TV662PU	1
2	Drawer structure 2 drw Blum 60 low *			TV66467	1
3	Upper Drawer Front Panel Blum with handle 60	OV - Glossy White PH - Glossy Light Grey WI - Matt Avio VI - Light Wood PU - Dark Taupe	Matt White Matt Light Gray Matt Light Gray Matt Light Gray Matt Dark Taupe	TV661OV TV661PH TV661WI TV661VI TV661PU	1
4	Drawer structure 2 drw Blum 60 up *			TV66367	1
5	Runner 300 KIT Blum			RV07467	pair
6	Hanging brackets KIT 1			RV08267	pair
7	Wall fixation KIT 1			RV08167	12
8	TOP brackets (brackets & screws)			TV38367	12
9	Safety KIT (brackets, screws & plugs)			TV38767	12

* Drawer structure with metal sides in white colour.
 Manufactured post October 2017.
 Manufacturer traceability code 9999.