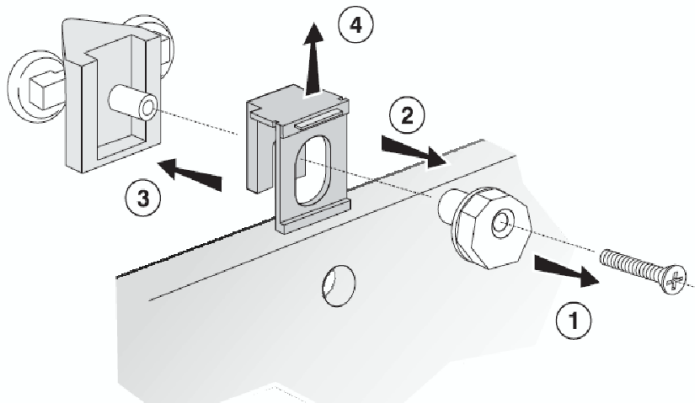


L6380EO SYNERGY QUAD 800 BRT/SIL CLEAR EU
 consists of: x1 - L6381EO SYNERGY FXD PNL 800 BRT/SIL QUAD EU (Pack 1)
 x1 - L6382EO SYNERGY DR PNL 800 BRT/SIL QUAD EU (Pack 2)

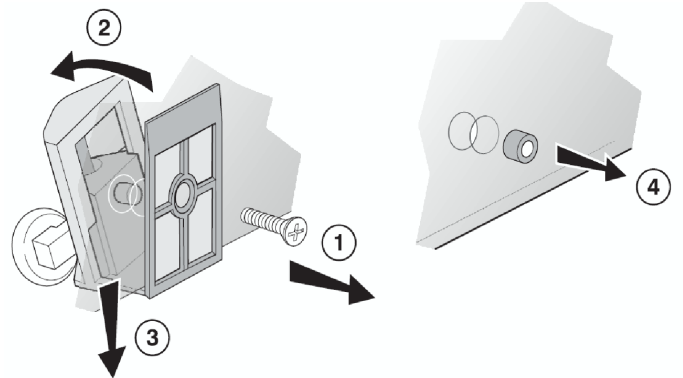
L6383EO SYNERGY QUAD 900 BRT/SIL CLEAR EU
 consists of: x1 - L6384EO SYNERGY FXD PNL 900 BRT/SIL QUAD EU (Pack 1)
 x1 - L6385EO SYNERGY DR PNL 900 BRT/SIL QUAD EU (Pack 2)

L6386EO SYNERGY QUAD 1000 BRT/SIL CLEAR EU
 consists of: x1 - L6387EO SYNERGY FXD PNL 1000 BRT/SIL QUAD EU (Pack 1)
 x1 - L6388EO SYNERGY DR PNL 1000 BRT/SIL QUAD EU (Pack 2)

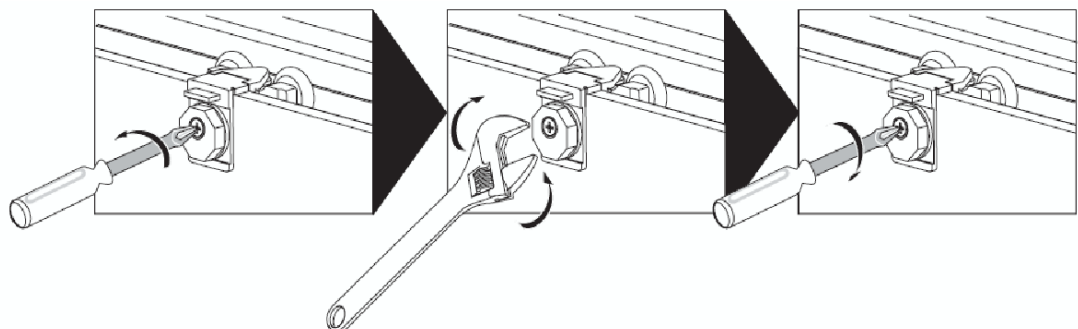
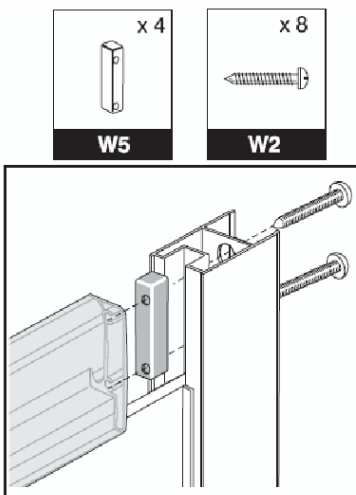
SYNERGY EU QUADRANT Instruction Number: 4887



TOP WHEEL REMOVAL



BOTTOM WHEEL REMOVAL



**Pack 1
Quadrant Panels**



Ref	F1	F2	F3	F4	F5	F6
Frame Components	x 2	x 2	x 2	x 2	x 4 Seal	x 2

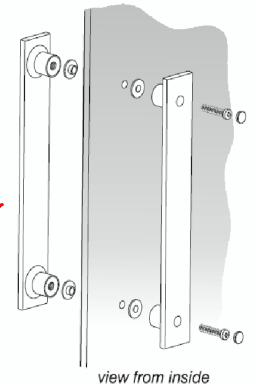
Ref	W1	W2	W3	W4	W5	W6
Wall Fixing Pack	x 8 Wall Plug	x 16 No.8 x 35 Pan Head	x 16 No.8 x 8 Pan Head	x 8	x 4	x 4 No.8 x 12 Pan Head
	x 2	x 2	x 4 RH0445			

**Pack 2
Quadrant Doors**



Ref	D1	D2	D3	D4	D5
Door Components	x 1	x 1	x 2 Seal	x 2	x 2

Ref	M1	M2	M3	M4	M5	M6	M7
Moulding Pack	x 4 RH0599	x 4 XP0530A	x 2	x 1	x 1	Grease	x 2 No.8 x 18 Csk Screw



Ref.	Description	Spares Part No.	Ref.	Description	Spares Part No.
F1	Wall Profile	LV802EO	D1	Door	(new pack required)
F2	Cover Profile	LV803EO	D2	Door	(new pack required)
F3	Fixed Panel	(new pack required)	D3	Door Vertical Seal	LV83667
F4	800 Quad Curved Rail - EU	LV948EO	D4	Handle Assembly	LV845AA
F4	900 Quad Curved Rail - EU	LV949EO		(includes all fixings required)	
F4	1000 Quad Curved Rail - EU	LV953EO	x	Handle Screw	LV85867
F5	Fixed Panel Horizontal Seal	LV83067	x	Handle Gasket	LV85967
	located top & bottom of panel		x	Handle Cover Cap Mldg	LV860AA
F6	Fixed Panel Vertical Seal	LV83167	x	Handle Spares Pack	LV821AA
W1	Wall Plug	(not available separately)		contains: (x2 screws, x4 gaskets, x2 cover caps)	
W2	No.8x35mm Pan Hd Screw	LV86567	D5	Magnet Door LH Seal	LV83267
W3	No.8x8mm Pan Hd Screw	LV86667	M1	Top Wheel Cover Mldg	LV868AA
W4	Wall Profile Mldg	LV867LJ	M2	Bottom Wheel Cover Mldg	LV869AA
W5	Fixed Panel Slider Adjuster Mldg	LV871LJ	M3	Adjuster Top Cap	LV854AA
	(located in adjuster profile above & below glass)		M4	Wall Profile LH Top Cap	LV855AA
W6	No.8x12mm Pan Hd Screw	LV87467	M5	Wall Profile RH Top Cap	LV856AA
W7	Fixed Panel Retainer LH Mldg	LV872AA	M6	Lube Pack	LV84467
	(screw for this mldg is LV87467)		M7	No.8x18mm CSK Screw	LV82267
W8	Fixed Panel Retainer RH Mldg	LV873AA			
	(screw for this mldg is LV87467)		x	Door Stop Assembly	LV853AA
W9	Fixed Panel Cover Mldg	LV870AA			
x	Wall Fixing Pack	LV86167	x	Top Wheel Assembly	LV846AA
	contains: (x8 W1, x8 W2, x16 W3, x8 W4)		x	Bottom Wheel Assembly	LV847AA
x	Glazing Seal 2M length	LV81367	x	Sliding Door Mldg Pack	LV825AA
	(vertical seal holds panel into aluminium profile)			contains:(x4 W9, x4 M1, x4 M2, x2 M3, x1 M4, x1 M5)	
x	Infold & Top Caps Mldg Pack	LV823AA	x	Fixed Panel Pack	LV826AA
	contains:(x2 M3, x1 M4, x1 M5)			contains:(x4 W9, x2 LV872AA, x2 LV873AA, x4 LV87467, x4 LV871LJ)	

