

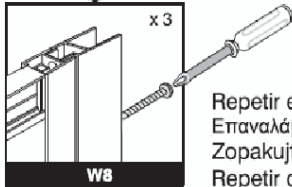
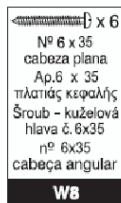
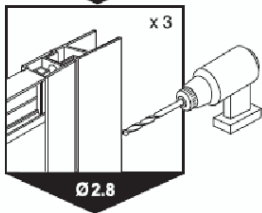
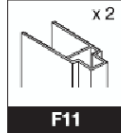
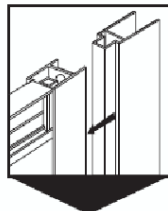
L6371EO SYNERGY C/E ENC 800 BRT/SIL CLEAR EU
 consists of: x1 - L6372EO SYNERGY C/E DR 800 BRT/SIL LH EU (Pack 1)
 x1 - L6373EO SYNERGY C/E DR 800 BRT/SIL RH EU (Pack 2)

L6374EO SYNERGY C/E ENC 900 BRT/SIL CLEAR EU
 consists of: x1 - L6375EO SYNERGY C/E DR 900 BRT/SIL LH EU (Pack 1)
 x1 - L6376EO SYNERGY C/E DR 900 BRT/SIL RH EU (Pack 2)

L6377EO SYNERGY C/E ENC 1000 BRT/SIL CLEAR EU
 consists of: x1 - L6378EO SYNERGY C/E DR 1000 BRT/SIL LH EU (Pack 1)
 x1 - L6379EO SYNERGY C/E DR 1000 BRT/SIL RH EU (Pack 2)

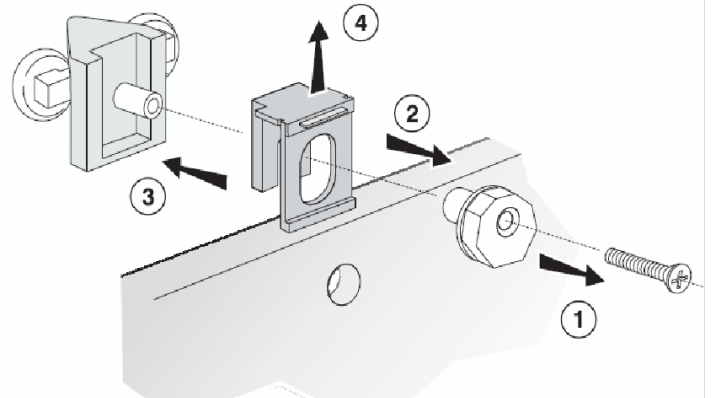
SYNERGY EU CORNER ENTRY Instruction Number: 4885

Según se requiera
 Όπως απαιτείται
 Podle potřeby
 Conforme se requiera

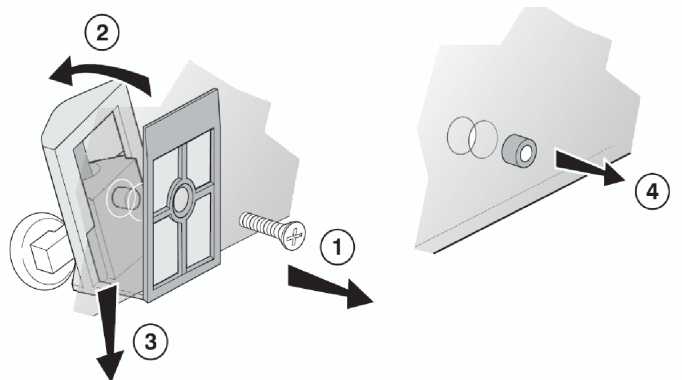


Repetir en el otro lado
 Επαναλάβετε και για την άλλη πλευρά
 Zopakujte postup na druhé straně
 Repetir do outro lado

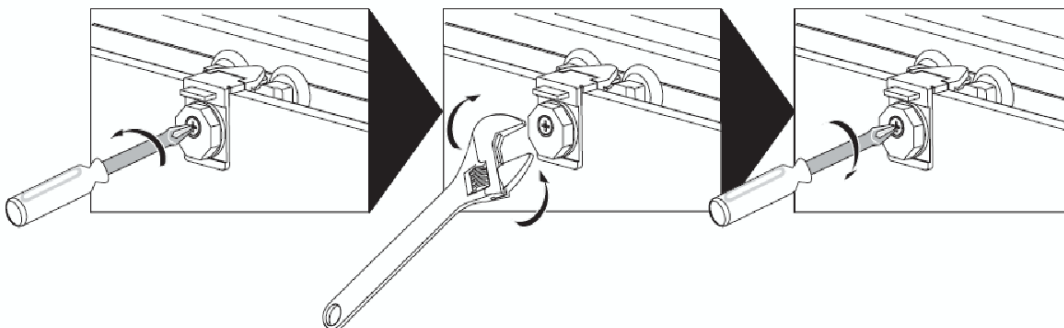
vista interior
 Όψη από την εσωτερική πλευρά
 Pohled zevnitř
 vista interior



TOP WHEEL REMOVAL



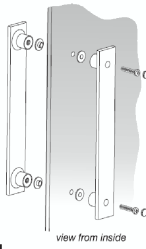
BOTTOM WHEEL REMOVAL



**Pack 1
Corner Entry**



Ref	F1	F2	F3	F4	F5	F6	F8	F9	F10	F11
Components	x 1	x 1	x 1	x 1	x 1	x 1	x 1	x 1	x 1	x 1
Ref	W1	W2	W3	W4	W5	W6	W7	W8		
Wall Fixing Pack	x 4	x 4	x 8	x 4	x 1	x 1	x 4	x 3 No.6 x 35 cabeza plana Αρ.6 x 35 πλαστικός κεφαλής Σraub - kuželová hlava č.6x35 nº 6x35 cabeça angular		
Ref	M1	M2	M3	M4	M5	M7	M8	M9		
Moulding Pack	x 2	x 2	x 2	x 1	x 1	x 1	x 1	x 1		



**Pack 2
Corner Entry**



Ref	F1	F2	F3	F5	F6	F7	F8	F9	F10	F11
Components	x 1	x 1	x 1	x 1	x 1	x 1	x 1	x 1	x 1	x 1
Ref	W1	W2	W3	W4	W5	W6	W7	W8		
Wall Fixing Pack	x 4	x 4	x 8	x 4	x 1	x 1	x 4	x 3 No.6 x 35 cabeza plana Αρ.6 x 35 πλαστικός κεφαλής Σraub - kuželová hlava č.6x35 nº 6x35 cabeça angular		
Ref	M1	M2	M3	M4	M6	M7	M8	M9		
Moulding Pack	x 2	x 2	x 2	x 1	x 1	x 1	x 1	x 1		

Ref.	Description	Spares Part No.	Ref.	Description	Spares Part No.
F1	Wall Profile	LV802EO	M1	Fixed Panel Cover Mldg	LV870AA
F2	Cover Profile	LV803EO	M2	Top Wheel Cover Mldg	LV868AA
F3	Frame	(new pack required)	M3	Bottom Wheel Cover Mldg	LV869AA
F4	Door	(new pack required)	M4	Adjuster Top Cap	LV854AA
F5	Door Vertical Seal	LV83667	M5	Wall Profile LH Top Cap	LV855AA
F6	Handle Assembly	LV845AA	M6	Wall Profile RH Top Cap	LV856AA
x	Handle Screw	LV85867	M7	Lube Pack	LV84467
x	Handle Gasket	LV85967	M8	No.8x18mm CSK Screw	LV82267
x	Handle Cover Cap Mldg	LV860AA	M9	Spacer Top Cap Mldg	LV947AA
x	Handle Spares Pack	LV821AA	x	Fixed Panel Slider Adjuster Mldg	LV871LJ
contains: (x2 screws, x4 gaskets, x2 cover caps)			(located in adjuster profile above & below glass)		
F7	Door	(new pack required)	x	Fixed Panel Retainer LH Mldg	LV872AA
F8	Magnet Door LH Seal	LV83267	(screw for this mldg is LV87467)		
F9	Magnet Door RH Seal	LV83367	x	Fixed Panel Retainer RH Mldg	LV873AA
F10	Fixed Panel Vertical Seal	LV83167	(screw for this mldg is LV87467)		
F11	Spacer Profile	LV946EO	x	No.8x12mm Pan Hd Screw	LV87467
W1	Wall Plug	(not available separately)	x	Door Stop Assembly	LV853AA
W2	No.8x35mm Pan Hd Screw	LV86567	x	Top Wheel Assembly	LV846AA
W3	No.8x8mm Pan Hd Screw	LV86667	x	Bottom Wheel Assembly	LV847AA
W4	Wall Profile Mldg	LV867LJ	x	C/E Fixing Pack	LV824AA
W5	C/E Corner Moulding	LV862LJ	contains:(x4 W7, x1 W5, x1 W6)		
W6	C/E Corner Cover Moulding	LV863LJ	x	Sliding Door Mldg Pack	LV825AA
W7	No.8x35mm Pan Hd Screw	LV86567	contains:(x4 M1, x4 M2, x4 M3, x2 M4, x1 M5, x1 M6)		
x	Wall Fixing Pack	LV86167	x	Fixed Panel Pack	LV826AA
contains: (x8 W1, x8 W2, x16 W3, x8 W4)			contains:(x4 M1, x2 LV872AA, x2 LV873AA, x4 LV87467, x4 LV871LJ)		
x	Glazing Seal 2M length	LV81367			
(vertical seal holds panel into aluminium profile)					
x	Fixed Panel Horizontal Seal	LV83067			
(601mm length) located top & bottom of panel					
x	Infold & Top Caps Mldg Pack	LV823AA			
contains:(x2 M4, x1 M5, x1 M6)					
W8	No.6x35mm Pan Hd Screw	LV94467			