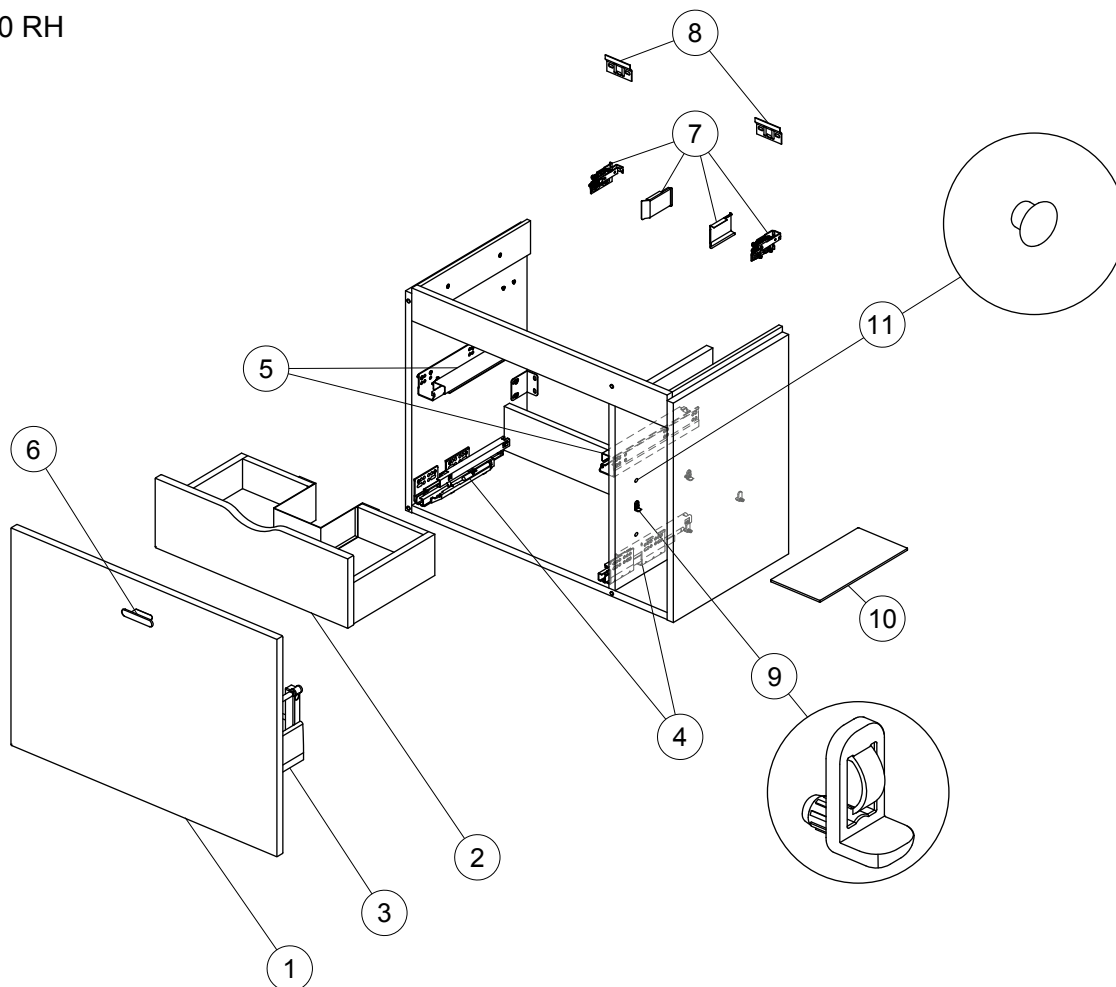


Spare parts

Basin Unit 700 RH

C6745
E0317
E0329
E0344



Item	Description	A	B	C	D	Quantity
		E0317; E0329	C6745	E0344, E0317, E0329	E0344, E0317, E0329	
1	Front panel 70 for external drawer	EF353KR - Gloss Grey * EF353KS - Elm EF353SO - American Oak EF353SX - Dark Walnut EF353WG - Gloss White	CV198WG - Gloss White CV198SV - Bleached Oak CV198XA - Walnut CV198KR - Gloss Grey	EF396DK - Walnut EF396KR - Gloss Grey * EF396KS - Elm EF396SO - American Oak EF396SX - Dark Walnut EF396WG - Gloss White	EF718DK - Walnut EF718KR - Gloss Grey EF718KS - Elm EF718SO - American Oak EF718SX - Dark Walnut EF718WG - Gloss White	1
2	Front panel 70 for internal drawer with complete drawer and plastic collar	EF354KR - Gloss Grey * EF354KS - Elm EF354SO - American Oak EF354SX - Dark Walnut EF354WG - Gloss White	CV199WG - Gloss White CV199SV - Bleached Oak CV199XA - Walnut CV199KR - Gloss Grey	EF401DK - Walnut EF401KR - Gloss Grey * EF401KS - Elm EF401SO - American Oak EF401SX - Dark Walnut EF401WG - Gloss White	EF719DK - Walnut EF719KR - Gloss Grey EF719KS - Elm EF719SO - American Oak EF719SX - Dark Walnut EF719WG - Gloss White	1
3	External drawer 70 (no front panel)	EF346JG - WG/SO/SX/KS EF347JG - KR *	CV20067	EF392JG - KR * EF393JG - WG/SO/SX EF393KP - DK/KS	EF72067	1
4	Runner KIT external drawer	EV60867 - Emuca	CV17667 - Emuca	EF32067 - Hettich	EF32067 - Hettich	Pair
5	Runner KIT internal drawer	EV13167 - Emuca	CV17567 - Emuca	EV13067 - Hettich	EV13067 - Hettich	Pair
6	Handle standard with screws	E6748AA	CV177AA	E6748AA	E6748AA	1
7	Hanging brackets KIT 1	EV85667 - Scarpi	CV17867 - Camar	EV85667 - Scarpi	CV17867 - Camar	Pair
8	Wall fixation KIT 1	EV86067	CV17967	EV86067	CV17967	16
9	Shelf support KIT	EF31867	CV197AA	EF31867	CV197AA	4
10	Glass shelf 270 x 128	EF35067	CV196RQ	EF35067	CV196RQ	1
11	Hole cover caps 5mm	EV61667 - White EV61367 - Oak EV61467 - Walnut EV86167 - Gloss Grey		EV61667 - White EV61367 - Oak EV61467 - Walnut EV86167 - Gloss Grey	EV61667 - White EV61367 - Oak EV61467 - Walnut EV86167 - Gloss Grey	20

A = SQS manufactured pre Nov 2015 with traceability code up to 6126500 (Emuca)

B = CONNECT 'C Code' products manufacturer traceability code 6666

C = - All SQS manufactured post Nov 2015 with traceability code following 6126500 (Hettich)

- All CONNECT manufactured for German market regardless of date of manufacture (Hettich)

D = All manufactured products post January 2017, manufacturer traceability code 6666

* KR SQS units manufactured using 18 mm board