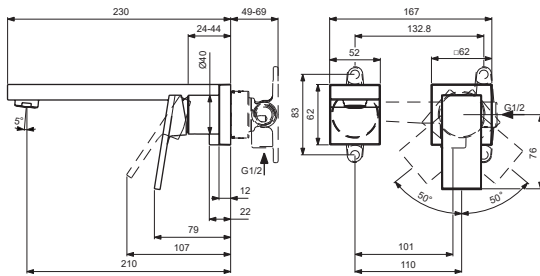




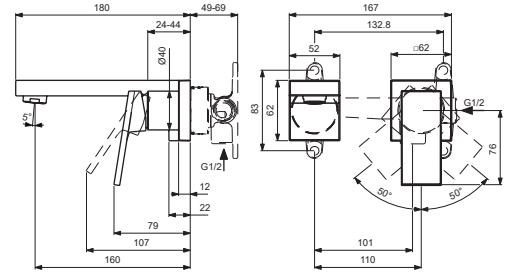
EXTRA

Ideal Standard

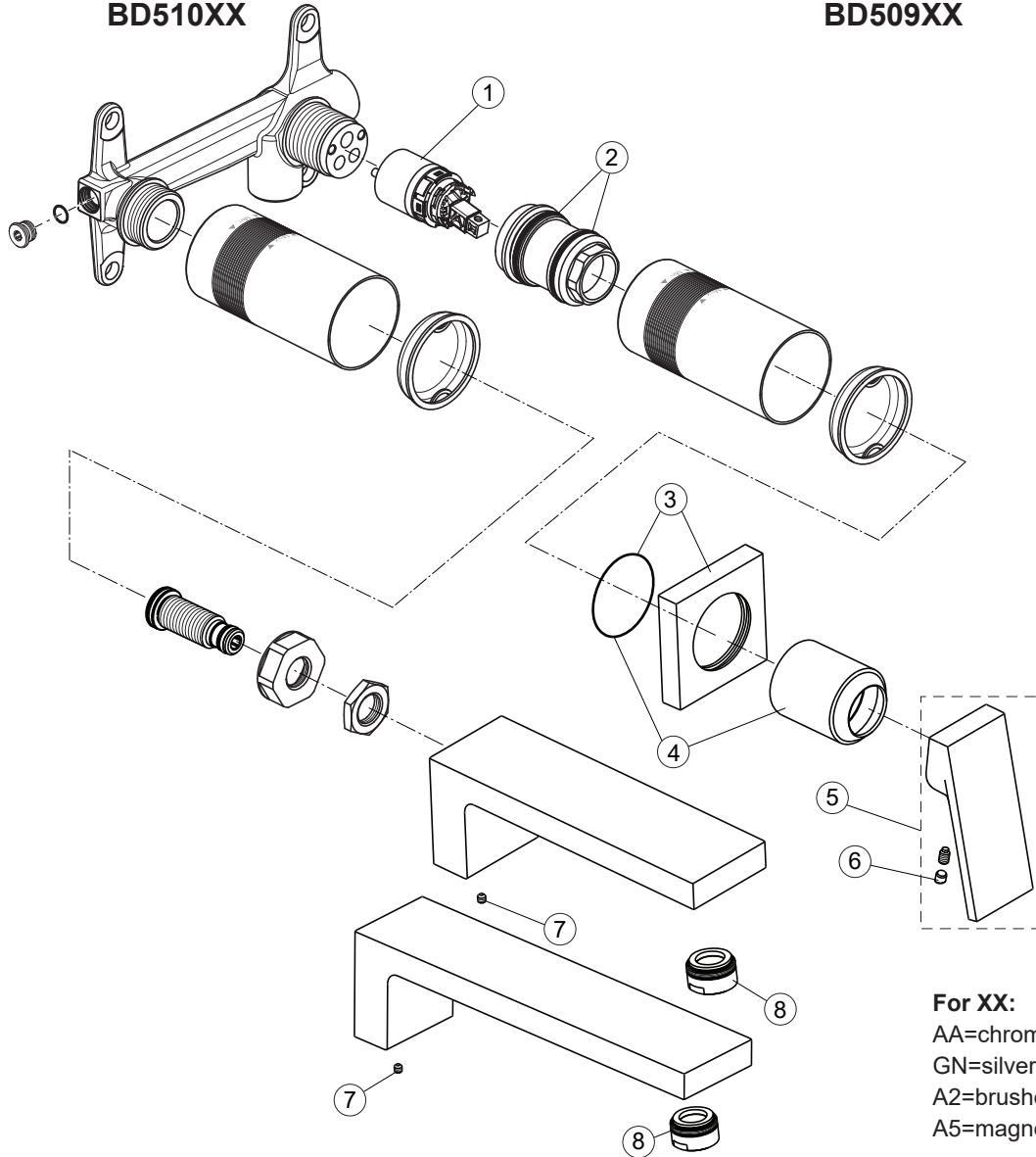


BD510XX

Pre-installation Kit 1:
A1313NU



BD509XX



For XX:
AA=chrome
GN=silver storm
A2=brushed gold
A5=magnetic grey

Pos.	Signify	Spare parts-Nr.	Quantity	Pos.	Signify	Spare parts-Nr.	Quantity
1	Cartridge Ø28mm	A861397NU*	1 Set				
2	O-Ring Ø32x2	A961793NU	2 Pcs.				
3	Escutcheon with O-Ring	B961878XX	1 Set				
4	Cover cap with O-Ring	A861424XX	1 Set				
5	Lever,w/o logo-set	B961879XX	1 Set				
6	Handle plug	A861223NU*	1 Set				
7	Screw M4x4	A962270NU	1 Pcs.				
8	Aerator M24x1- 5l/min	F960876XX	1 Pcs.				

**Universal set (not all parts needed)*