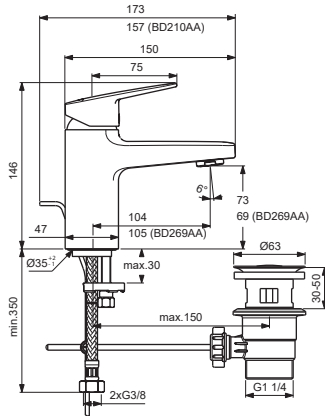




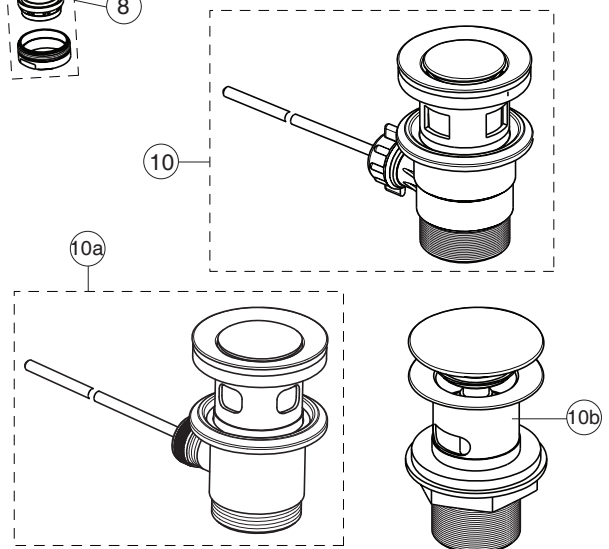
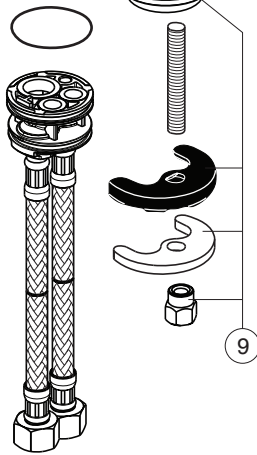
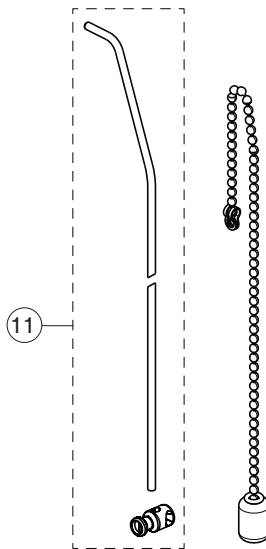
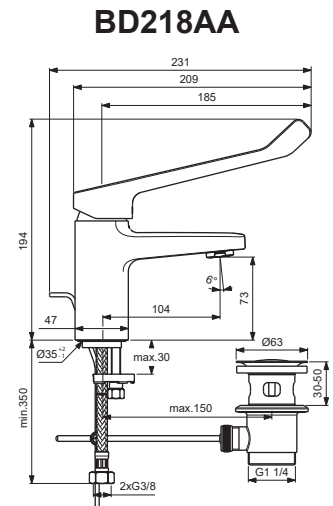
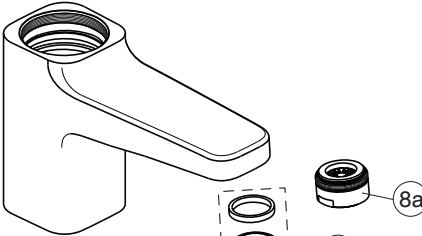
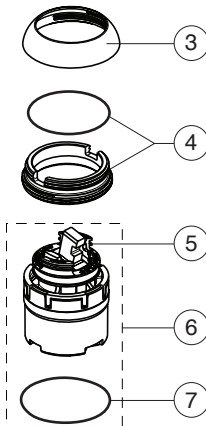
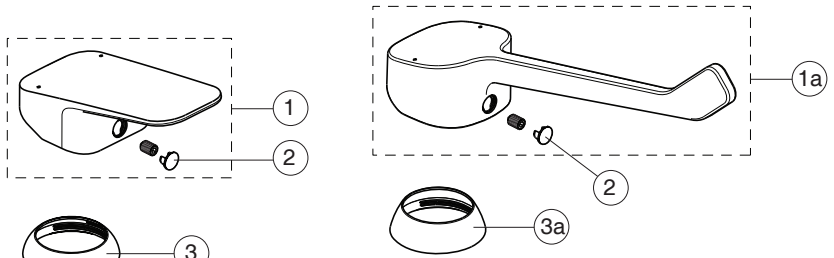
CERAPLAN

Ideal Standard

BD209AA
BD210AA
BD212AA
BD214AA
BD216AA
BD269AA



without pop-up waste:
BD209AA
with pop-up waste-plastic:
BD212AA
with pop-up waste-abs/mess:
BD214AA ; BD269AA
with click waste:
BD216AA
with beaded chain:
BD210AA



Pos.	Signify	Spare parts-Nr.	Quantity	Pos.	Signify	Spare parts-Nr.	Quantity
1	Lever,w/logo	B961716AA	1 Set	10b	Click waste slotted	S8803AA	1 Pcs.
1a	Lever,w/logo-clinic	B961719AA	1 Set		Click waste plastic	B961705AA	1 Pcs.
2	Cap decorative	B960473AA	1 Pcs.	11	Pull-up rod-compl.	B960900AA	1 Set
3	Rosette M38x1.5	B961438AA	1 Pcs.				
3a	Rosette M38x1.5	B961373AA	1 Pcs.				
4	Screw M41x1.5/M38x1.5	B961374NU	1 Set				
5	Hot limit stop	A861181NU	1 Pcs.				
6	Cartridge Ø38mm	A861156NU*	1 Pcs.				
7	O-Ring Ø38x2.5	E960059NU*	1 Set				
8	Perlator M24x1-A - 5l/min	B961383AA	1 Pcs.				
8a	Casc. perlator M24x1-A	A960321AA**	1 Pcs.				
9	Connecting set	A964520NU	1 Set				
10	Pop-up waste-plastic	B964550AA	1 Pcs.				
10a	Pop-up drain ass.	A962991AA	1 Pcs.				

** for BD269AA

*Universal set (not all parts needed)

07.2021