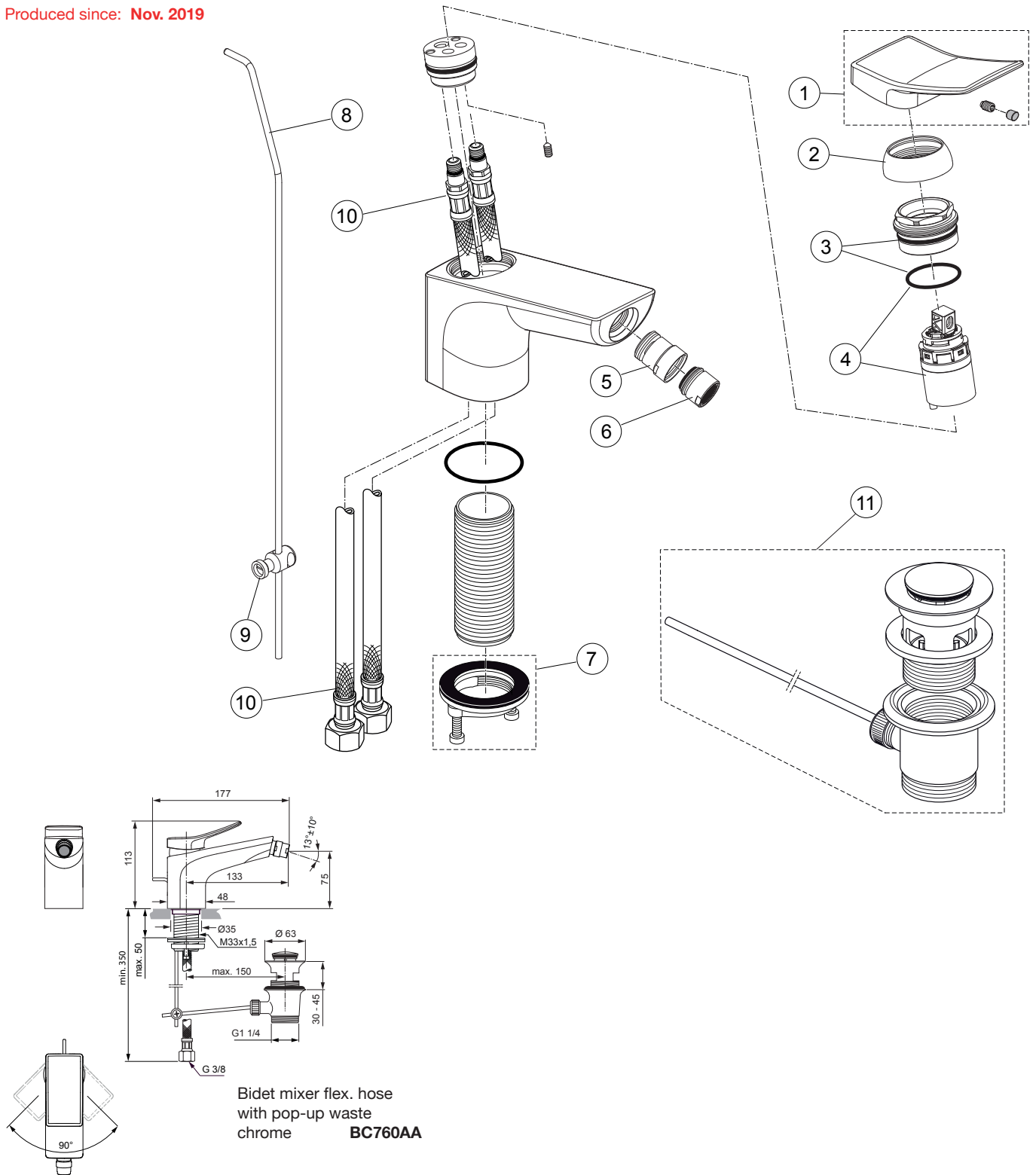


Produced since: **Nov. 2019**



**Replace XX with the appropriate finish code**

Chrome = AA Silver Storm = GN Gold = A2 Magnetic Grey = A5

**Example spare part order:**

**A 861 416 AA** in Chrome

Pos.	Description	Part-Number	Qty.	Pos.	Description	Part-Number	Qty.
1	Lever cpl.	<b>A 861 416 XX</b>	1 Set	11	Pop-up waste complete	<b>A 961 230 XX</b>	1 Set
2	Cover cap	<b>A 861 417 XX</b>	1 pcs		<i>*Universal set (not all parts needed)</i>		
3	O - Ring Ø 28 x 2	<b>A 963 299 NU</b>	1 pcs				
4	Cartridge Ø28 + O - Ring	<b>A 861 399 NU</b>	1 Set				
5	Ball joint M18x1 / M16,5x1	<b>A 960 019 XX</b>	1 pcs				
6	Aerator M18x1 - 5ltr/min	<b>A 963 369 XX</b>	1 pcs				
7	Fixation kit	<b>A 964 520 NU*</b>	1 Set				
8	Lift rod cpl. + Pos. 8	<b>B 960 900 XX</b>	1 Set				
9	Bracket	<b>A 961 172 NU</b>	1 pcs				
10	Flex. hose M8x1-G3/8-425	<b>A 962 370 NU</b>	1 pcs				