

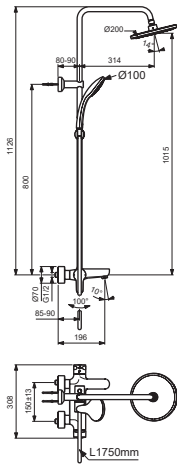


Produced from: May 2022

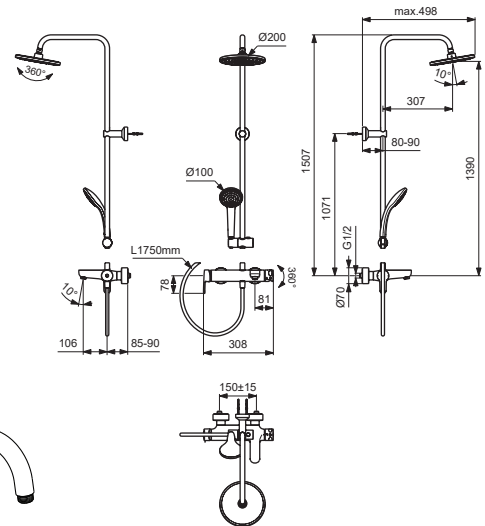
CERAFINE MODEL O

Ideal Standard

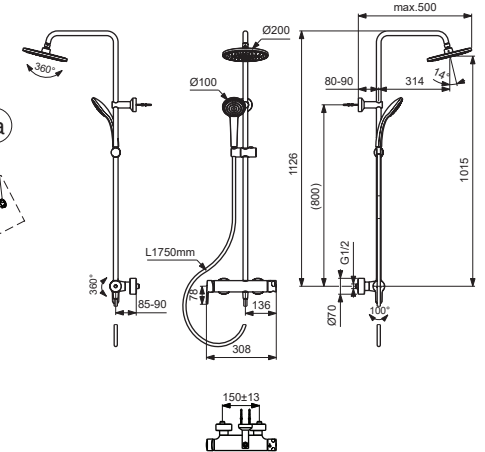
BC525XG



BC749XG



BC750XG



For XX=Coverage-Designate:
AA=chrome,XG=silk black

For Instance:
B961703AA for chrome

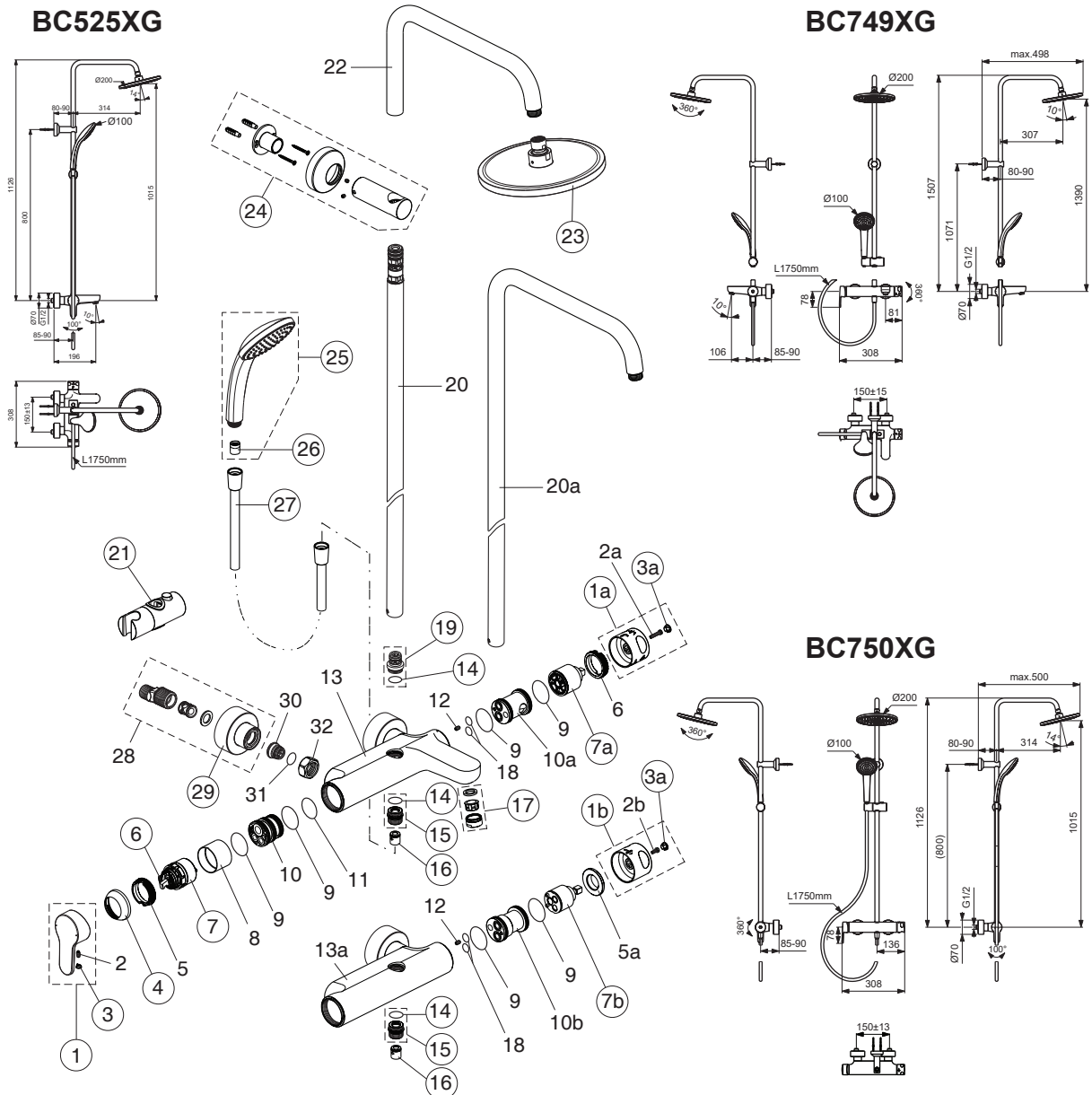
Pos.	Signify	Spare parts-Nr.	Quantity	Pos.	Signify	Spare parts-Nr.	Quantity
1	Lever, w/logo-compl.	B961703XX	1 Set	12	Rain shower Ø200	A861378XX	1 Set
1a	Handle, w/logo	B961212XX	1 Set	13	Wallholder	A861389XX	1 Set
1b	Handle, w/logo	B961213XX	1 Set	14	Shower 1F;100mm;8l/min	B9402XX	1 Pcs.
2	Cap decorative	B960473AA	1 Pcs.	15	Flow regulator 8 l/min	B961093NU	1 Pcs.
2a	Cap decorative	A962227AA	1 Pcs.	16	Sh.hose L1750mm -compl.	BE175XX	1 Pcs.
3	Cap	B960862XX	1 Set	17	Escutcheon-compl.	B961016XX	1 Set
4	Hot limit stop	A861181NU	1 Pcs.	18	Pipe extension Ø20-L150mm	B961801XX	1 Pcs.
5	Cartridge Ø38mm-click	B961491NU*	1 Pcs.				
5a	Three-way diverter	B961214NU	1 Pcs.				
5b	Ceramic diverter	B961215NU	1 Pcs.				
6	O-Ring Ø18.2x1.7	A961640NU	2 Pcs.				
7	Nipple M22x1-G1/2	B964675A5	1 Set				
8	Non return valve	B961346NU	1 Pcs.				
9	Neop.cascade M24x1-D	A960537XX	1 Set				
10	Nipple	B961704XX	1 Set				
11	Slider set	B960976XX	1 Set				



Produced from: Nov.2020

CERAFINE MODEL O

Ideal Standard



For XX = Coverage - Designate:
AA=chrome, XG=silk black

For Instance:
B 961010 AA for chrome

Pos.	Signify	Spare parts-Nr	Quantity	Pos.	Signify	Spare parts-Nr	Quantity
1	Lever,w/logo-compl.	B961703XX	1 Pcs.	15	Nipple M22x1-G1/2	B964675A5	1 Pcs.
1a	Handle,w/logo	B961212XX	1 Pcs.	16	Non return valve	B961346NU	1 Pcs.
1b	Handle,w/logo	B961213XX	1 Pcs.	17	Neop.cascade M24x1-D	A960537XX	1 Pcs.
2	Screw M5x8		1 Pcs.	18	O-Ring Ø11x2		2 Pcs.
2a	Screw M4x20		1 Pcs.	19	Nipple	B961704XX	1 Pcs.
2b	Screw M4x10		1 Pcs.	20	Shower pipe L1100mm		1 Pcs.
3	Cap decorative	B960473AA	1 Pcs.	20a	Shower pipe L1000mm**		1 Pcs.
3a	Cap decorative	A962227AA	1 Pcs.	21	Slider set	B960976XX	1 Pcs.
4+pos.5	Cap	B960862XX	1 Pcs.	22	Tube		1 Pcs.
5	Screw M43x1.5 M41x1.5		2 Pcs.	23	Rain shower Ø200	A861378XX	1 Set
5a	Screw M43x1.5		1 Pcs.	24	Wallholder	A861389XX	1 Set
6	Hot limit stop	A861181NU	1 Pcs.	25	Shower 1F;100mm;8l/min	B9402XX	1 Pcs.
7	Cartridge Ø38mm-click	B961491NU*	1 Pcs.	26	Flow regulator 8 l/min	B961093NU	1 Pcs.
7a	Three-way diverter	B961214NU	1 Pcs.	27	Sh.hose L1750mm -compl.	B4109XX	1 Pcs.
7b	Ceramic diverter	B961215NU	1 Pcs.	28	S-connections-compl.		1 Set
8	Insert		1 Pcs.	29	Escutcheon-compl.	B961016XX	1 Set
9	O-Ring Ø35x2		4 Pcs.	30	Nipple M19x1.5LH		2 Pcs.
10	Manifold		1 Pcs.	31	O-Ring Ø15.6x1.78		2 Pcs.
10a;10b	Manifold		1 Pcs.	32	Nut G3/4		2 Pcs.
11	O-Ring Ø32x2		1 Pcs.				
12	Screw M5x8		1 Pcs.				
13	Body bath/shower		1 Pcs.				
13a	Body shower		1 Pcs.				
14	O-Ring Ø18.2x1.7	A961640NU	2 Pcs.				