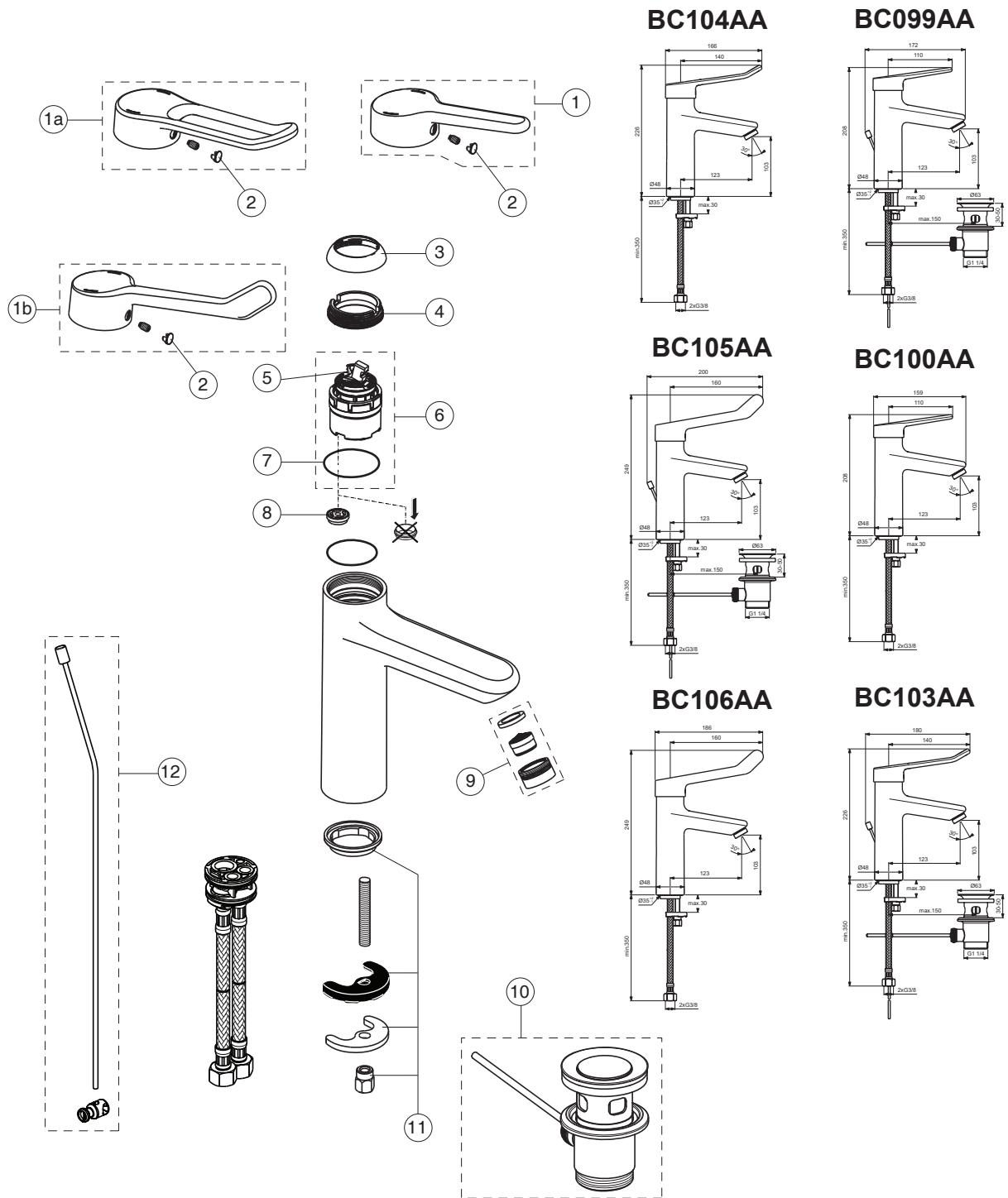




CERAPLUS 2

Ideal Standard



Pos.	Signify	Spare parts-Nr.	Quantity	Pos.	Signify	Spare parts-Nr.	Quantity
1	Lever,w/logo-set	B961435AA	1 Pcs.				
1a	Lever,w/logo-loop	B961436AA	1 Pcs.				
1b	Lever,w/logo-medical	B961437AA	1 Pcs.				
2	Cap decorative	B960473AA	1 Pcs.				
3	Cap M38x1.5	B961438AA	1 Pcs.				
4	Screw M41x1.5/M38x1.5	B961374NU	1 Pcs.				
5	Hot limit stop	A861181NU	1 Pcs.				
6	Cartridge Ø38mm	A861156NU*	1 Set				
7	O-Ring Ø38x2.5	E960059NU*	1 Set				
8	Flow limiter 8.4 l/min	A962966NU	1 Pcs.				
9	Fl.liner vandal proof M24x1	B960587AA	1 Pcs.				
10	Pop-up drain ass.	A962991AA	1 Pcs.				
11	Connecting set	A964520NU	1 Set				
12	Pop up waste-compl.	B961384AA	1 Pcs.				

*Universal set (not all parts needed)