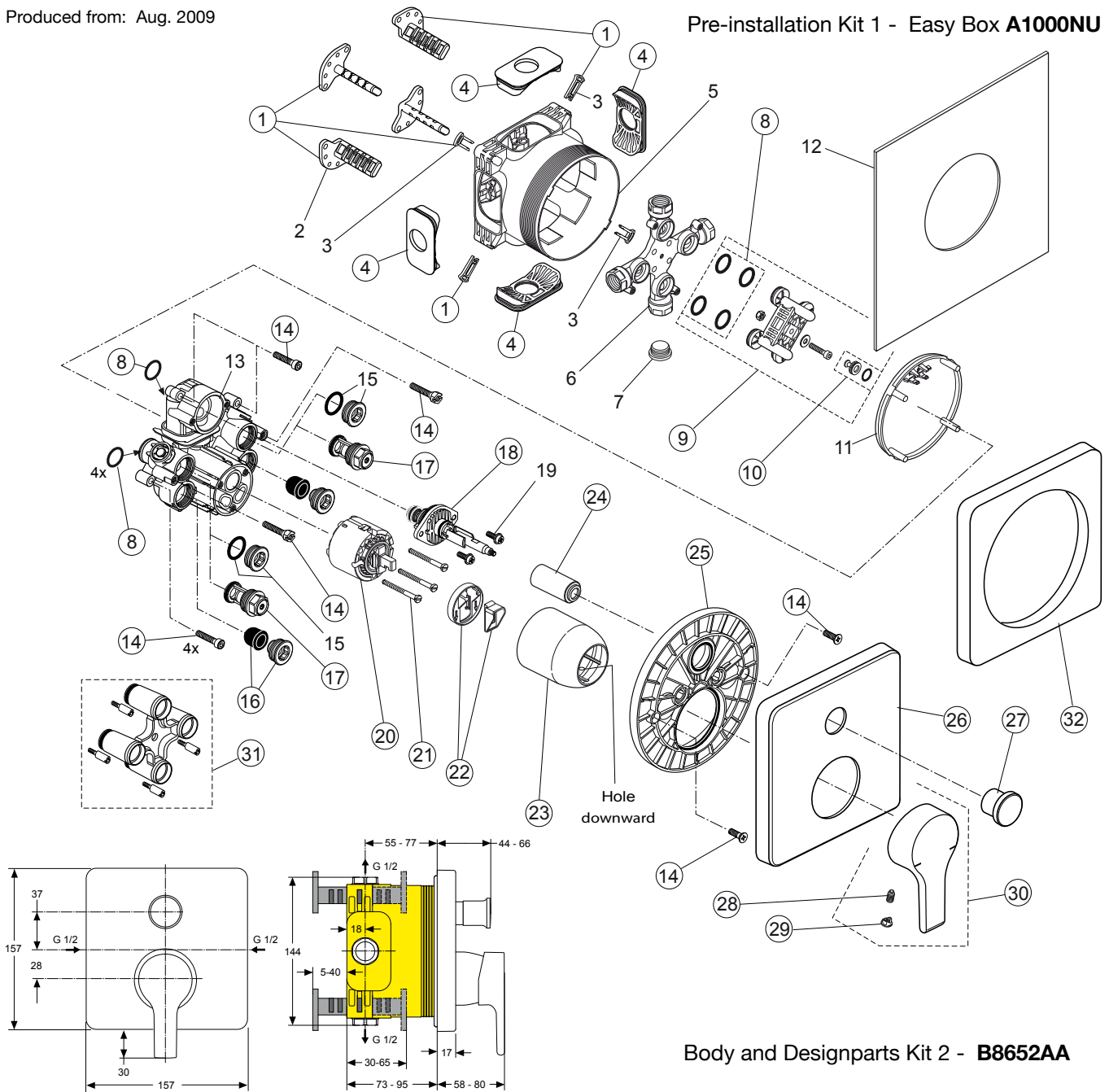


Produced from: Aug. 2009

Pre-installation Kit 1 - Easy Box A1000NU



Body and Designparts Kit 2 - B8652AA

Replace XX with the appropriate finish code

chrome = AA,

Example spare part order:

A 960 893 AA in chrome

Pos.	Description	Part-Number	Qty.	Pos.	Description	Part-Number	Qty.
1	Installation depth adjustment with clips	A 963 131 NU	1 Set	17	Stop valve	A 960 706 NU	2 pcs
2	Depth adjustment device			18	Diverter complete	A 963 443 NU	1 pcs
3	Adjustment lock (contained in pos. 1)			19	Screw M4x12		
4	Side sealing	A 963 132 NU	1 Set	20	Cartridge with pos.22	A 960 500 NU	1 pcs
5	Built-in box			21	Cylindrical screw M4x41,7	A 963 335 NU	3 pcs
6	Multi-way body			22	ECO-kit	A 860 700 NU	1 Set
7	Plug G1/2			23	Cover / Cap for cartridge	A 960 893 XX	1 pcs
8	O-ring Ø 17 x 2,5	A 963 143 NU	1 Set	24	Cover / Cap for diverter	A 960 894 XX	1 pcs
9	Flushing device with Screw, washer + sealing set	A 963 146 NU	1 Set	25	Escutcheon holder compl.	A 960 895 NU	1 Set
10	Plug with o-ring Ø 12x1,5	A 963 147 NU	1 pcs	26	Escutcheon B/S	A 962 394 XX	1 pcs
11	Cover for built-in box			27	Pull knob	A 962 395 XX	1 pcs
12	Sealing fleece			28	Thread pin M5x10 DIN915	A 963 309 NU	1 pcs
13	Body Single lever			29	Handle cap	B 960 473 XX	1 pcs
14	Screw set complete	A 960 890 NU	1 Set	30	Lever compl. with Logo ISI	B 960 672 XX	1 pcs
15	Plug with o-ring			31	Extension kit 20mm	A 960 704 NU	1 Set
16	Low noise insert	A 960 891 NU	1 pcs		Extension kit 40mm	A 962 476 NU	1 Set
				32	Distance frame	A 962 475 XX	1 pcs