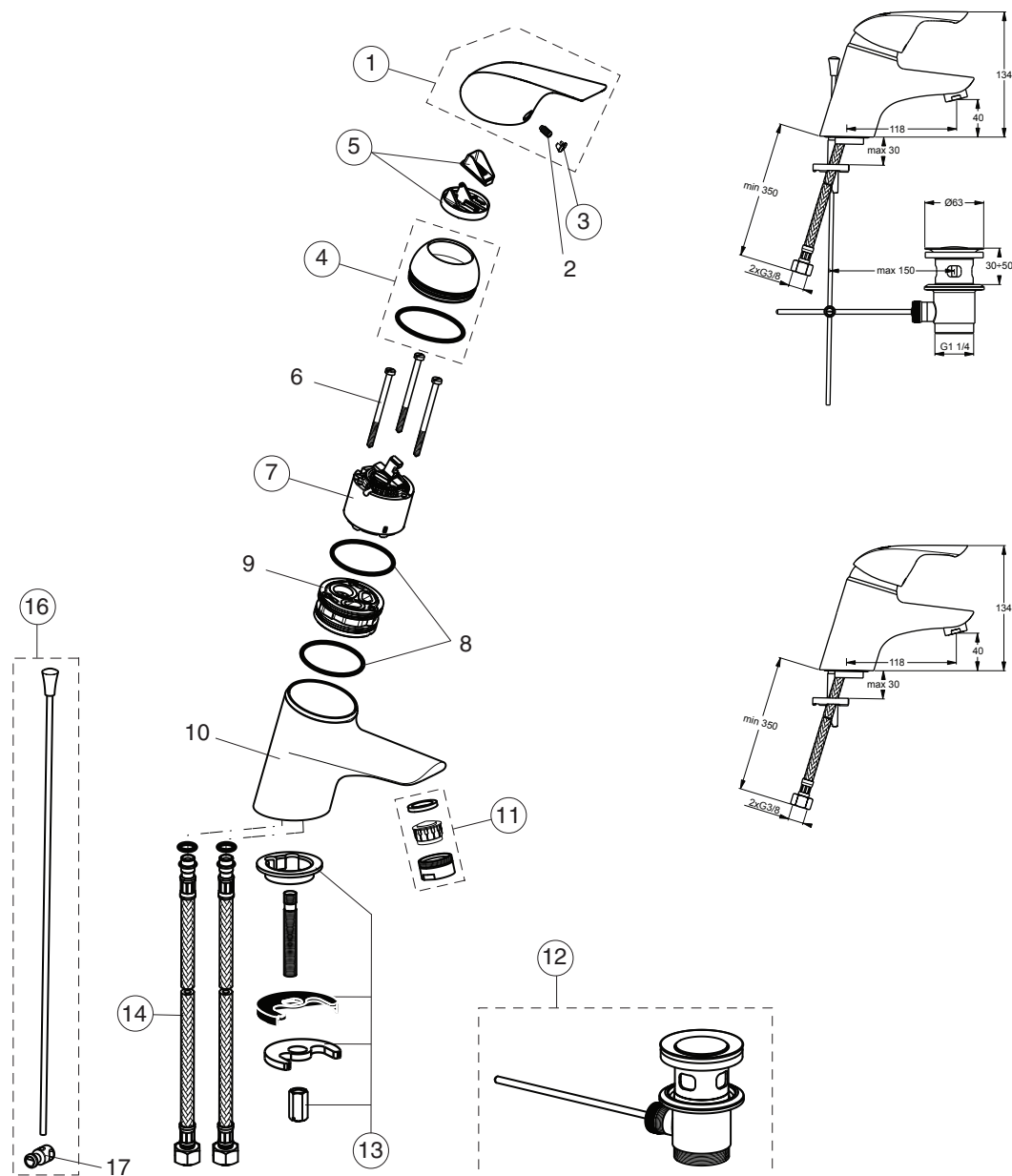


CERAPLAN NEW (B4098AA;B4099AA)



Pos.	Signify	Spare parts-Nr.	Quantity	Pos.	Signify	Spare parts-Nr.	Quantity
1	Lever,w/logo ISI-compl.	B960704AA	1 Pcs.	14	Flex hose F3/8-D10.5 L445mm	A962359NU	1 Pcs.
2	Screw M5x10		1 Pcs.	15	Supply pipe 10.5x10xL419		2 Pcs.
3	Cap(Blue/Red)	A963054NU	1 Pcs.	16	Pull-up rod-compl.	B964883AA	1 Pcs.
4	Rosette-compl.	B960276AA	1 Set	17	Pop up waste shackle		1 Pcs.
5	Volume stop	A860700NU	1 Pcs.				
6	Screw M4x62		3 Pcs.				
7	Cartridge Ø47mm	A960500NU	1 Pcs.				
8	Insert NORYL		1 Pcs.				
9	O-Ring Ø44x2		2 Pcs.				
10	Body basin-half empty		1 Pcs.				
11	Casc.perlator M24x1-A	A960321AA	1 Pcs.				
12	Pop-up waste 1"1/4	B964550AA	1 Pcs.				
13	Connecting set	B960187NU	1 Pcs.				