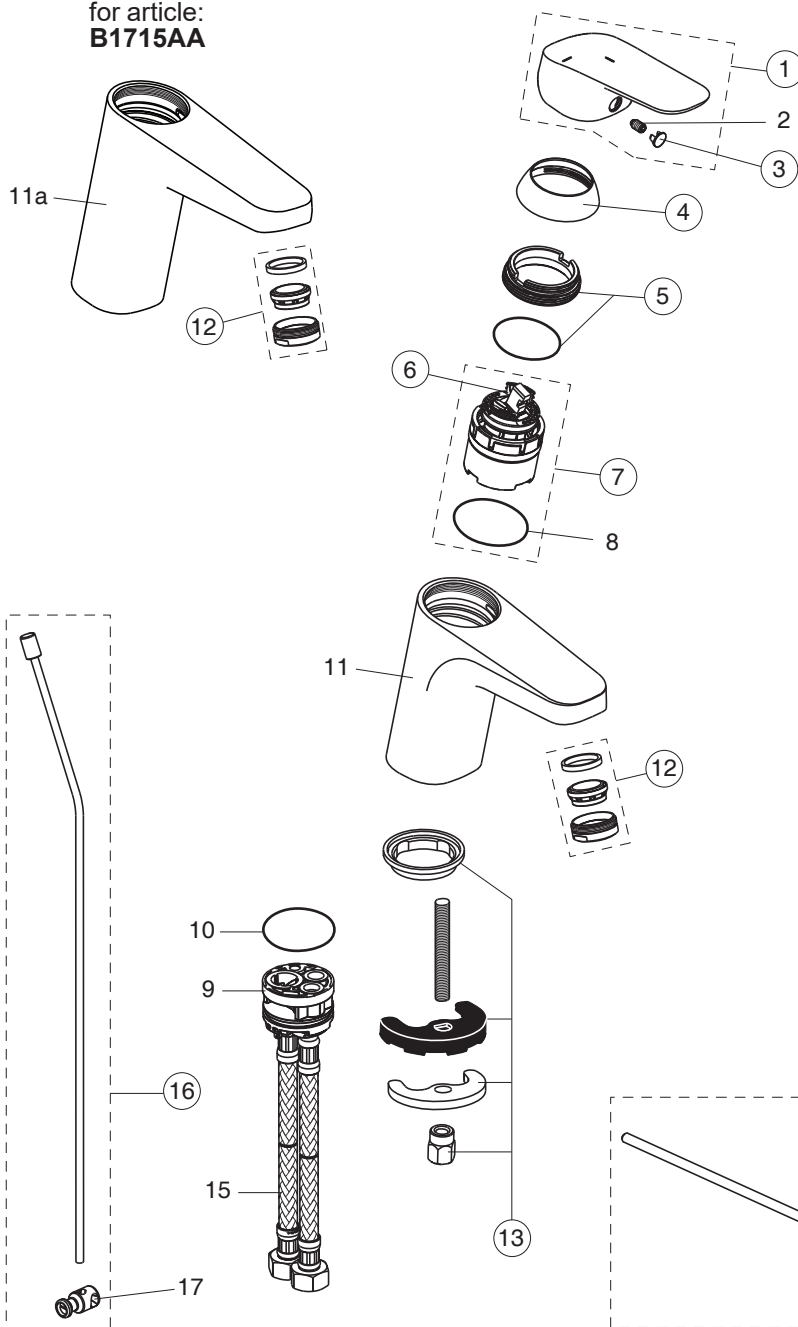
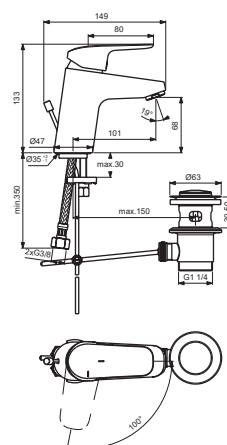


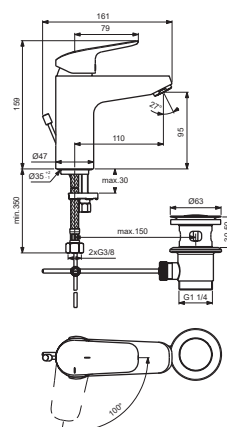
for article:  
**B1715AA**



## B1711AA



## B1715AA



Pos.	Signify	Spare parts-Nr.	Quantity	Pos.	Signify	Spare parts-Nr.	Quantity
1	Lever, w/logo-set-C3	B961377AA	1 Pcs.	14	Pop-up drain ass.	A962991AA	1 Pcs.
2	Screw M5x8		1 Pcs.	15	Flex pexhose G3/8-Ø10.5/L445		2 Pcs.
3	Cap decorative	B960473AA	1 Pcs.	16	Pop up waste-compl.	B961384AA	1 Pcs.
4	Rosette M38x1.5	B961373AA	1 Pcs.	17	Pop up waste shackle		1 Pcs.
5	Screw M41x1.5/M38x1.5	B961374NU	1 Pcs.				
6	Hot limit stop	A861181NU	1 Pcs.				
7	Cartridge Ø38mm	A861156NU*	1 Pcs.				
8	O-Ring Ø38x2.5		1 Pcs.				
9	Manifold-C3		1 Pcs.				
10	O-Ring Ø34x2		1 Pcs.				
11	Body basin		1 Pcs.				
11a	Body basin GRANDE		1 Pcs.				
12	Perlator M24x1-A / 5l/min	B961383AA	1 Pcs.				
13	Connecting set	A964520NU	1 Set				

\*Universal set (not all parts needed)

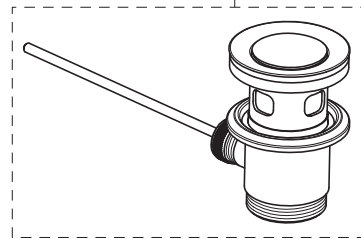
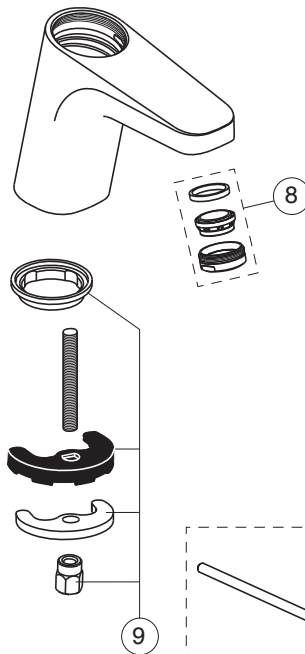
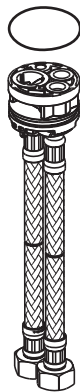
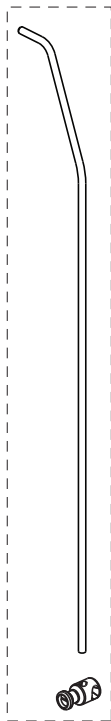
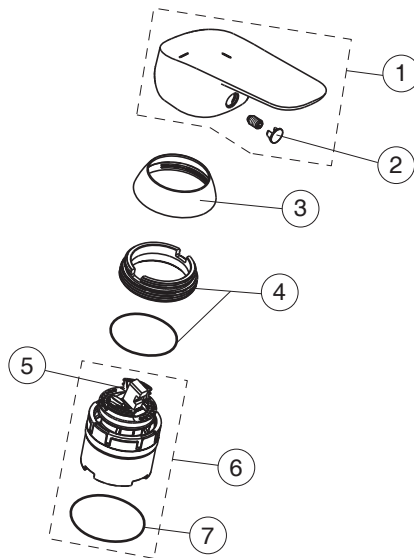
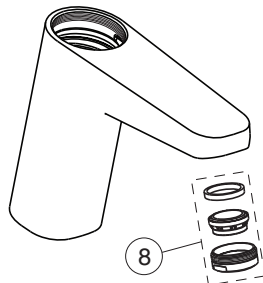


# CERAFLEX

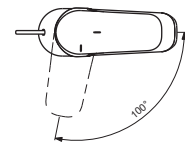
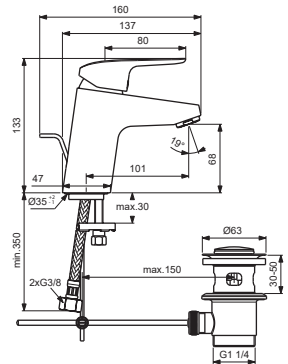
## Ideal Standard

Produced from: Nov.2021

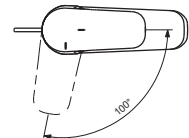
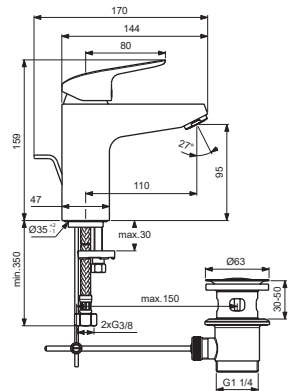
for article:  
**B1715AA**



**B1711AA**



**B1715AA**



Pos.	Signify	Spare parts-Nr.	Quantity	Pos.	Signify	Spare parts-Nr.	Quantity
1	Lever, w/logo-set-C3	B961377AA	1 Set				
2	Cap decorative	B960473AA	1 Pcs.				
3	Rosette M38x1.5	B961373AA	1 Pcs.				
4	Screw M4x1.5/M38x1.5	B961374NU	1 Pcs.				
5	Hot limit stop	A861181NU	1 Pcs.				
6	Cartridge Ø38mm	A861156NU*	1 Pcs.				
7	O-Ring Ø38x2.5	E960059NU*	1 Set				
8	Perlator M24x1-A / 5l/min	B961383AA	1 Pcs.				
9	Connecting set	A964520NU	1 Set				
10	Pop-up drain ass.	A962991AA	1 Set				
11	Pop up waste-compl.	B960900AA	1 Pcs.				

\*Universal set (not all parts needed)