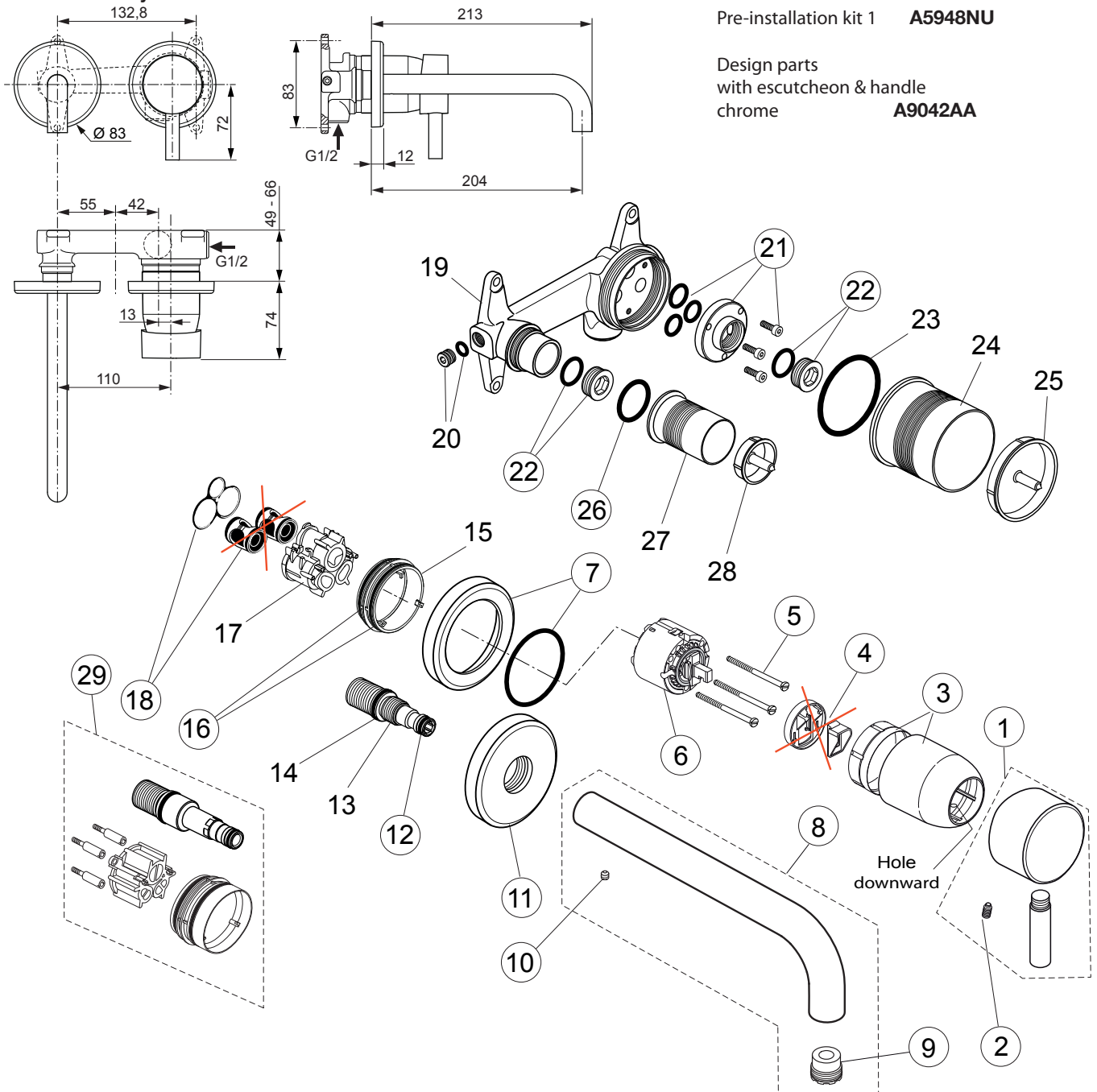


Produced from: **May 2013**

Pre-installation kit 1 **A5948NU**

Design parts with escutcheon & handle chrome **A9042AA**



Replace XX with the appropriate finish code
chrome = AA,

Example spare part order:
A 962 397 AA in chrome

Pos.	Description	Part-Number	Qty.	Pos.	Description	Part-Number	Qty.
1	Lever cpl. with Logo ISI	A 962 397 XX	1 Set	16	O - ring Ø 47,3 x 1,78	A 963 526 NU	2 pcs
2	Thread pin M5x6 / M4x6	A 963 667 NU	1 Set	17	Plastic insert		
3	Cover cap + clamping ring	A 960 893 XX*	1 Set	18	Low noise insert complete	A 963 524 NU	1 Set
4	ECO-kit			19	Body (built-in)		
5	Cylindrical screw M4x69	A 963 783 NU	3 pcs	20	Superior block M10x1	F 960 881 NU	1 Set
6	Cartridge with pos. 4	A 960 500 NU	1 Set	21	Flushing device complete	F 960 881 NU	1 Set
7	Escutcheon Ø83mm with O-ring Ø 53,57 x 3,53	F 960 966 XX	1 Set	22	Plug with o-ring	A 963 548 NU	1 pcs
8	Spout 204mm projection	A 962 274 XX	1 pcs	23	O - ring Ø 54 x 2,5		
9	Aerator M16,5x1	B 960 497 NU	1 Set	24	Plaster guard for cartridge		
10	Thread pin M4x4 DIN916	A 962 270 NU	1 pcs	25	Cover for pos. 24		
11	Escutcheon Ø83mm spout	F 960 967 XX	1 pcs	26	O - ring Ø 26 x 2,5	A 860 845 NU	1 pcs
12	O - ring Ø 10 x 2	A 963 495 NU	2 pcs	27	Plaster guard for spout		
13	Connector spout			28	Cover for pos. 27		
14	O - ring Ø 19 x 2,5			29	Extension kit 20mm longer	F 960 866 NU	1 Set
15	Plastic ring						

* Universal-Set (not all parts needed)