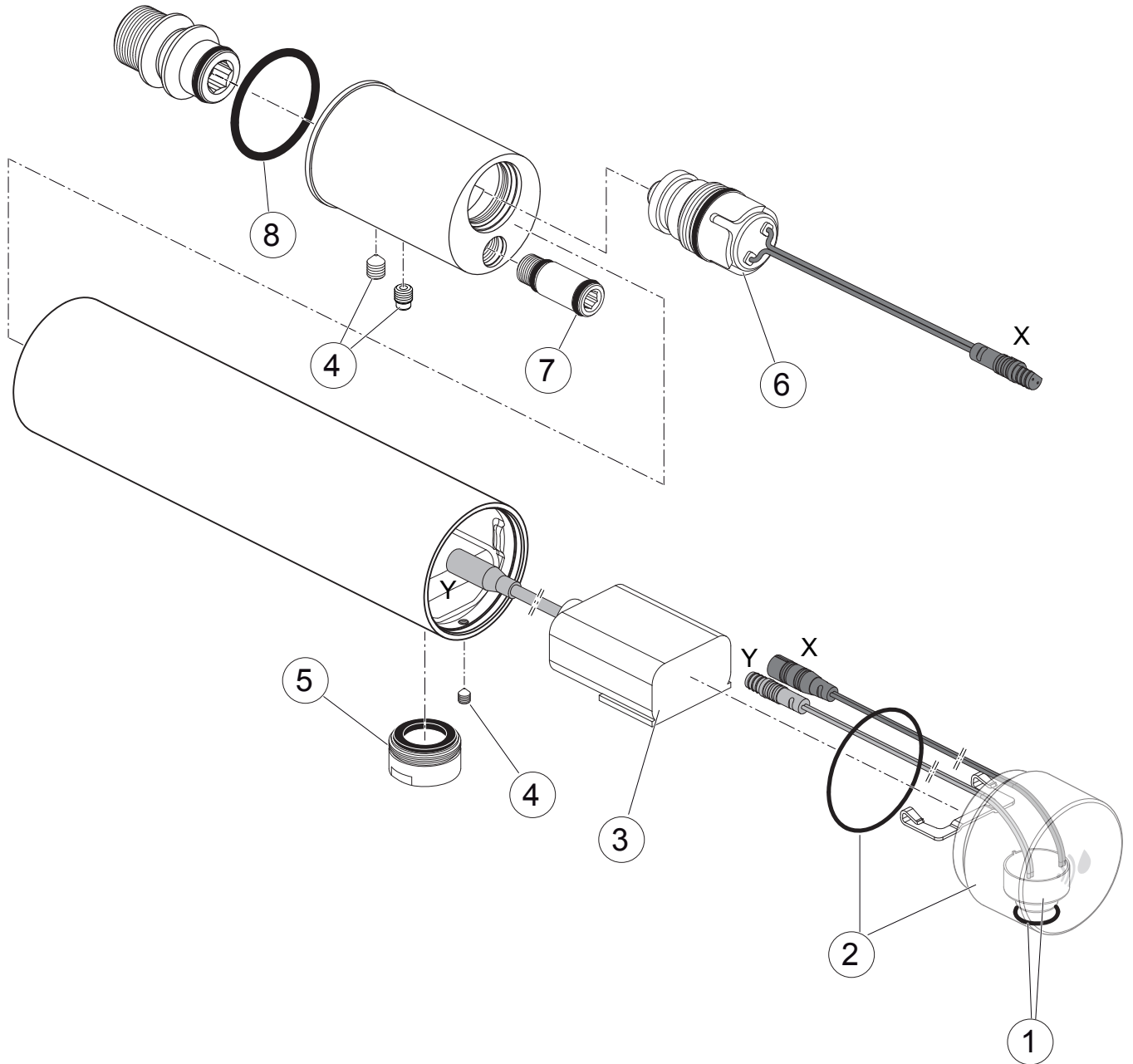
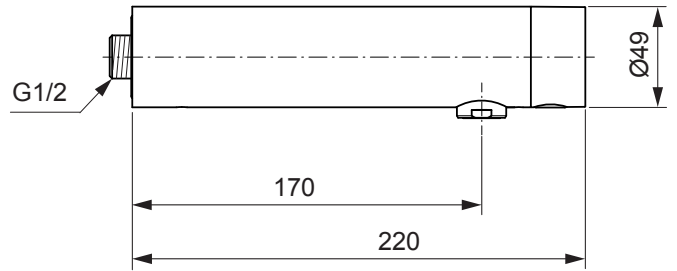


Produced since: **Jan. 2021**

Sensor Spout Electronic
with Battery
Chrome A7560AA



| Pos. | Description | Part-Number | Qty. | Pos. | Description | Part-Number | Qty. |
|------|-----------------------------|----------------------|-------|------|-------------|-------------|------|
| 1 | Sensor cpl. with O-ring | A 861 523 NU | 1 Set | | | | |
| 2 | Cover cap w. laser + O-ring | A 861 524 AA | 1 Set | | | | |
| 3 | Battery case | F 961 038 NU* | 1 Set | | | | |
| | Battery 6V CR-P2 | A 960 161 NU | 1 pcs | | | | |
| 4 | Thread pin set | A 861 525 NU | 1 Set | | | | |
| 5 | Aerator M24x1 - 5ltr/min | B 961 153 AA | 1 pcs | | | | |
| 6 | Solenoidvalve 6V G1/2 | F 961 050 NU* | 1 pcs | | | | |
| 7 | O - ring Ø 12,42 x 1,78 | A 961 459 NU* | 1 Set | | | | |
| 8 | O - ring Ø 33 x 3 | H 961 363 NU | 1 pcs | | | | |

* Universal-Set (not all parts needed)