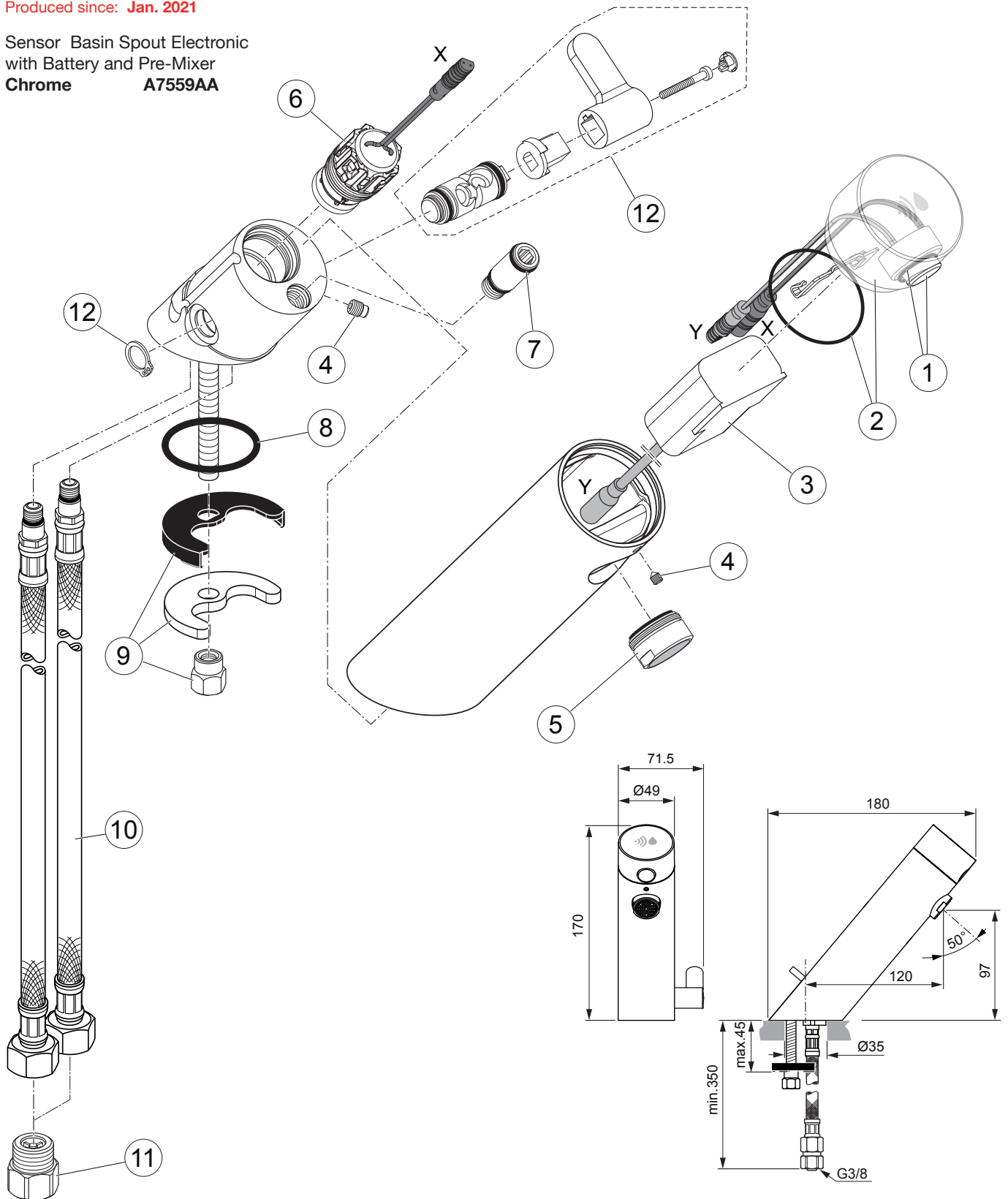


Produced since: **Jan. 2021**

Sensor Basin Spout Electronic
with Battery and Pre-Mixer
Chrome A7559AA



Pos.	Description	Part-Number	Qty.	Pos.	Description	Part-Number	Qty.
1	Sensor cpl. with O-ring	A 861 523 NU	1 Set	9	Fixation set	A 960 401 NU*	1 Set
2	Cover cap w. laser + O-ring	A 861 524 AA	1 Set	10	Flex. hose M10x1/450-G3/8	A 860 794 NU	1 pcs
3	Battery case	F 961 038 NU*	1 Set	11	Check valve G 3/8 cpl.	B 960 844 NU	2 Set
4	Battery 6V CR-P2	A 960 161 NU	1 pcs	12	Pre-Mixer cpl.	A 861 527 AA	1 Set
4	Thread pin set	A 861 525 NU*	1 Set	* Universal-Set (not all parts needed)			
5	Aerator M24x1 - 5ltr/min	B 961 153 AA	1 pcs				
6	Solenoidvalve 6V G1/2	F 961 050 NU*	1 pcs				
7	O - ring Ø 12,42 x 1,78	A 961 459 NU*	1 Set				
8	O - ring Ø 33 x 3	H 961 363 NU	1 pcs				