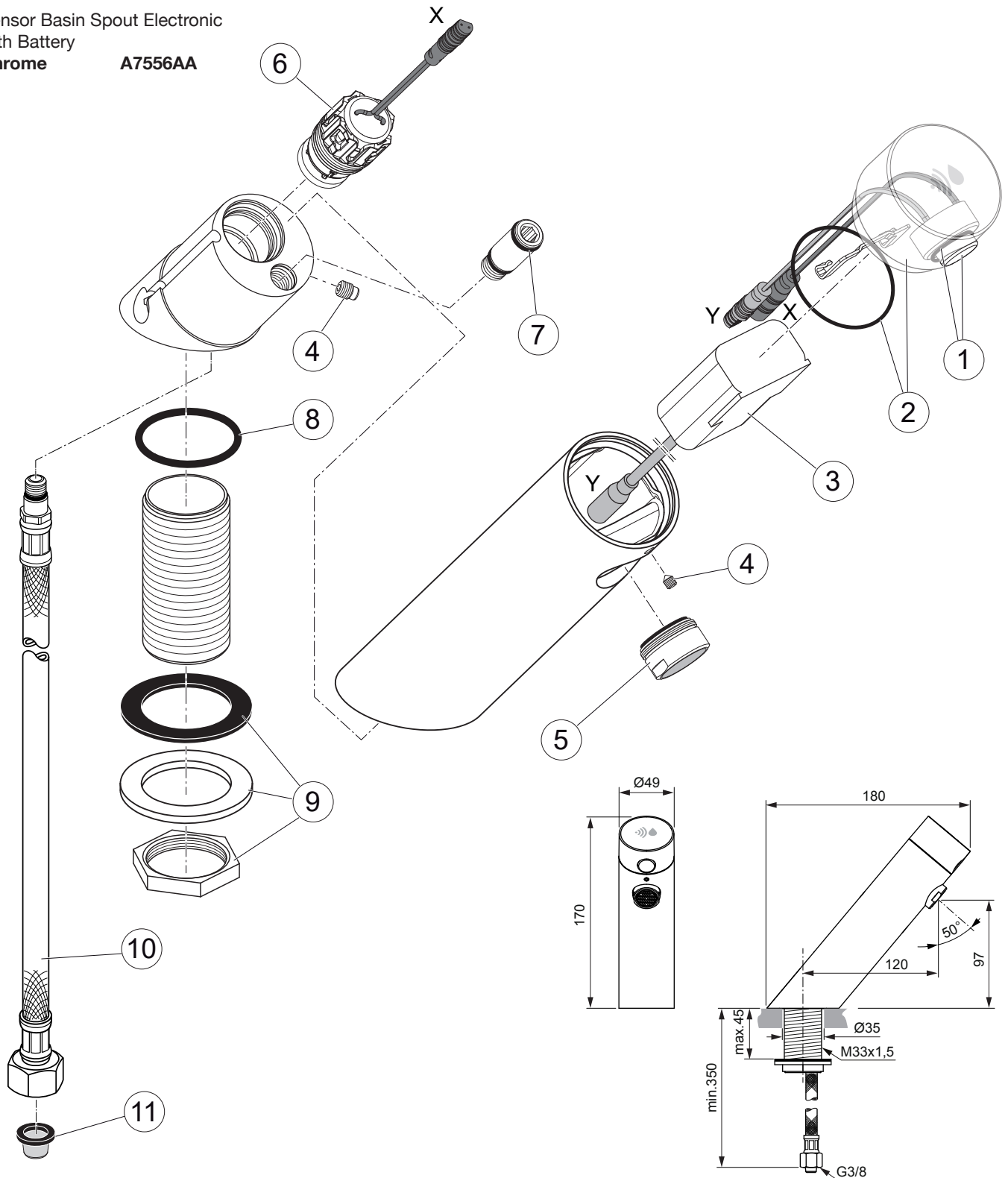


Produced since: **Jan. 2021**

Sensor Basin Spout Electronic  
with Battery  
**Chrome**      **A7556AA**



Pos.	Description	Part-Number	Qty.	Pos.	Description	Part-Number	Qty.
1	Sensor cpl. with O-ring	<b>A 861 523 NU</b>	1 Set	9	Fixation set	<b>A 860 672 NU</b>	1 Set
2	Cover cap w. laser + O-ring	<b>A 861 524 AA</b>	1 Set	10	Flex. hose M10x1/450-G3/8	<b>A 860 794 NU</b>	1 pcs
3	Battery case	<b>F 961 038 NU*</b>	1 Set	11	Strainer Ø15	<b>F 961 032 NU</b>	1 pcs
4	Battery 6V CR-P2	<b>A 960 161 NU</b>	1 pcs	* Universal-Set (not all parts needed)			
4	Thread pin set	<b>A 861 525 NU*</b>	1 Set				
5	Aerator M24x1 - 5ltr/min	<b>B 961 153 AA</b>	1 pcs				
6	Solenoidvalve 6V G1/2	<b>F 961 050 NU*</b>	1 pcs				
7	O - ring Ø 12,42 x 1,78	<b>A 961 459 NU*</b>	1 Set				
8	O - ring Ø 33 x 3	<b>H 961 363 NU</b>	1 pcs				