



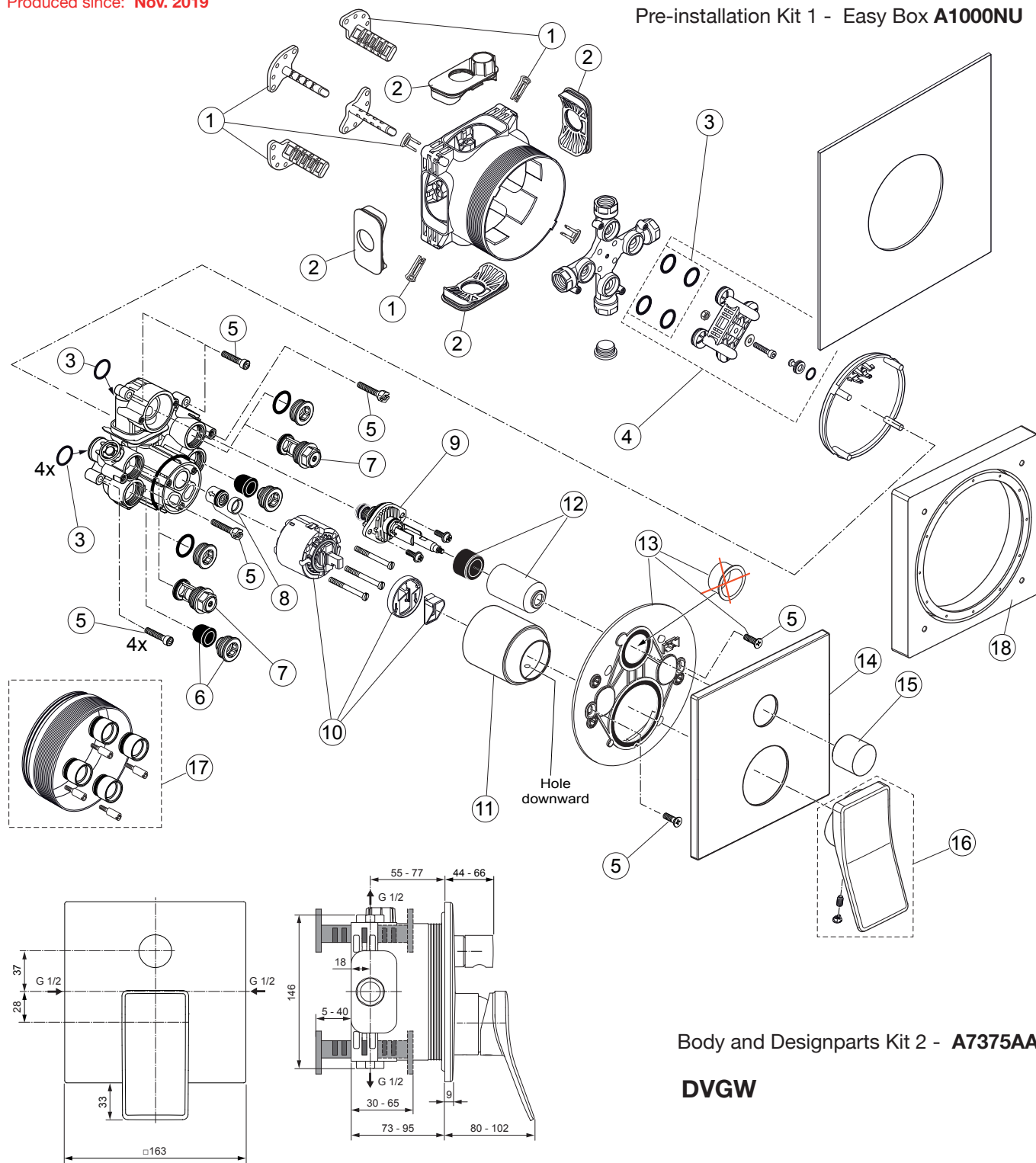
# Check

# A7375..

# Ideal Standard

Produced since: **Nov. 2019**

### Pre-installation Kit 1 - Easy Box A1000NU



### Body and Designparts Kit 2 - A7375AA

### DVGW

Replace XX with the appropriate finish code

Chrome = AA Silver Storm = GN Gold = A2 Magnetic Grey = A5

Example spare part order:

A 861 441 AA in Chrome

Pos.	Description	Part-Number	Qty.	Pos.	Description	Part-Number	Qty.
1	Install. depth adjust.	A 963 131 NU	1 Set	11	Cover cap	A 861 441 XX	1 pcs
2	Side sealing	A 963 132 NU	1 Set	12	Cover / Cap for diverter	A 860 902 XX	1 pcs
3	O-ring Ø 17 x 2,5	A 963 143 NU	1 Set	13	Escutcheon holder cpl.	A 860 897 NU	1 Set
4	Flushing device cpl.	A 963 146 NU	1 Set	14	Escutcheon w Logo	A 861 445 XX	1 pcs
5	Screw set complete	A 960 890 NU*	1 Set	15	Pull knob	A 860 901 XX	1 pcs
6	Low noise insert	A 960 891 NU	1 pcs	16	Lever cpl.	A 861 443 XX	1 Set
7	Stop valve	A 960 706 NU	2 pcs	17	Extension kit 20mm	A 960 704 NU	1 Set
8	Non-return valve + ring	A 962 866 NU	1 Set		Extension kit 40mm	A 962 476 NU	1 Set
9	Diverter complete	A 963 443 NU	1 pcs	18	Distanzframe 20mm	A 861 444 XX	1 Set
10	Cartridge with ECO-kit	A 960 500 NU	1 Set				

\*Universal set (not all parts needed)

Check

Check