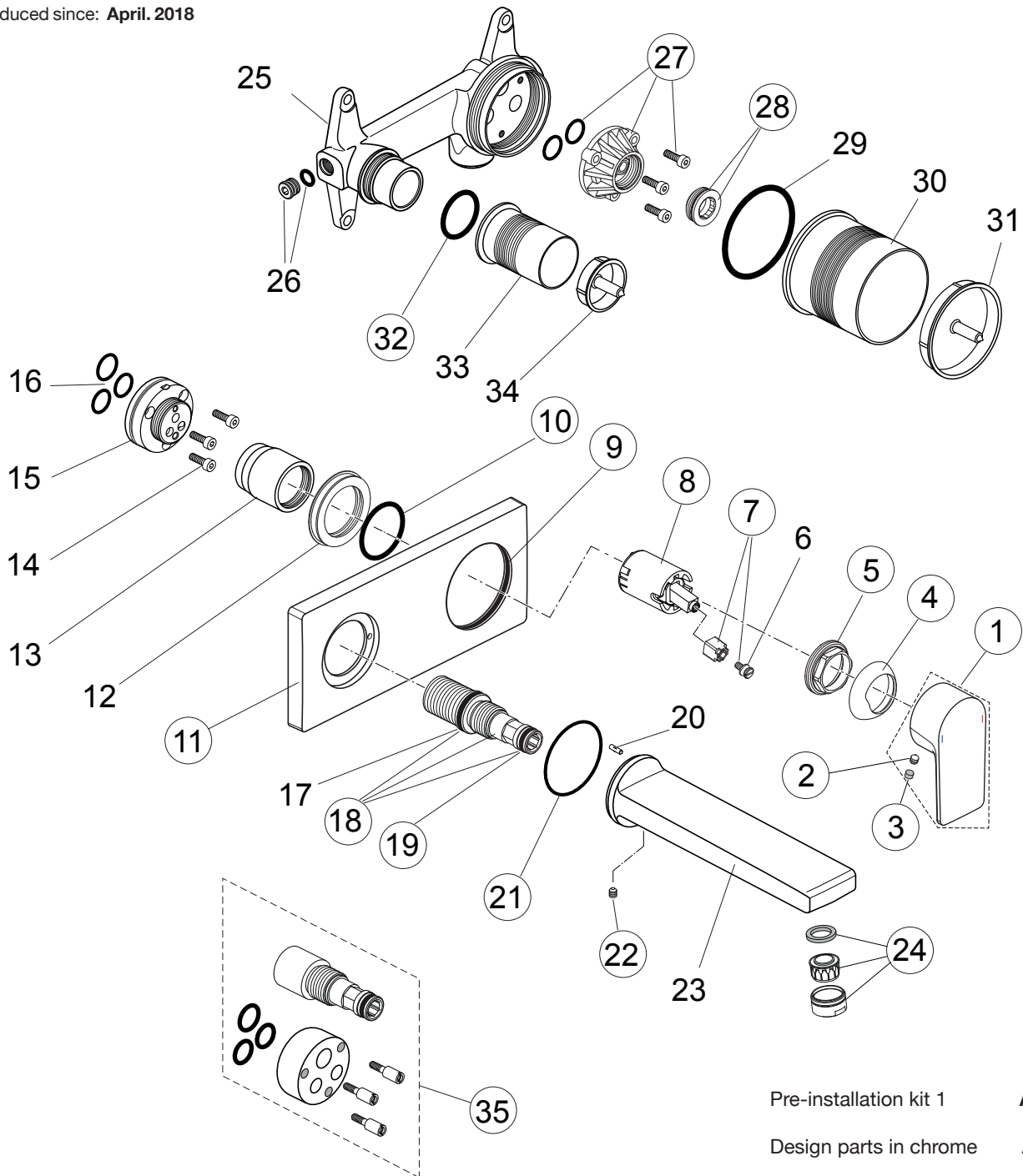


Produced since: April. 2018



Pre-installation kit 1 **A5948NU**

Design parts in chrome **A7116AA**

| Pos. | Description | Part-Number | Qty. | Pos. | Description | Part-Number | Qty. |
|------|-----------------------------|----------------------|-------|------|-----------------------------|---------------------|-------|
| 1 | Lever cpl. marked red/blue | A 861 311 AA | 1 Set | 19 | O - ring Ø 10 x 2 | A 963 495 NU | 2 pcs |
| 2 | Thread pin M5x6 DIN914 | A 860 603 NU | 1 pcs | 20 | Groove pin 3x10 DIN1474 | | |
| 3 | Handle cap | A 963 751 NU | 1 pcs | 21 | O - Ring Ø 41 x 1,78 | A 961 863 NU | 1 pcs |
| 4 | Cover cap | A 861 080 AA | 1 pcs | 22 | Thread pin M5x5 | A 962 625 NU | 3 pcs |
| 5 | Clamping nut M36 x 1 | B 961 087 NU | 1 pcs | 23 | Spout | | |
| 6 | Handle srew M4 | | | 24 | Aerator M24x1-5l/min | B 960 754 AA | 1 pcs |
| 7 | Handle insert + screw | B 961 086 NU | 1 Set | 25 | Body (built-in) | | |
| 8 | Cartridge Kerox Ø28 + Pos 6 | F 960 855 NU | 1 Set | 26 | Superior block M10x1 | | |
| 9 | O - Ring Ø 53,57 x 3,53 | A 962 530 NU* | 1 Set | 27 | Flushing device complete | F 960 881 NU | 1 Set |
| 10 | O - Ring. Ø 40 x 3 | H 962 197 NU* | 1 Set | 28 | Plug with o-ring | A 963 548 NU | 1 Set |
| 11 | Escutcheon | F 960 880 AA | 1 pcs | 29 | O - ring Ø 54 x 2,5 | | |
| 12 | Adapter ring | | | 30 | Plaster guard for cartridge | | |
| 13 | Sleeve | | | 31 | Cover for pos. 34 | | |
| 14 | Cylindrical screw M4 x 12 | | | 32 | O - ring Ø 26 x 2,5 | A 860 845 NU | 1 pcs |
| 15 | Insert | | | 33 | Plaster guard for spout | | |
| 16 | O - ring set | | | 34 | Cover for pos. 37 | | |
| 17 | O - ring Ø 19 x 2,5 | | | 35 | Extension kit 20mm longer | F 960 867 NU | 1 Set |
| 18 | Connector nipple cpl. | A 861 270 AA | 1 Set | | | | |

*Universal set (not all parts needed)