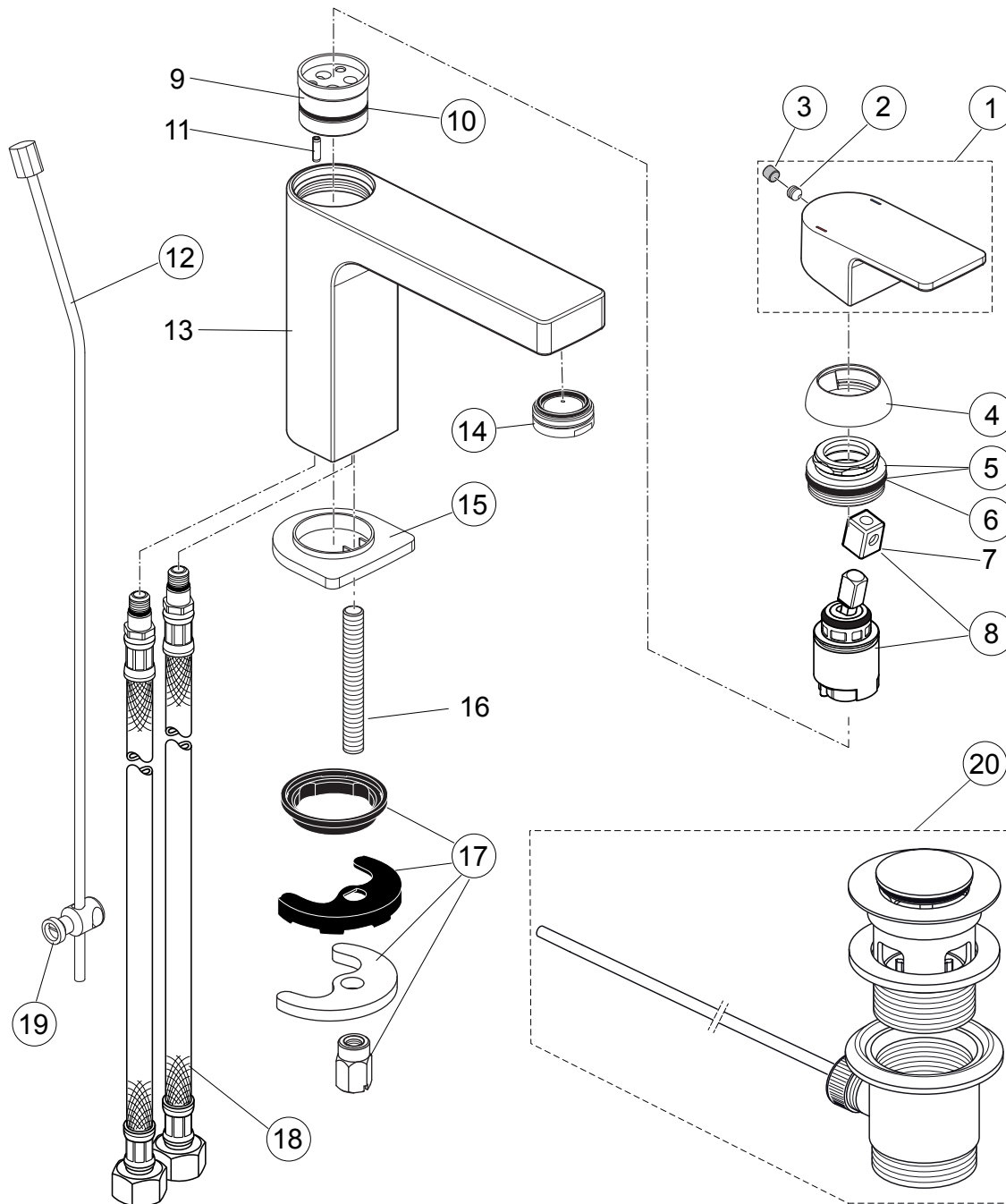
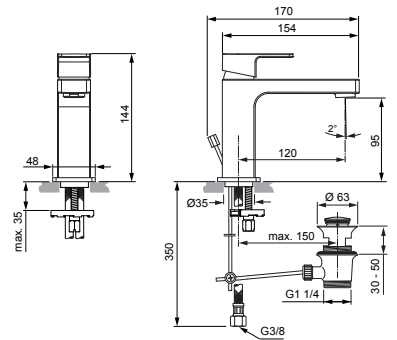


Produced since: **April 2018**

SL basin mixer flex. hose  
with pop-up waste  
chrome **A7101AA**

without pop-up waste  
chrome **A7103AA**



| Pos. | Description                    | Part-Number          | Qty.  | Pos. | Description              | Part-Number          | Qty.  |
|------|--------------------------------|----------------------|-------|------|--------------------------|----------------------|-------|
| 1    | Lever cpl. w. Logo ISI + pos.7 | <b>A 861 294 AA</b>  | 1 Set | 12   | Lift rod cpl. + Pos. 19  | <b>B 961 119 AA</b>  | 1 Set |
| 2    | Thread pin M5x5 DIN916         | <b>A 962 041 NU*</b> | 1 Set | 13   | Body                     |                      |       |
| 3    | Handle plug                    | <b>A 861 223 NU</b>  | 1 pcs | 14   | Aerator M24x1 - 5ltr/min | <b>B 961 383 AA</b>  | 1 pcs |
| 4    | Cover cap                      | <b>A 861 224 AA</b>  | 1 pcs | 15   | Escutcheon               | <b>A 861 295 AA</b>  | 1 pcs |
| 5    | Thread ring M30x1 + pos.6      | <b>A 861 225 NU</b>  | 1 Set | 16   | Bolt M8x63               |                      |       |
| 6    | O - Ring Ø 28 x 2              | <b>A 963 299 NU</b>  | 1 pcs | 17   | Fixation kit             | <b>A 964 520 NU*</b> | 1 Set |
| 7    | Lever adapter                  |                      |       | 18   | Flex. hose M8x1-G3/8-425 | <b>A 962 370 NU</b>  | 1 pcs |
| 8    | Cartridge Kerox Ø25 + Pos.7    | <b>A 861 226 NU</b>  | 1 Set | 19   | Bracket                  | <b>A 961 172 NU</b>  | 1 pcs |
| 9    | Manifold                       |                      |       | 20   | Pop-up waste complete    | <b>B 960 853 AA</b>  | 1 Set |
| 10   | O - Ring Ø 23,52 x 1,78        | <b>A 961 855 NU</b>  | 1 pcs |      |                          |                      |       |
| 11   | Clamping pin                   |                      |       |      |                          |                      |       |

\*Universal set (not all parts needed)