

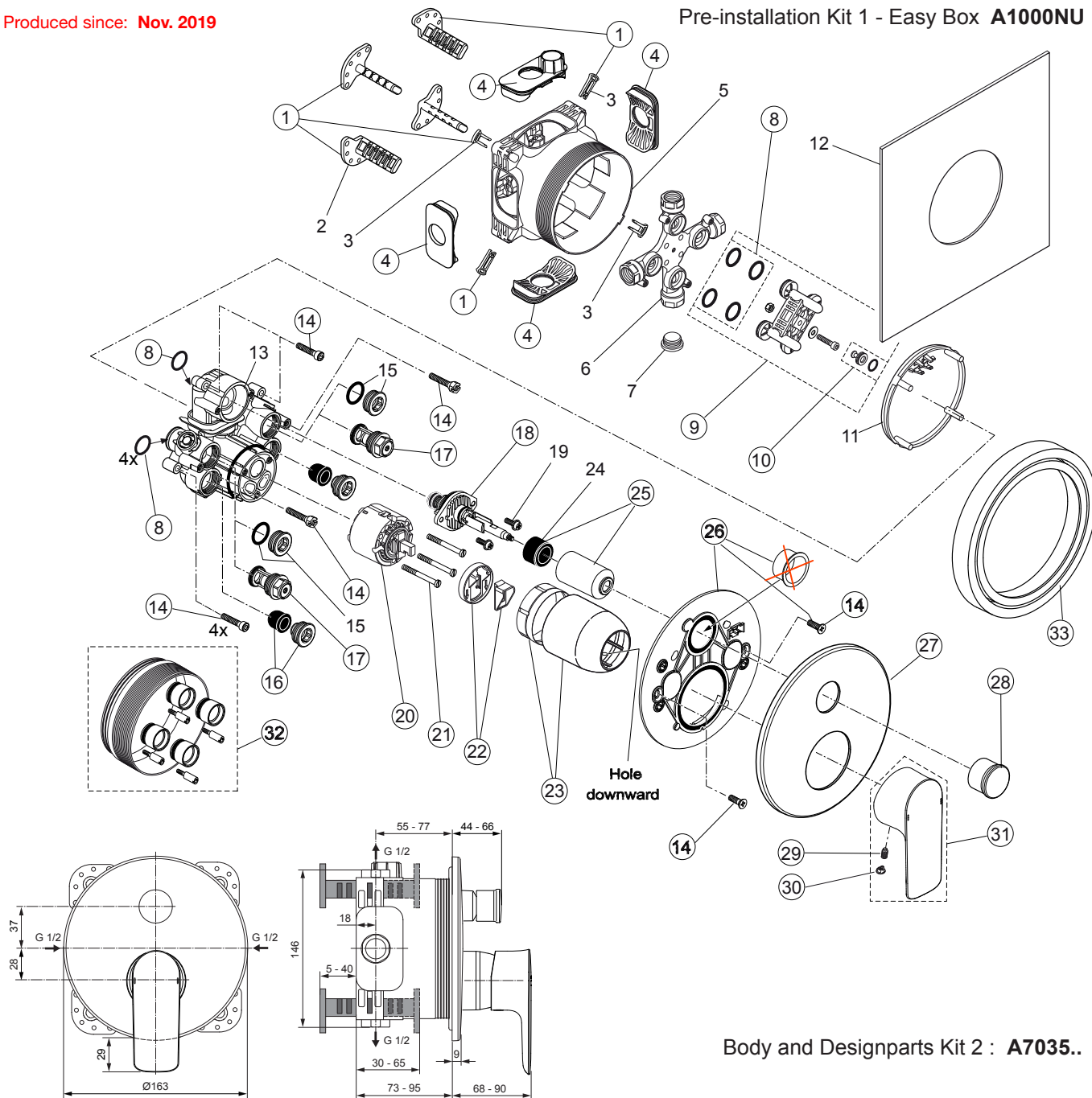


Connect Air A7035..

Ideal Standard

Produced since: **Nov. 2019**

Pre-installation Kit 1 - Easy Box **A1000NU**



Body and Designparts Kit 2 : **A7035..**

Replace **XX** with the appropriate finish code

Chrome = AA Silver Storm = GN Gold = A2 Magnetic Grey = A5

Example spare part order:

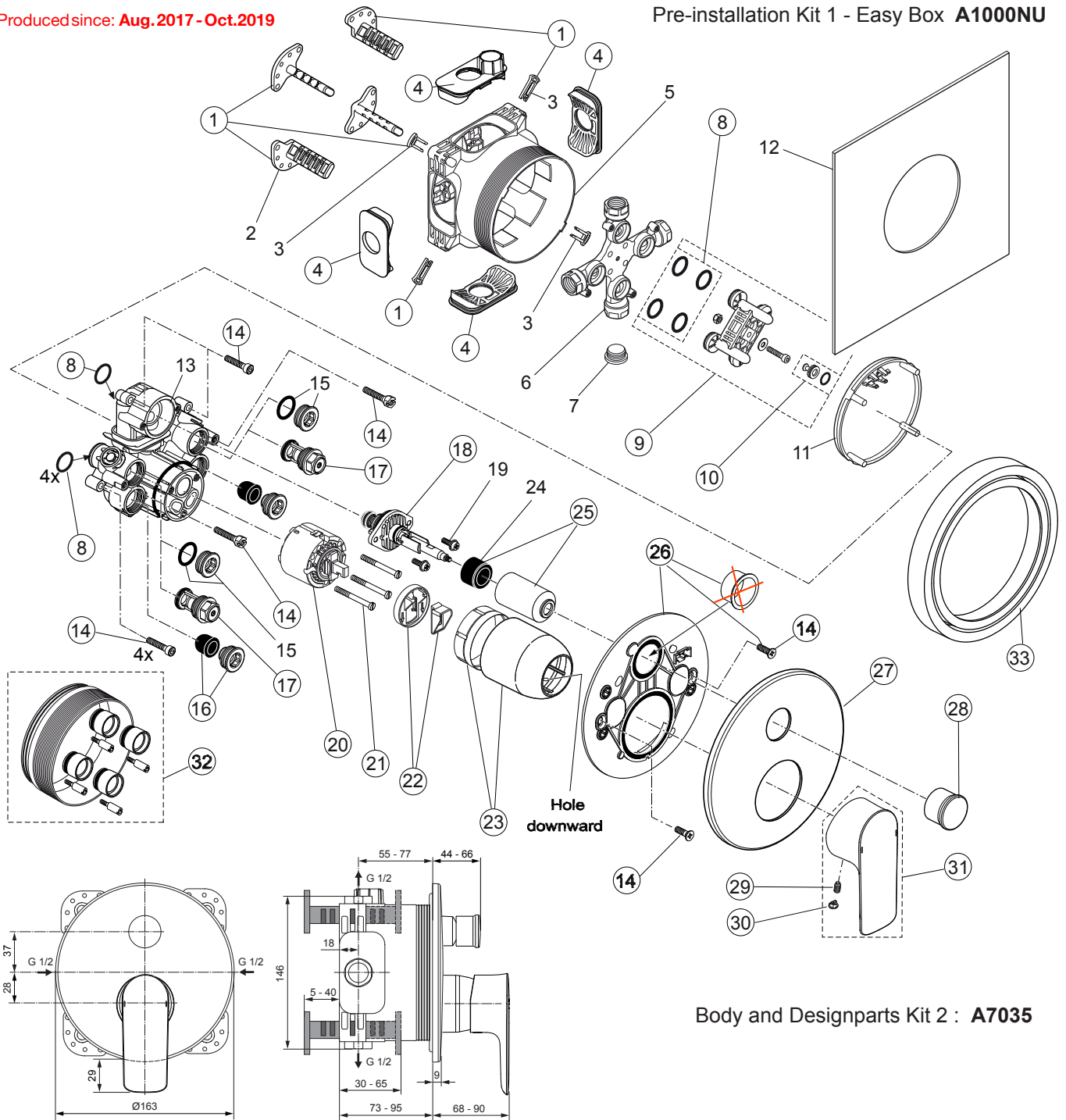
A 960 893 AA in Chrome

| Pos. | Description | Part-Number | Qty. | Pos. | Description | Part-Number | Qty. |
|------|---|----------------------|-------|------|---------------------------|----------------------|-------|
| 1 | Install. depth adjust. + pos.3 | A 963 131 NU | 1 Set | 19 | Screw M4x12 | | |
| 2 | Depth adjustment device | | | 20 | Cartridge with pos.22 | A 960 500 NU | 1 Set |
| 3 | Adjustment lock (contained in pos. 1) | | | 21 | Cylindrical screw M4x41,7 | A 963 335 NU | 3 pcs |
| 4 | Side sealing | A 963 132 NU | 1 Set | 22 | ECO-kit | A 860 700 NU | 1 Set |
| 5 | Built-in box | | | 23 | Cover + clamping + O-ring | A 960 893 XX | 1 Set |
| 6 | Multi-way body | | | 24 | Adapter rubber | | |
| 7 | Plug G1/2 | | | 25 | Cover / Cap for diverter | A 860 902 XX | 1 pcs |
| 8 | O-ring Ø 17 x 2,5 | A 963 143 NU | 1 Set | 26 | Escutcheon holder cpl. | A 860 897 NU | 1 Set |
| 9 | Flushing device cpl. | A 963 146 NU | 1 Set | 27 | Escutcheon B/S w. Logo | A 861 409 XX | 1 pcs |
| 10 | Plug with o-ring Ø 12x1,5 | A 963 147 NU | 1 Set | 28 | Pull knob | A 860 901 XX | 1 pcs |
| 11 | Cover for built-in box | | | 29 | Thread pin M5x10 DIN915 | A 963 309 NU | 1 pcs |
| 12 | Sealing fleece | | | 30 | Cap for handle | A 861 406 NU* | 1 Set |
| 13 | Body Single lever | | | 31 | Lever cpl. | A 861 408 XX | 1 Set |
| 14 | Screw set complete | A 960 890 NU* | 1 Set | 32 | Extension kit 20mm | A 960 704 NU | 1 Set |
| 15 | Plug with o-ring | | | | Extension kit 40mm | A 962 476 NU | 1 Set |
| 16 | Low noise insert | A 960 891 NU | 1 pcs | 33 | Distanzframe 20mm | A 6677 XX | 1 Set |
| 17 | Stop valve | A 960 706 NU | 2 pcs | | | | |
| 18 | Diverter complete | A 963 443 NU | 1 pcs | | | | |

*Universal set (not all parts needed)

Produced since: **Aug.2017 - Oct.2019**

Pre-installation Kit 1 - Easy Box **A1000NU**



Body and Designparts Kit 2 : **A7035**

| Pos. | Description | Part-Number | Qty. | Pos. | Description | Part-Number | Qty. |
|------|---|----------------------|-------|------|---------------------------|---------------------|-------|
| 1 | Install. depth adjust. + pos.3 | A 963 131 NU | 1 Set | 19 | Screw M4x12 | | |
| 2 | Depth adjustment device | | | 20 | Cartridge with pos.22 | A 960 500 NU | 1 Set |
| 3 | Adjustment lock (contained in pos. 1) | | | 21 | Cylindrical screw M4x41,7 | A 963 335 NU | 3 pcs |
| 4 | Side sealing | A 963 132 NU | 1 Set | 22 | ECO-kit | A 860 700 NU | 1 Set |
| 5 | Built-in box | | | 23 | Cover + clamping + O-ring | A 960 893 AA | 1 Set |
| 6 | Multi-way body | | | 24 | Adapter rubber | | |
| 7 | Plug G1/2 | | | 25 | Cover / Cap for diverter | A 860 902 AA | 1 pcs |
| 8 | O-ring Ø 17 x 2,5 | A 963 143 NU | 1 Set | 26 | Escutcheon holder cpl. | A 860 897 NU | 1 Set |
| 9 | Flushing device cpl. | A 963 146 NU | 1 Set | 27 | Escutcheon B/S | A 860 945 AA | 1 pcs |
| 10 | Plug with o-ring Ø 12x1,5 | A 963 147 NU | 1 Set | 28 | Pull knob | A 860 901 AA | 1 pcs |
| 11 | Cover for built-in box | | | 29 | Thread pin M5x10 DIN915 | A 963 309 NU | 1 pcs |
| 12 | Sealing fleece | | | 30 | Cap for handle | B 960 473 AA | 1 pcs |
| 13 | Body Single lever | | | 31 | Lever cpl. w. Logo ISI | A 861 236 AA | 1 Set |
| 14 | Screw set complete | A 960 890 NU* | 1 Set | 32 | Extension kit 20mm | A 960 704 NU | 1 Set |
| 15 | Plug with o-ring | | | | Extension kit 40mm | A 962 476 NU | 1 Set |
| 16 | Low noise insert | A 960 891 NU | 1 pcs | 33 | Distanzframe 20mm | A 6677 AA | 1 Set |
| 17 | Stop valve | A 960 706 NU | 2 pcs | | | | |
| 18 | Diverter complete | A 963 443 NU | 1 pcs | | | | |

*Universal set (not all parts needed)