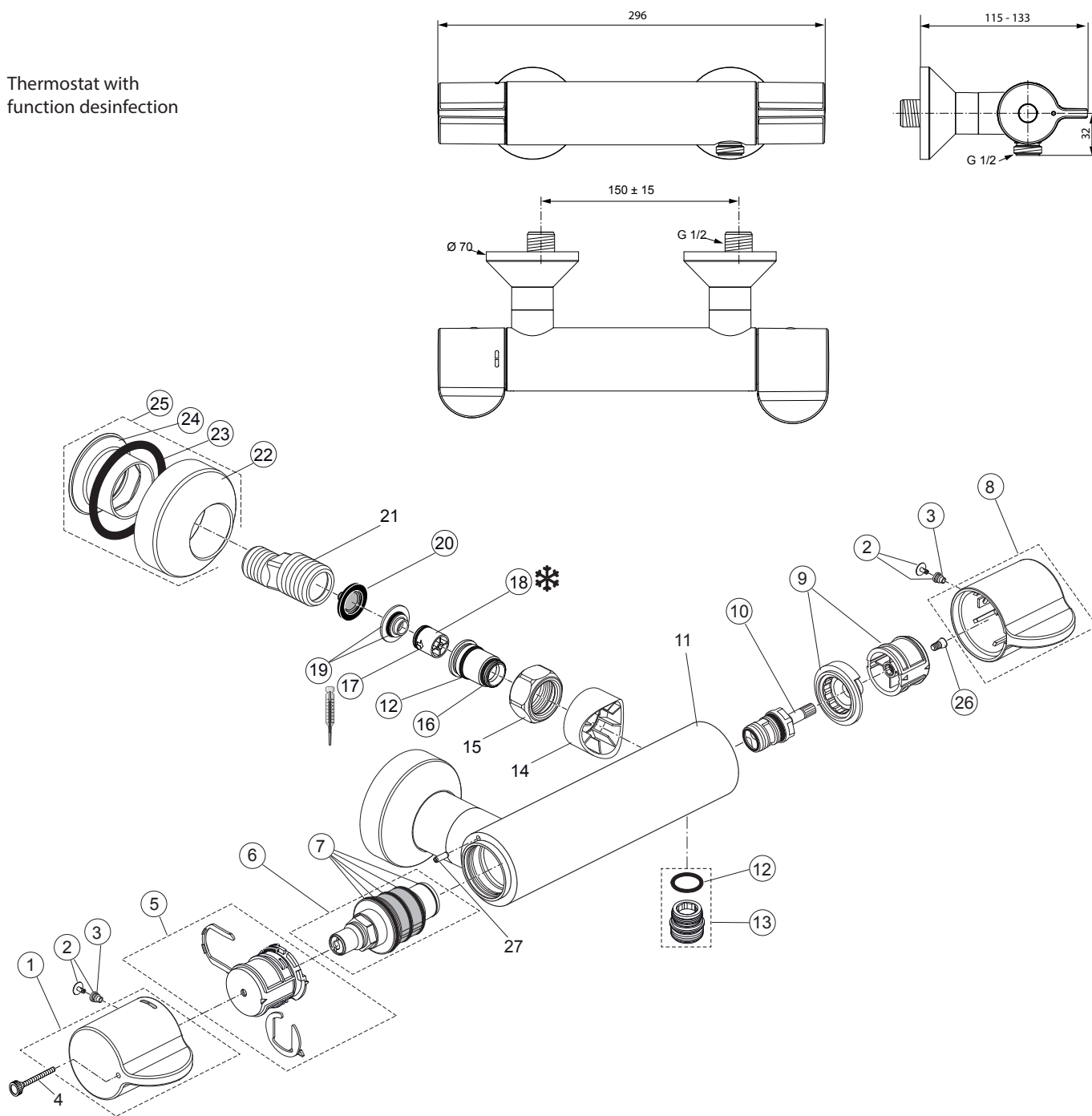


Produced from: April 2017

Thermostat with function desinfection



Pos.	Description	Part-Number	Qty.	Pos.	Description	Part-Number	Qty.
1	Handle for Temp. cpl.	<b>A 861 195 AA</b>	1 Set	15	Coupling nut G3/4 - SW30		
2	Handle cap + screw	<b>A 962 149 AA*</b>	1 pcs	16	O - Ring Ø 14 x 1,78	<b>A 962 605 NU</b>	2 pcs
3	Screw M5x5	<b>A 961 095 NU</b>	1 pcs	17	Non-return valve (Hot water)	<b>N 042 977 NU</b>	1 pcs
4	Knurled head screw M3x30			18	Non-return valve (Cold water)	<b>F 960 942 NU</b>	1 pcs
5	Temp. adjustment cpl.	<b>A 963 427 NU</b>	1 Set	19	Isolation ring	<b>A 861 197 NU</b>	2 pcs
6	Thermostatic Cartridge	<b>A 962 229 NU</b>	1 pcs	20	Strainer (screen)	<b>A 962 595 NU</b>	2 pcs
7	Repair-Set Cartridge	<b>A 962 230 NU</b>	1 Set	21	S-connector		
8	Volume control handle cpl.	<b>A 861 196 AA</b>	1 Set	22	Escutcheon	<b>A 960 599 AA</b>	1 pcs
9	Handle insert + stopring	<b>A 963 432 NU</b>	1 Set	23	O-ring Ø 53,5 x 5	<b>A 963 840 NU</b>	1 pcs
10	Cartridge G1/2 90° le.op.	<b>A 963 033 NU</b>	1 pcs	24	Escutcheon inside	<b>A 963 838 AA</b>	1 pcs
11	Body			25	Escutcheon cpl.	<b>B 960 365 AA</b>	2 Set
12	O - ring Ø 17 x 2	<b>A 961 810 NU</b>	2 pcs	26	Screw M4	<b>A 961 337 NU</b>	1 pcs
13	Nipple complete G1/2	<b>A 963 651 NU</b>	1 pcs	27	Pin 3x10mm DIN 1474		
14	Escutcheon						

\* Universal-Set (not all parts needed)