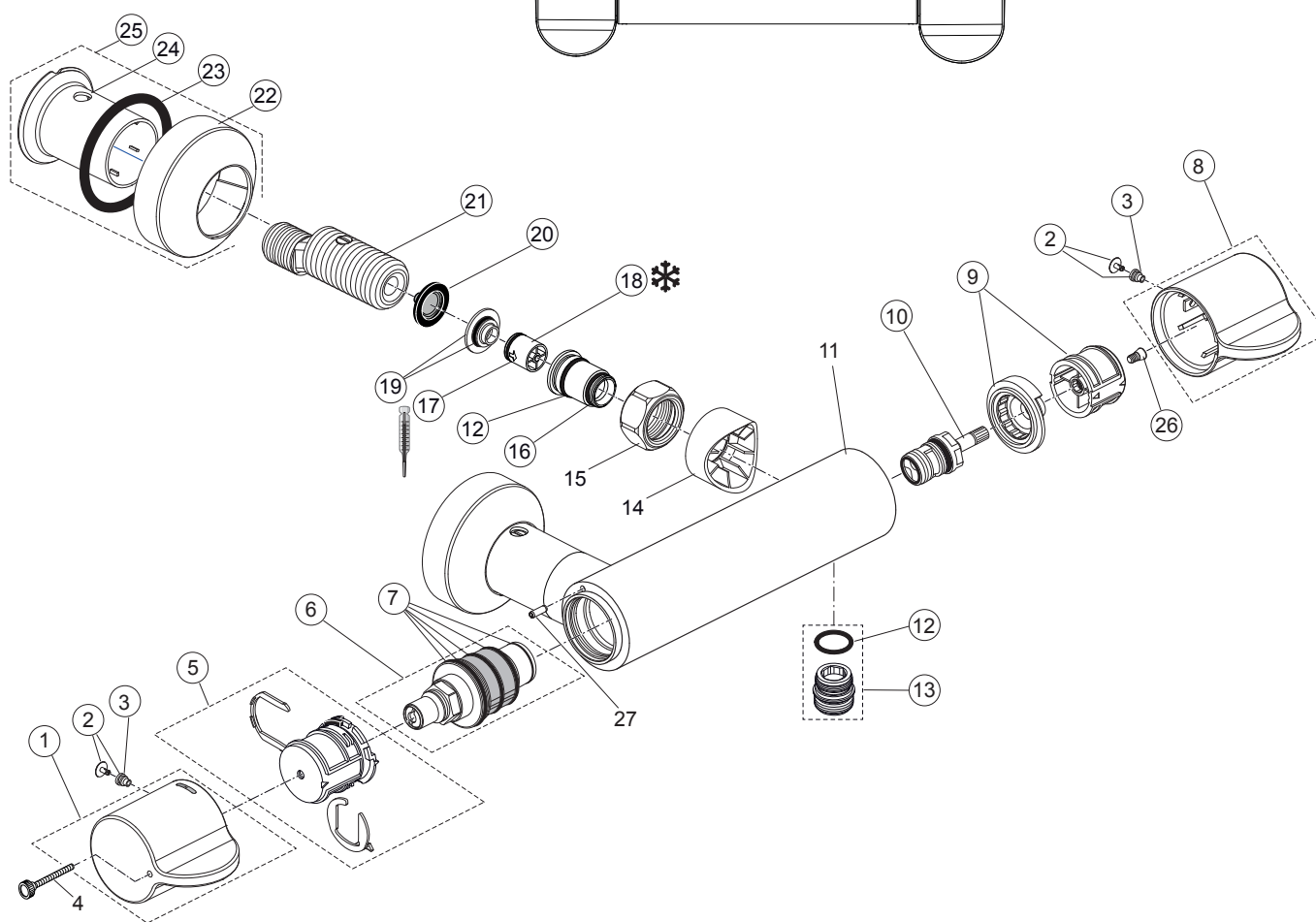
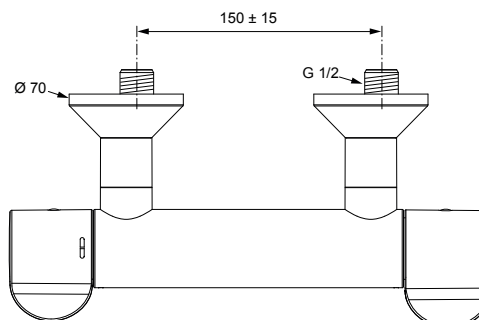
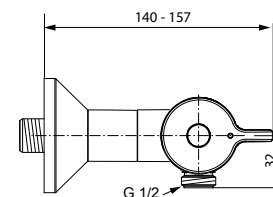
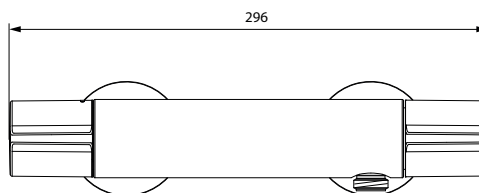


Produced from: **April 2017**

Thermostat with
function desinfection
with on/off S-connector



Pos.	Description	Part-Number	Qty.	Pos.	Description	Part-Number	Qty.
1	Handle for Temp. cpl.	A 861 195 AA	1 Set	15	Coupling nut G3/4 - SW30		
2	Handle cap + screw	A 962 149 AA*	1 pcs	16	O - Ring Ø 14 x 1,78	A 962 605 NU	2 pcs
3	Screw M5x5	A 961 095 NU	1 pcs	17	Non-return valve (Hot water)	F 960 942 NU	1 pcs
4	Knurled head screw M3x30			18	Non-return valve (Cold water)	N 042 977 NU	1 pcs
5	Temp. adjustment cpl.	A 963 427 NU	1 Set	19	Isolation ring	A 861 197 NU	2 pcs
6	Thermostatic Cartridge	A 962 229 NU	1 pcs	20	Strainer (screen)	A 962 595 NU	2 pcs
7	Repair-Set Cartridge	A 962 230 NU	1 Set	21	On/off S-connector	B 960 607 AT	1 pcs
8	Volume control handle cpl.	A 861 196 AA	1 Set	22	Escutcheon	A 960 599 AA	1 pcs
9	Handle insert + stopring	A 963 432 NU	1 Set	23	O-ring Ø 53,5 x 5	A 963 840 NU	1 pcs
10	Cartridge G1/2 90° le.op.	A 963 033 NU	1 pcs	24	Escutcheon inside	A 961 927 AA	1 pcs
11	Body			25	Escutcheon cpl.	B 960 575 AA	2 Set
12	O - ring Ø 17 x 2	A 961 810 NU	2 pcs	26	Srew M4	A 961 337 NU	1 pcs
13	Nipple complete G1/2	A 963 651 NU	1 pcs	27	Pin 3x10mm DIN 1474		
14	Escutcheon						

* Universal-Set (not all parts needed)