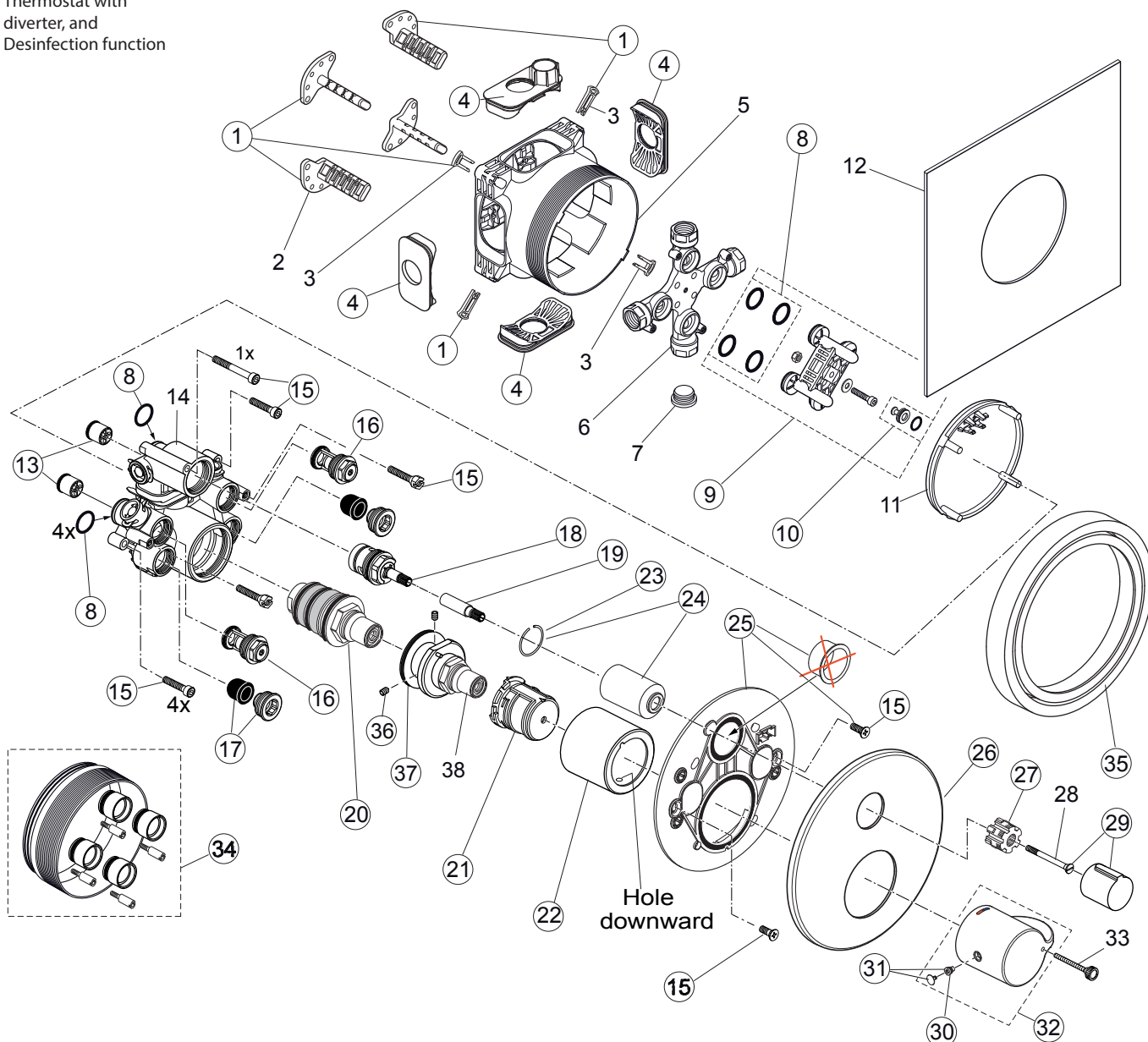


Produced from: March 2017

Pre-installation Kit 1 - Easy Box A1000NU

Thermostat with diverter, and Desinfection function



## Body and Designparts Kit 2 - A6868AA

Pos.	Description	Part-Number	Qty.	Pos.	Description	Part-Number	Qty.
1	Install. depth adjust. + pos.3	<b>A 963 131 NU</b>	1 Set	21	Temp. adjustment cpl.	<b>A 961 889 NU</b>	1 Set
2	Depth adjustment device			22	Cover / Cap for Temp.	<b>A 962 391 AA</b>	1 pcs
3	Adjustment lock ( contained in pos. 1 )			23	Snap ring	<b>A 962 368 NU</b>	1 pcs
4	Side sealing	<b>A 963 132 NU</b>	1 Set	24	Cover / Cap for Volume	<b>A 860 906 AA</b>	1 Set
5	Built-in box			25	Escutcheon holder cpl.	<b>A 860 897 NU</b>	1 Set
6	Multi-way body			26	Escutcheon B/S plane	<b>A 861 208 AA</b>	1 pcs
7	Plug G1/2			27	Handle adapter	<b>A 961 659 NU</b>	1 pcs
8	O-ring Ø 17 x 2,5	<b>A 963 143 NU</b>	1 Set	28	Screw for handle fixation		
9	Flushing device cpl.	<b>A 963 146 NU</b>	1 Set	29	Volume control handle	<b>A 962 388 AA</b>	1 pcs
10	Plug with o-ring Ø 12x1,5	<b>A 963 147 NU</b>	1 pcs	30	Spigot screw M5x5	<b>A 961 095 NU</b>	1 pcs
11	Cover for built-in box			31	Cap + Screw	<b>A 962 149 AA</b>	1 Set
12	Sealing fleece			32	Handle for Temp. cpl.	<b>A 861 195 AA</b>	1 Set
13	Non-return valve DW15	<b>A 962 594 NU</b>	2 pcs	33	Knurled head screw M3x30 (contained in Pos.35)		
14	Body Thermostat			34	Extension kit 20mm	<b>A 960 704 NU</b>	1 Set
15	Screw set complete	<b>A 960 890 NU*</b>	1 Set		Extension kit 40mm	<b>A 962 476 NU</b>	1 Set
16	Stop valve	<b>A 860 904 NU</b>	2 pcs	35	Distanzframe 20mm	<b>A 6677 AA</b>	1 Set
17	Low noise insert	<b>A 960 891 NU</b>	1 pcs	36	Thread pin M5x8 DIN914	<b>B 964 695 NU</b>	1 pcs
18	Headwork G3/4 - 90°	<b>A 960 898 NU</b>	1 pcs	37	O-ring Ø 45 x 2	<b>A 961 743 NU</b>	1 Set
19	Extension / handle adapt.	<b>A 960 899 NU</b>	1 pcs	38	Extension with stop		
20	Cartridge thermostat G3/4	<b>A 963 564 NU</b>	1 Set				

\*Universal set (not all parts needed)