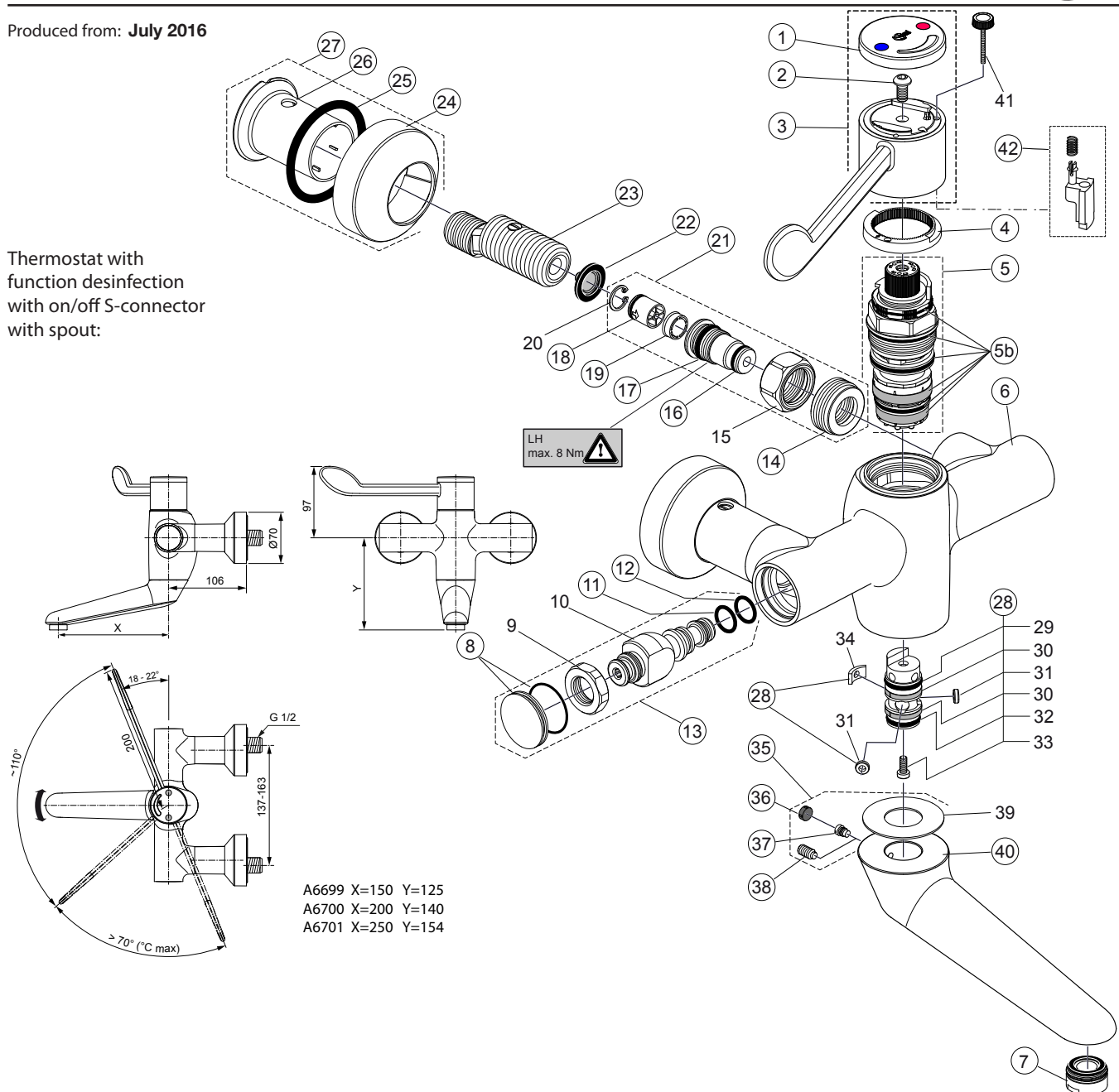


Ceraplus 2 A 6699 .. A 6700 .. A 6701 ..



Produced from: July 2016

Thermostat with function desinfection with on/off S-connector with spout:



A6699 X=150 Y=125
 A6700 X=200 Y=140
 A6701 X=250 Y=154

Pos.	Description	Part-Number	Qty.	Pos.	Description	Part-Number	Qty.
1	Cap for handle w. Logo ISI	A 861 120 AA	1 pcs	23	On/off S-connector	B 960 607 AT	1 pcs
2	Screw M6 x 12	A 961 950 NU	1 pcs	24	Escutcheon	A 960 599 AA	1 pcs
3	Handle cpl. w. Logo ISI	A 861 121 AA	1 Set	25	O-ring Ø 53,5 x 5	A 963 840 NU	1 pcs
4	Stopring	A 861 122 NU	1 pcs	26	Escutcheon inside	A 961 927 AA	1 pcs
5	Sequential therm. cartridge	A 861 123 NU	1 pcs	27	Escutcheon cpl.	B 960 575 AA	2 Set
5b	Repair-Set Cartridge	A 861 166 NU	1 Set	28	Sealing set for nipple	B 960 574 NU	1 Set
6	Body			29	O - ring Ø 17 x 2		
7	Aerator M24x1 with key	A 963 702 AA*	1 Set	30	Sliding ring		
8	Cap w. o - ring Ø 30 x 2	A 861 124 AA	1 Set	31	Roller		
9	Threaded nut M18x1,5			32	O - ring Ø 15 x 2		
10	Sleeve			33	Screw M4 x 10 DIN 84		
11	O - ring Ø 13 x 2	A 861 101 NU	2 pcs	34	Stopper 90°		
12	O - ring Ø 11 x 2	A 960 942 NU	2 pcs	35	Fixation kit for Spout	B 960 573 NU	1 Set
13	Side sleeve cpl.	A 861 125 AA	1 Set	36	Rubber cap	B 960 583 NU	1 pcs
14	Inlet insulator	A 861 126 NU	1 pcs	37	Screw M5x 5,5	A 961 183 NU	1 pcs
15	Coupling nut G3/4 - SW30			38	Screw pin (f. spout locking)	A 963 309 NU	1 pcs
16	O - Ring Ø 12,42 x 1,78	A 961 332 NU	2 pcs	39	Sliding ring		
17	O - ring Ø 17 x 2	A 961 810 NU	2 pcs	40	Spout 150mm	B 960 679 AA	1 pcs
18	Non-return valve	F 960 942 NU	1 pcs		Spout 200mm	B 960 680 AA	1 pcs
19	Flow regulator 5,0 l/min	A 861 127 NU	1 pcs		Spout 250mm	B 960 681 AA	1 pcs
20	Lock ring			41	Knurled head screw M3x30 (included in pos.3)		
21	Seat M20 x 1 left thread cpl.	A 861 128 NU	1 Set	42	Disinfection interlock cpl.	A 861 276 NU	1 Set
22	Strainer (screen)	A 962 595 NU	2 pcs				

* Universal-Set (not all parts needed)