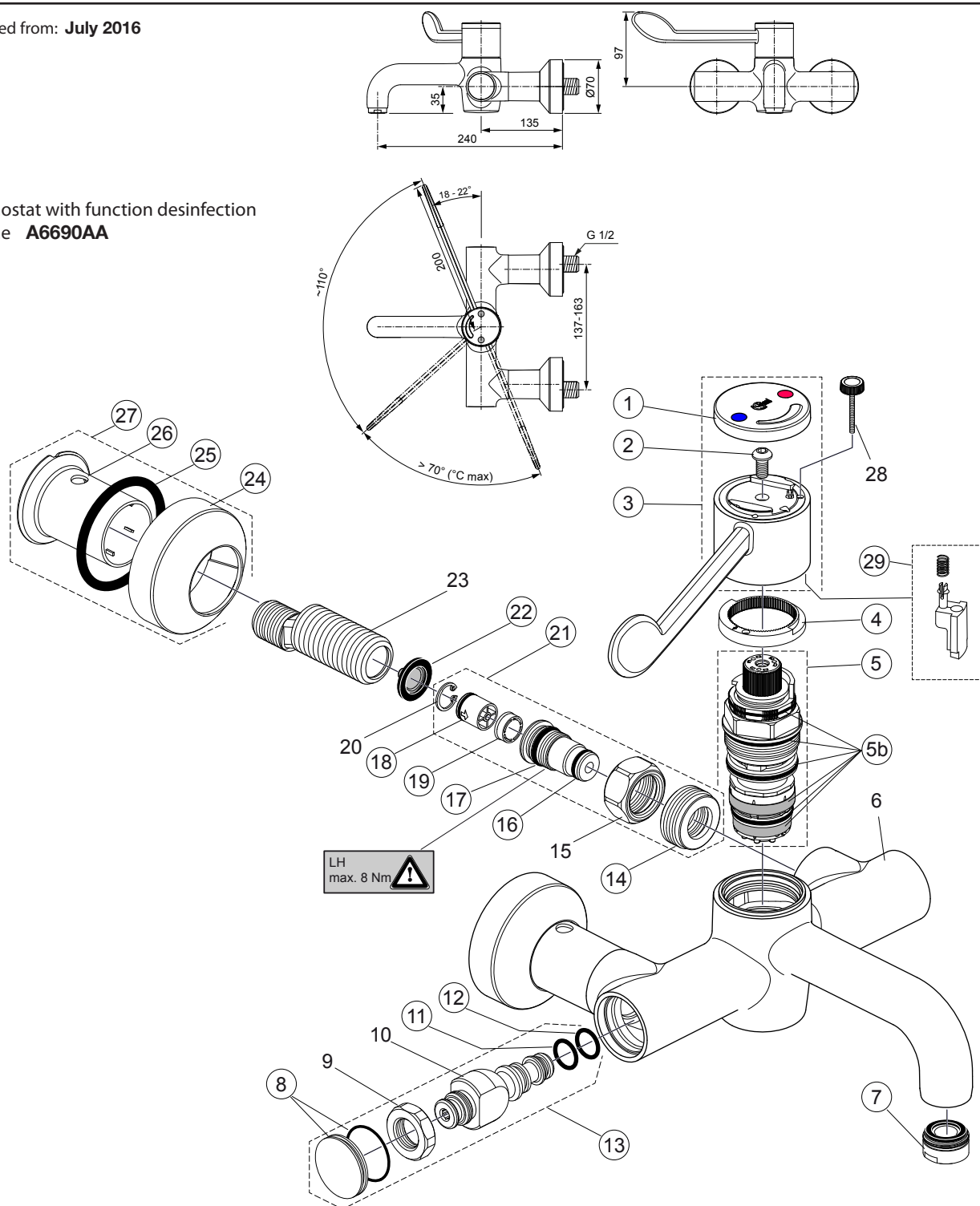


Produced from: July 2016

Thermostat with function desinfection
chrome **A6690AA**



| Pos. | Description | Part-Number | Qty. | Pos. | Description | Part-Number | Qty. |
|------|-----------------------------|---------------------|-------|------|----------------------------------------------|---------------------|-------|
| 1 | Cap for handle w. Logo ISI | A 861 120 AA | 1 pcs | 15 | Coupling nut G3/4 - SW30 | | |
| 2 | Screw M6 x 12 | A 961 950 NU | 1 pcs | 16 | O - Ring Ø 12,42 x 1,78 | A 961 332 NU | 2 pcs |
| 3 | Handle cpl. w. Logo ISI | A 861 121 AA | 1 Set | 17 | O - ring Ø 17 x 2 | A 961 810 NU | 2 pcs |
| 4 | Stopring | A 861 122 NU | 1 pcs | 18 | Non-return valve | F 960 942 NU | 1 pcs |
| 5 | Sequential therm. cartridge | A 861 123 NU | 1 pcs | 19 | Flow regulator 5,0 l/min | A 861 127 NU | 1 pcs |
| 5b | Repair-Set Cartridge | A 861 166 NU | 1 Set | 20 | Lock ring | | |
| 6 | Body | | | 21 | Seat M20 x 1 left thread cpl. | A 861 128 NU | 1 Set |
| 7 | Aerator M24x1 | A 961 625 AA | 1 pcs | 22 | Strainer (screen) | A 962 595 NU | 2 pcs |
| 8 | Cap w. o - ring Ø 30 x 2 | A 861 124 AA | 1 Set | 23 | S-connector | | |
| 9 | Threaded nut M18x1,5 | | | 24 | Escutcheon | A 960 599 AA | 1 pcs |
| 10 | Sleeve | | | 25 | O-ring Ø 53,5 x 5 | A 963 840 NU | 1 pcs |
| 11 | O - ring Ø 13 x 2 | A 861 101 NU | 2 pcs | 26 | Escutcheon inside | A 961 927 AA | 1 pcs |
| 12 | O - ring Ø 11 x 2 | A 960 942 NU | 2 pcs | 27 | Escutcheon cpl. | B 960 575 AA | 2 Set |
| 13 | Side sleeve cpl. | A 861 125 AA | 1 Set | 28 | Knurled head screw M3x30 (included in pos.3) | | |
| 14 | Inlet insulator | A 861 126 NU | 1 pcs | 29 | Disinfection interlock cpl. | A 861 276 NU | 1 Set |