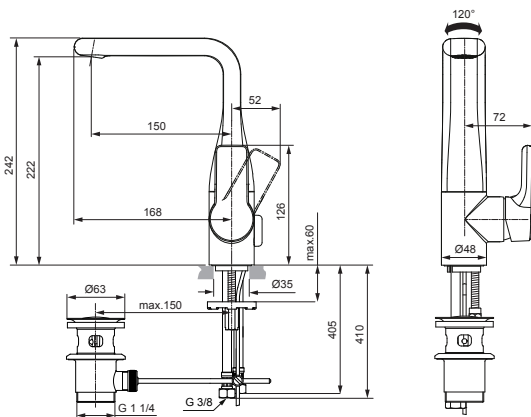
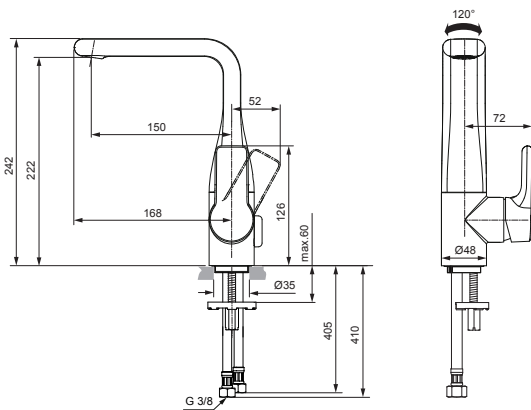


Produced from: Sept. 2013



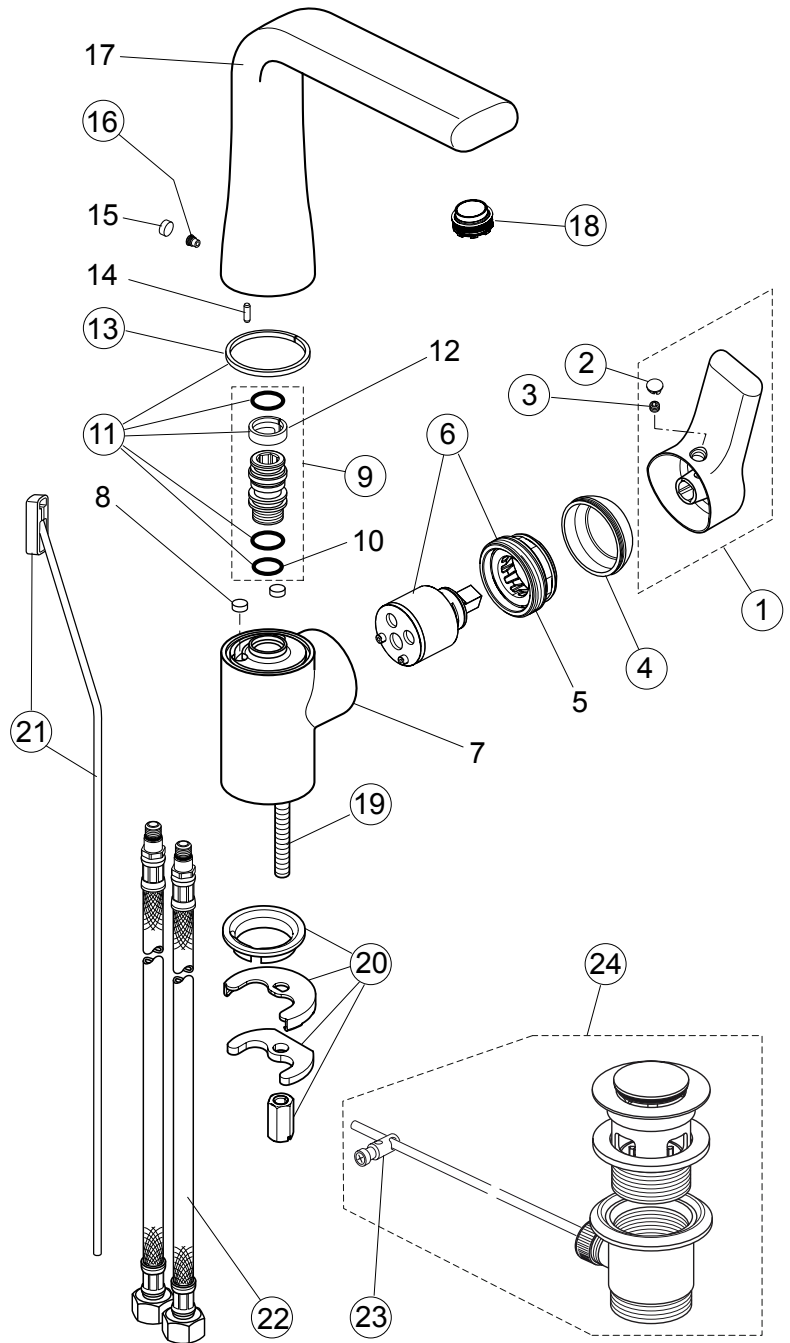
Single lever basin mixer
with swivel spout 120°
with flex. hose G3/8
and pop-up waste
chrome

A6043A



Single lever basin mixer
with swivel spout 120°
with flex. hose G3/8
chrome

A6044A



Pos.	Description	Part-Number	Qty.	Pos.	Description	Part-Number	Qty.
1	Lever cpl. with Logo IS	F 960 977 AA	1 pcs	14	Clamping pin		
2	Handle cap	B 960 473 AA	1 pcs	15	Rubber Ø 8,1 x 3 (same pos. 8)		
3	Thread pin M5x6 DIN914	A 860 603 NU	1 pcs	16	Thread pin M5 x 5,5	A 960 058 NU	1 pcs
4	Cartr. Cover (Cap)	A 960 731 AA	1 pcs	17	Spout		
5	Clamping nut M43 x 1,5			18	Aerator M21,5 x 1 + key	A 962 043 NU	1 pcs
6	Cartridge complete	A 860 114 NU	1 Set	19	Stud M8 x 92		
7	Body (Lavy)			20	Fixation kit	B 960 432 NU	1 Set
8	Rubber Ø 8,1 x 3 (same pos. 15)			21	Pull Knob with rod	A 960 654 AA	1 pcs
9	Nipple (spout connector)	F 960 978 NU	1 Set	22	Flex. hose M8x1 / G3/8	A 860 794 NU	1 pcs
10	O - Ring Ø 13 x 2			23	Bracket	A 963 404 NU	1 pcs
11	Sealing-Set complete	F 960 979 NU	1 Set	24	Pop-up waste complete	A 961 230 AA	1 pcs
12	Sliding bearing				Aerator key - Universal set		
13	Glide ring	A 962 143 NU	1 pcs		for Pos. 18	A 960 196 NU	1 pcs