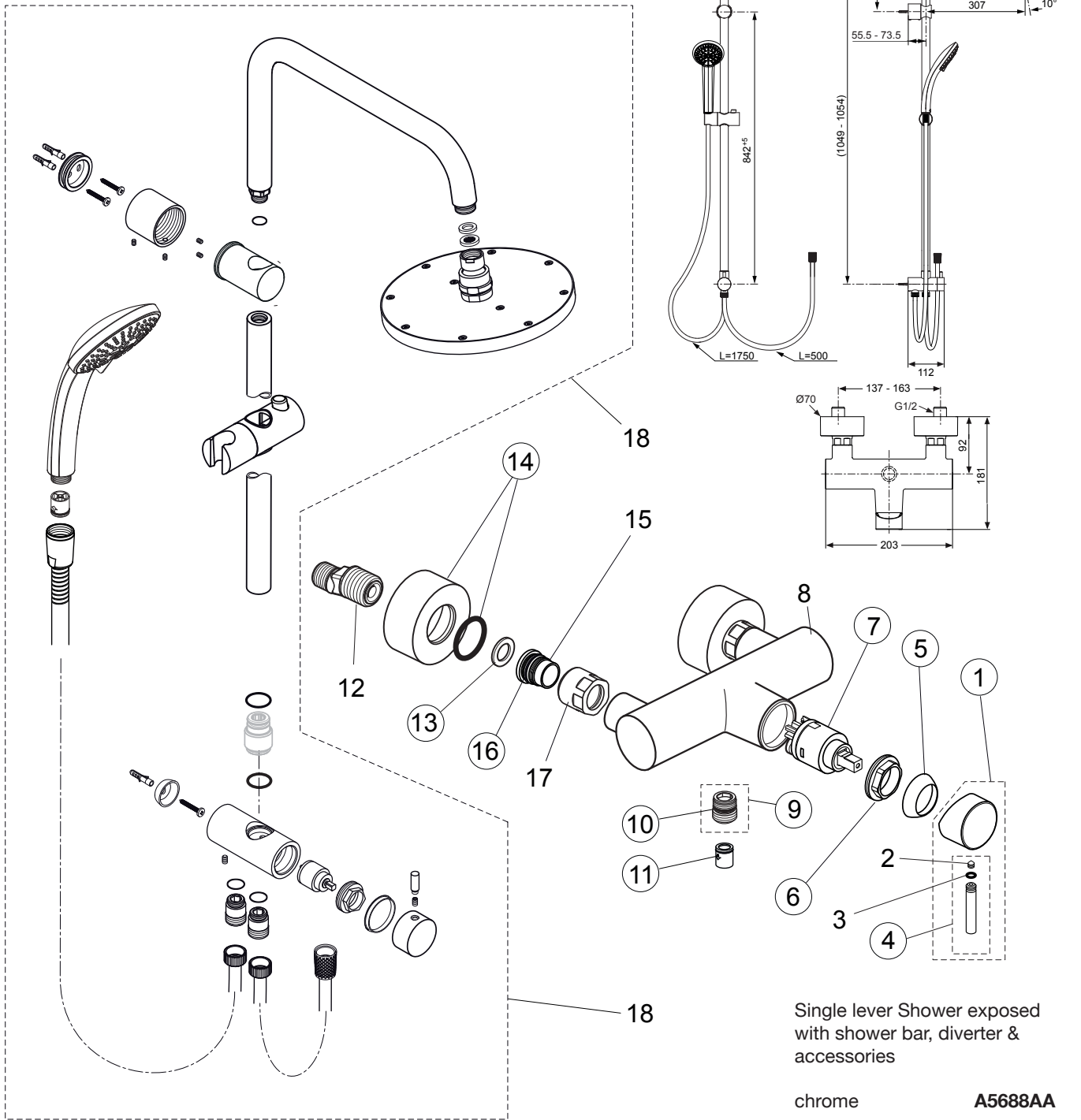


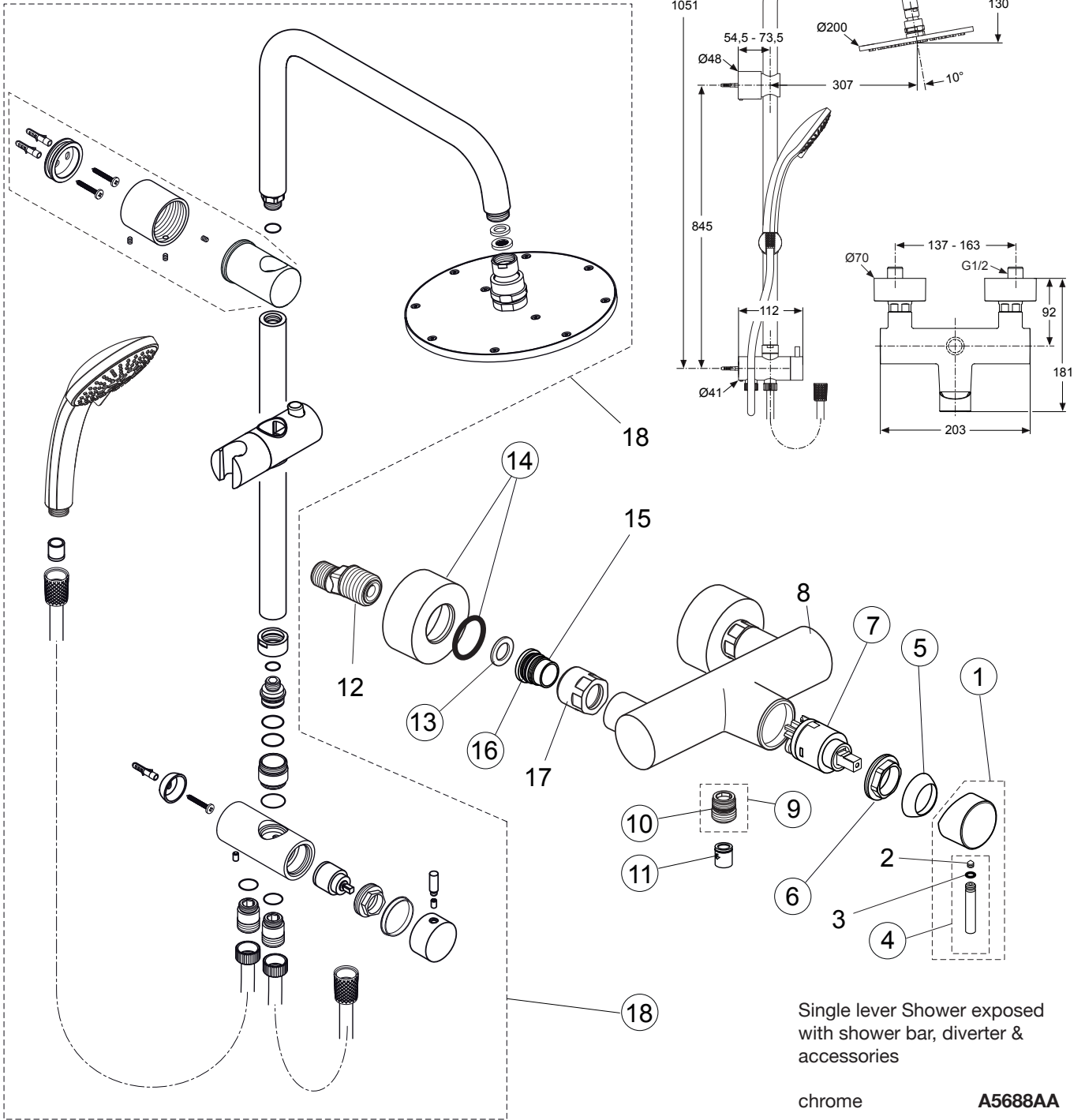
Produced from: Sep. 2017



Pos.	Description	Part-Number	Qty.	Pos.	Description	Part-Number	Qty.
1	Lever cpl. with Logo ISI	B 960 707 AA	1 pcs	15	Seat M19x1,5 left Thread		
2	Screw M5x6			16	O - Ring Ø 15,6 x 1,78	A 961 182 NU	2 pcs
3	O - ring Ø 6 x 1			17	Coupling nut G3/4-SW30		
4	Pin for handle complete	B 960 708 AA	1 pcs	18	for more informations use the sheet of Idealduo A5691AA		
5	Cap (cover f. cartridge)	B 960 709 AA	1 pcs				
6	Clamping nut M38 x 1	B 960 710 NU	1 pcs				
7	Cartridge K35B	B 964 699 NU	1 pcs				
8	Body / Shower						
9	Nipple complete	B 960 275 AA	1 pcs				
10	O - ring Ø18,2 x 1,7	A 961 640 NU	2 pcs				
11	None-return valve	A 962 594 NU	2 pcs				
12	S - connector						
13	Fibre ring	A 961 139 NU	2 pcs				
14	Escutcheon with o-ring	B 960 714 AA	1 pcs				

Mara

Produced since: Sept. 2010 - Aug. 2017



Pos.	Description	Part-Number	Qty.	Pos.	Description	Part-Number	Qty.
1	Lever cpl. with Logo ISI	B 960 707 AA	1 pcs	15	Seat M19x1,5 left Thread		
2	Screw M5x6			16	O - Ring Ø 15,6 x 1,78	A 961 182 NU	2 pcs
3	O - ring Ø 6 x 1			17	Coupling nut G3/4-SW30		
4	Pin for handle complete	B 960 708 AA	1 pcs	18	for more informations use the sheet of Idealduo A5691AA		
5	Cap (cover f. cartridge)	B 960 709 AA	1 pcs				
6	Clamping nut M38 x 1	B 960 710 NU	1 pcs				
7	Cartridge K35B	B 964 699 NU	1 pcs				
8	Body / Shower						
9	Nipple complete	B 960 275 AA	1 pcs				
10	O - ring Ø18,2 x 1,7	A 961 640 NU	2 pcs				
11	None-return valve	A 962 594 NU	2 pcs				
12	S - connector						
13	Fibre ring	A 961 139 NU	2 pcs				
14	Escutcheon with o-ring	B 960 714 AA	1 pcs				