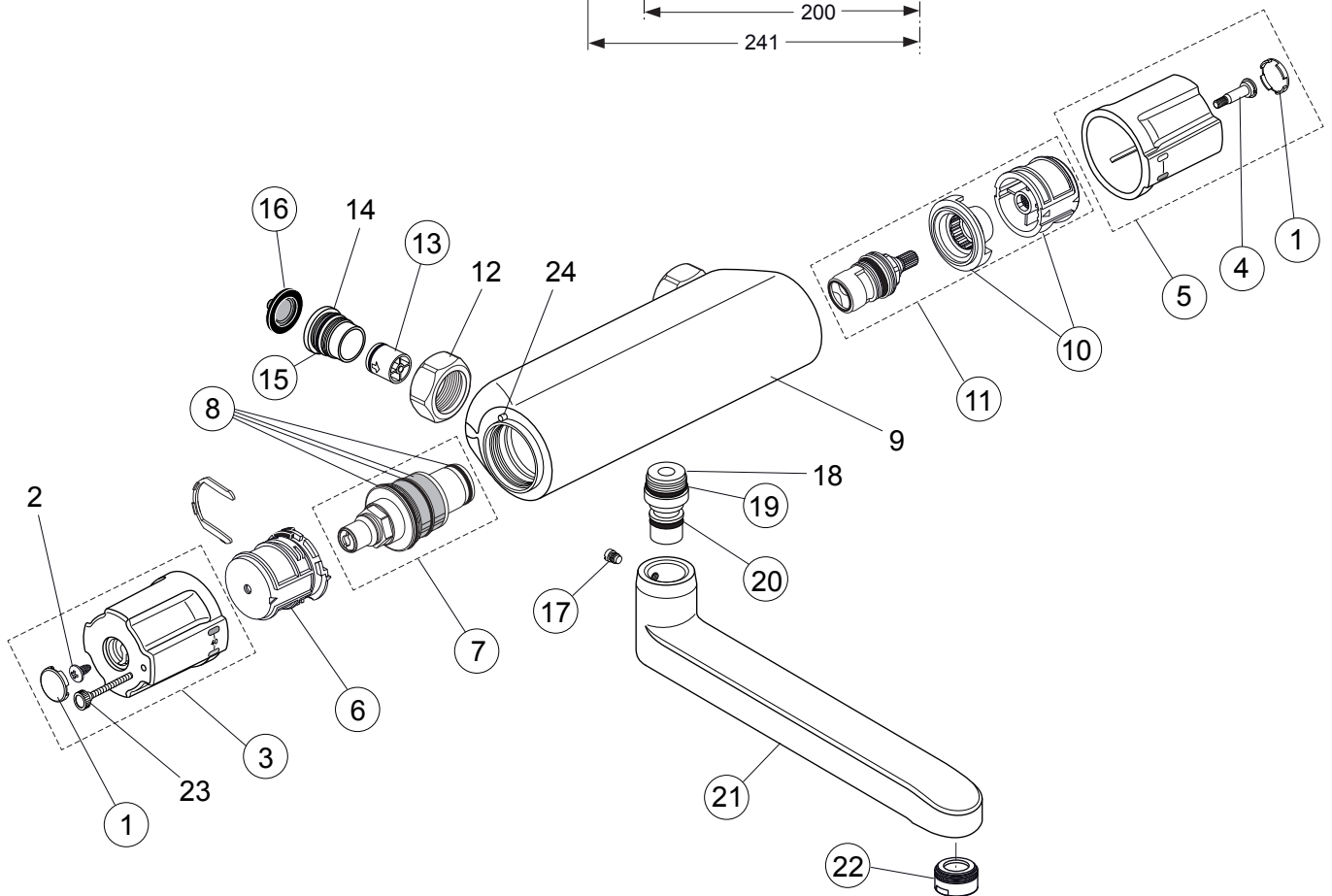
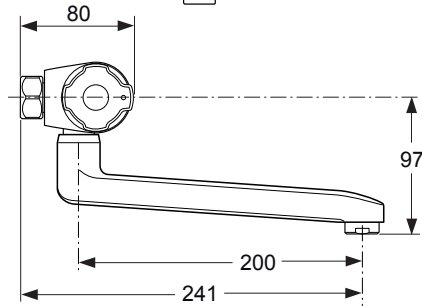
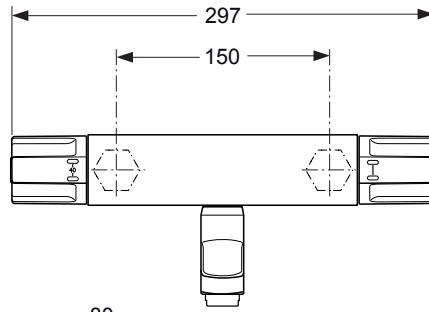


Produced from: June 2010

Clinic Thermostat with function Desinfection

chrome **A5539AA**



Pos.	Description	Part-Number	Qty.	Pos.	Description	Part-Number	Qty.
1	Cap for handle w/o Logo	E 960 641 AA	1 pcs	14	Seat M20 x 1 left thread		
2	Screw Ejot PT KB50x10			15	O - ring Ø 17 x 2	A 961 810 NU	2 pcs
3	Handle for Temp. cpl.	A 963 213 AA	1 pcs	16	Strainer (screen)	A 962 595 NU	2 pcs
4	Screw M4 L=23,5	A 962 998 NU	2 pcs	17	Cylindrical screw spec.	A 961 183 NU	1 pcs
5	Volume control handle cpl.	A 963 214 AA	1 pcs	18	Nipple M20x1		
6	Temp. adjustment cpl.	A 961 889 NU	1 Set	19	O - ring Ø 17 x 2	A 961 810 NU	2 pcs
7	Thermostatic Cartridge	F 961 044 NU	1 pcs	20	O - ring Ø 10,5 x 2,7	A 963 342 NU	2 pcs
8	Repair-Set Cartridge	A 962 230 NU	1 Set	21	Spout cpl. + pos. 17 + 22	A 961 186 AA	1 pcs
9	Body			22	Aerator M24x1 -A-	A 860 050 AA	1 pcs
10	Handle insert + stopring	A 963 432 NU*	1 Set	23	Knurled head screw M3x30		
11	Cartridge G1/2	A 861 244 NU	1 pcs	24	Pin 3x10mm DIN 1474		
12	Coupling nut G3/4 - SW30						
13	Non-return valve DW15	A 962 594 NU	2 pcs				

* Universal-Set (not all parts needed)