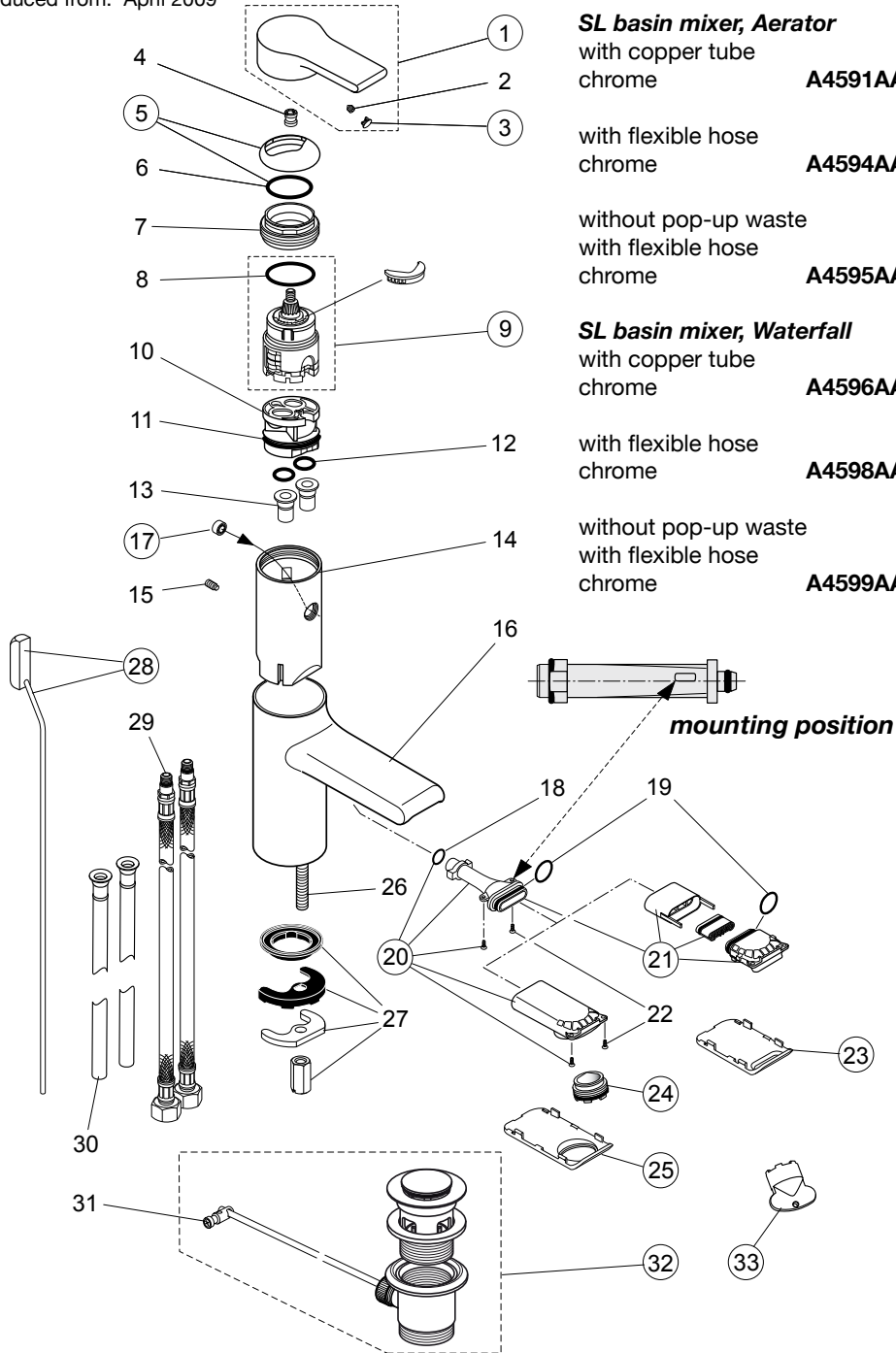


Produced from: April 2009



SL basin mixer, Aerator
with copper tube
chrome **A4591AA**

with flexible hose
chrome **A4594AA**

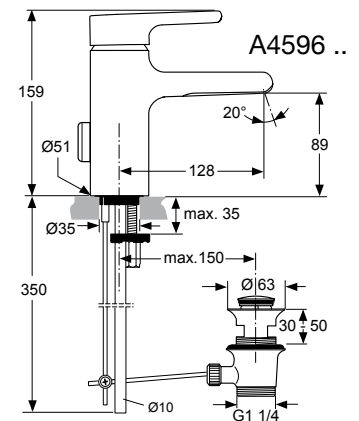
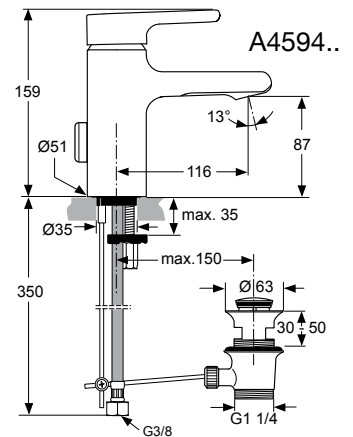
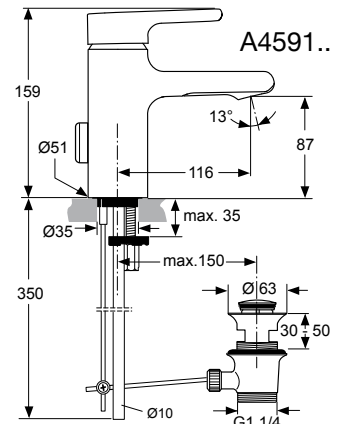
without pop-up waste
with flexible hose
chrome **A4595AA**

SL basin mixer, Waterfall
with copper tube
chrome **A4596AA**

with flexible hose
chrome **A4598AA**

without pop-up waste
with flexible hose
chrome **A4599AA**

mounting position



Pos.	Description	Part-Number	Qty.	Pos.	Description	Part-Number	Qty.
1	Lever cpl. with Logo IS	A 960 645 AA	1 pcs	17	Flow limiter (waterfall only)	A 960 647 NU	1 pcs
2	Thread pin M5x6 DIN914			18	O - ring Ø 9,25 x 1,78		
3	Handle cap	B 960 473 AA	1 pcs	19	O - ring Ø 18 x 1,5		
4	Handle adapter (included in pos. 9)			20	Water outlet f. aerator	A 960 649 NU	1 Set
5	Cover cap with pos.6	A 960 646 AA	1 pcs	21	Water outlet f. waterfall	A 960 650 NU	1 Set
6	O -ring Ø 28,3 x 1,78			22	Screw Ejoyt WN5152 20x5		
7	Clamping nut M43 x 1,5			23	Cover plate waterfall	A 960 651 AA	1 pcs
8	O - Ring Ø 35 x 3,2			24	Aerator M24x1 Casc. -A-	A 962 470 NU	1 pcs
9	Cartridge Multiport Click	A 962 985 NU	1 pcs	25	Cover plate aerator	A 960 653 AA	1 pcs
	Cartridge (only waterfall)	A 962 716 NU	1 pcs	26	Stud M8 x 63mm		
10	Plastic manifold			27	Fixation set		
11	O - ring Ø 34,65 x 1,78			28	Pull knob with lift rod	A 960 654 AA	1 pcs
12	O - ring Ø 10 x 2			29	Flex. hose M8x1-G3/8		
13	Adapter flex. hose			30	Copper tube		
14	Cartridge holder			31	Bracket		
15	Thread pin M5x16 DIN 914			32	Pop-up waste complete	A 961 230 AA	1 pcs
16	Body (Lavy + Bidet)			33	Key f. aerator pos. 25	A 960 196 NU	1 pcs