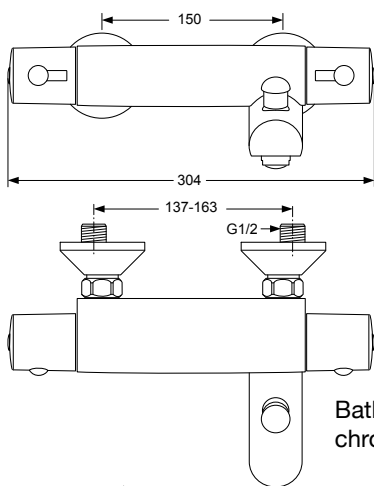


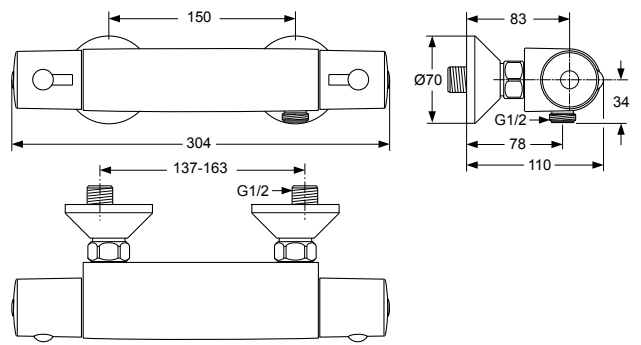
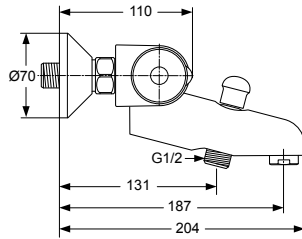
CeraTherm 50 A4508.. A4509..



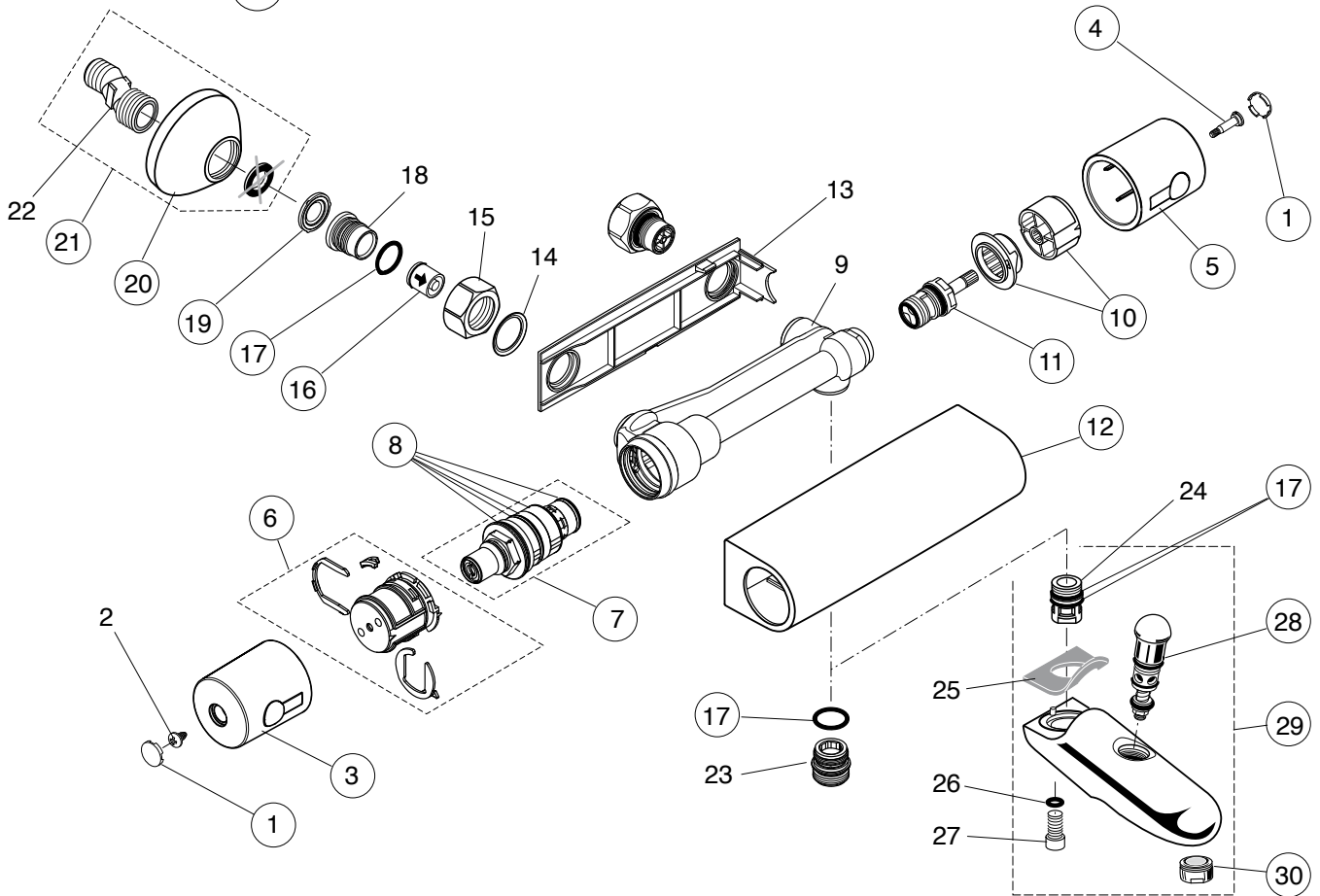
Produced from: April 2008



Bath/Shower Thermostat chrome
A4509AA



Shower Thermostat chrome
A4508AA



| Pos. | Description | Part-Number | Qty. | Pos. | Description | Part-Number | Qty. |
|------|-------------------------------|---------------------|-------|------|-------------------------------------|---------------------|-------|
| 1 | Cap for handle | A 962 361 LJ | 1 Set | 17 | O - ring Ø 17 x 2 | A 961 810 NU | 2 pcs |
| 2 | Screw Ejot PT KB50x10 | | | 18 | Seat M20 x 1 left thread | | |
| 3 | Handle for Temperature* | A 962 232 AA | 1 pcs | 19 | Strainer (screen) | A 962 595 NU | 2 pcs |
| 4 | Screw M4 L=23,5 | A 962 998 NU | 2 pcs | 20 | Escutcheon | A 960 914 AA | 1 pcs |
| 5 | Handle for Volume control | A 962 233 AA | 1 pcs | 21 | S-Connector complete | A 960 975 AA | 2 pcs |
| 6 | Temp. adjustment compl. | A 963 427 NU | 1 Set | 22 | S-Connector | | |
| 7 | Thermostatic Cartridge | A 962 229 NU | 1 pcs | 23 | Nipple M20x1 - G1/2 outside | | |
| 8 | Repair-Set Cartridge | A 962 230 NU | 1 Set | 24 | Nipple M20x1 - M6 inside | | |
| 9 | Body for Bath/shower & Shower | | | 25 | Seal plate | | |
| 10 | Handle insert + stopring | A 963 432 NU | 1 Set | 26 | O - Ring Ø 6 x 1,5 | | |
| 11 | Headwork (Cartridge) | A 963 400 NU | 1 pcs | 27 | Cylindrical screw M6x12 DIN 6912 | | |
| 12 | Cover for B/S&Shr 150mm | A 962 223 AA | 1 pcs | 28 | Diverter complete | A 963 336 AA | 1 pcs |
| 13 | Back plate (frame) | | | 29 | Spout complete | A 4512 AA | 1 pcs |
| 14 | Ring (Clip) | | | 30 | Aerator M24x1 -D- * with Logo IS | A 960 537 AA | 1 pcs |
| 15 | Coupling nut G3/4 - SW30 | | | | | | |
| 16 | Non-return valve DW15 | A 962 594 NU | 2 pcs | | | | |