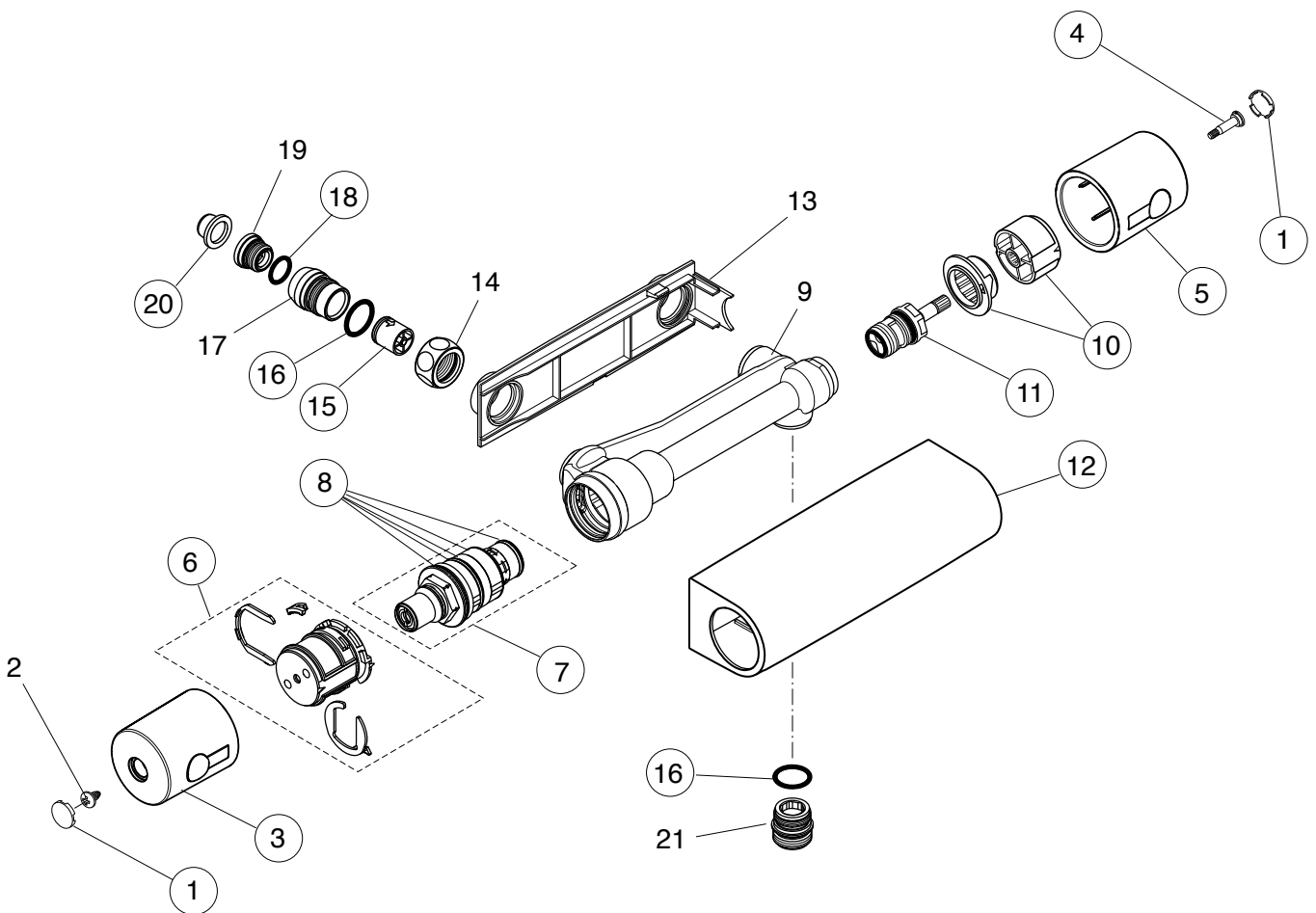
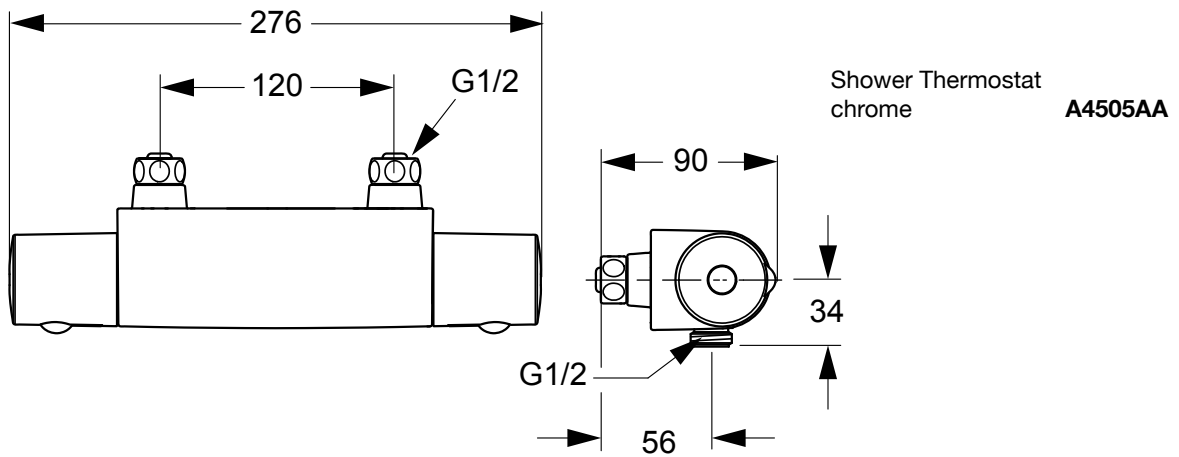


Produced from: April 2008



Pos.	Description	Part-Number	Qty.	Pos.	Description	Part-Number	Qty.
1	Cap for handle	A 962 361 LJ	1 Set	13	Back plate (frame)		
2	Screw Ejot PT KB50x10			14	Coupling nut G1/2 - SW24		
3	Handle for Temperature	A 962 232 AA	1 pcs	15	Non-return valve DW15	A 962 594 NU	2 pcs
4	Screw M4 L=23,5	A 962 998 NU	2 pcs	16	O - ring Ø 17 x 2	A 961 810 NU	2 pcs
5	Handle for Volume control	A 962 233 AA	1 pcs	17	Seat connector M20x1 outside - M15x1,5 inside left thr.		
6	Temp. adjustment compl.	A 963 427 NU	1 Set	18	O - ring Ø 12,42 x 1,78	A 962 332 NU	2 pcs
7	Thermostatic Cartridge	A 962 229 NU	1 pcs	19	Seat M15 x 1,5 left thread		
8	Repair-Set Cartridge	A 962 230 NU	1 Set	20	Strainer (screen)	A 963 365 NU	1 pcs
9	Body for Shower			21	Nipple M20x1 - G1/2 outside		
10	Handle insert + stopring	A 963 432 NU	1 Set				
11	Headwork (Cartridge)	A 963 400 NU	1 pcs				
12	Cover for Shower 120mm	A 962 224 AA	1 pcs				