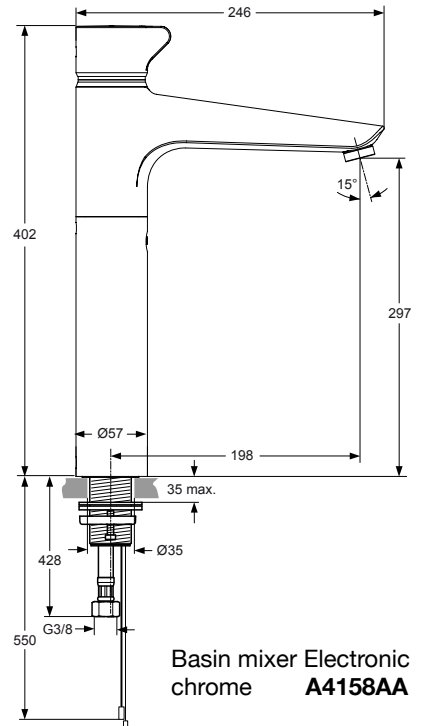
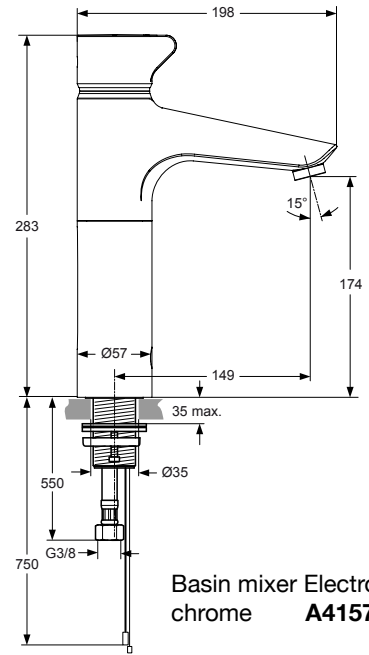
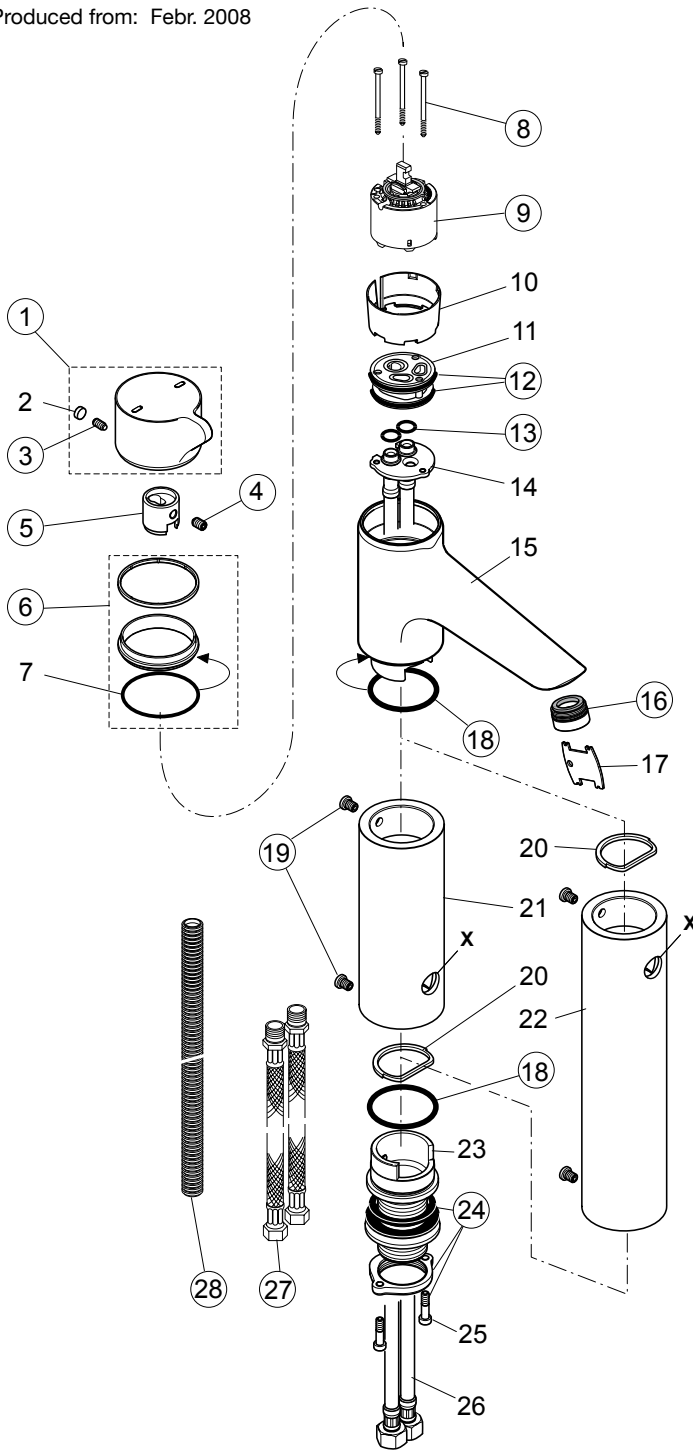


Produced from: Febr. 2008



Pos.	Description	Part-Number	Qty.	Pos.	Description	Part-Number	Qty.
1	Handle with IS-Logo	A 962 083 AA	1 pcs	17	Aerator key		
2	Cover shield (rubber)			18	O - Ring Ø 36 x 2	A 961 335 NU	1 pcs
3	Thread pin M5x10 DIN915	A 963 309 NU	1 pcs	19	Set screw M6	A 960 201 AA	1 pcs
4	Thread pin M6x10 DIN914	A 962 857 NU	1 pcs	20	Sensor holder (tin)		
5	Handle adapter + Pos. 4	A 962 084 NU	1 pcs	21	Extension for A4157AA		
6	Glide ring f. handle compl.	A 962 085 NU	1 Set	22	Extension for A4158AA		
7	O - Ring Ø 40 x 1			23	Shaft M33 x 1,5		
8	Cylindrical screw M4x62	A 963 333 NU	3 pcs	24	Fixation-Set Universal	A 960 486 NU	1 Set
9	Cartridge Ø47	A 960 500 NU	1 pcs	25	Cylindrical screw M5 x 20 DIN 7985		
10	Fixation clip f. cartridge			26	Flex. hose Ø10,5-G3/8		
11	Insert			27	Flex. hose G3/8 x G3/8	A 962 632 NU	1 pcs
12	O - Ring Ø 44 x 2	A 961 338 NU	2 pcs	28	Corrugated tube	A 960 221 NU	1 pcs
13	O - Ring Ø 10 x 2,5	A 963 788 NU	2 pcs	29	O - Ring Ø 15,6 x 1,78	A 961 182 NU	2 pcs
14	Disc f. tube attachment			30	Sensor complete + Pos.29	A 960 219 NU	1 pcs
15	Body			31	Sensor cover		
16	Aerator M24x1	B 960 457 AA	1 pcs				