

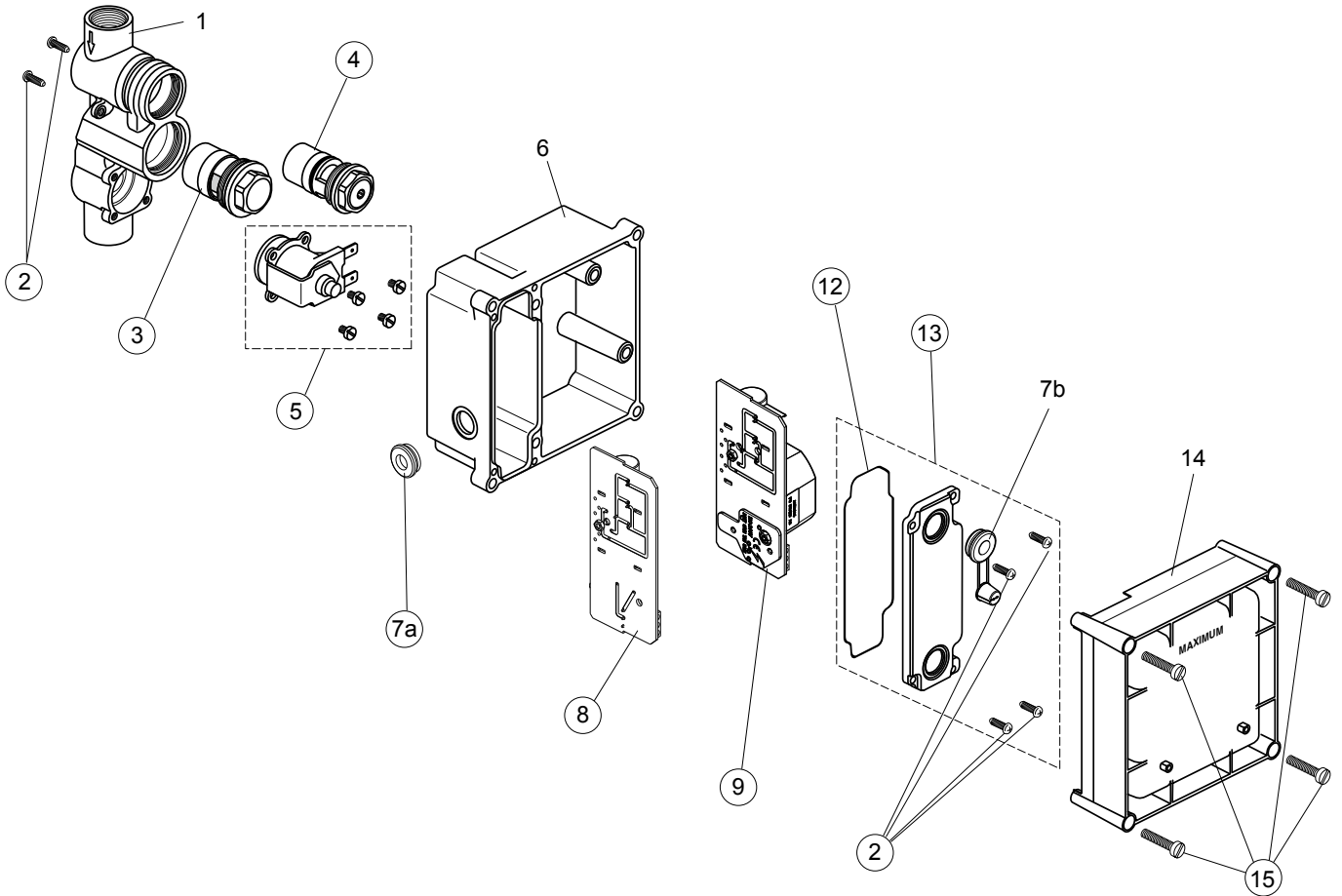
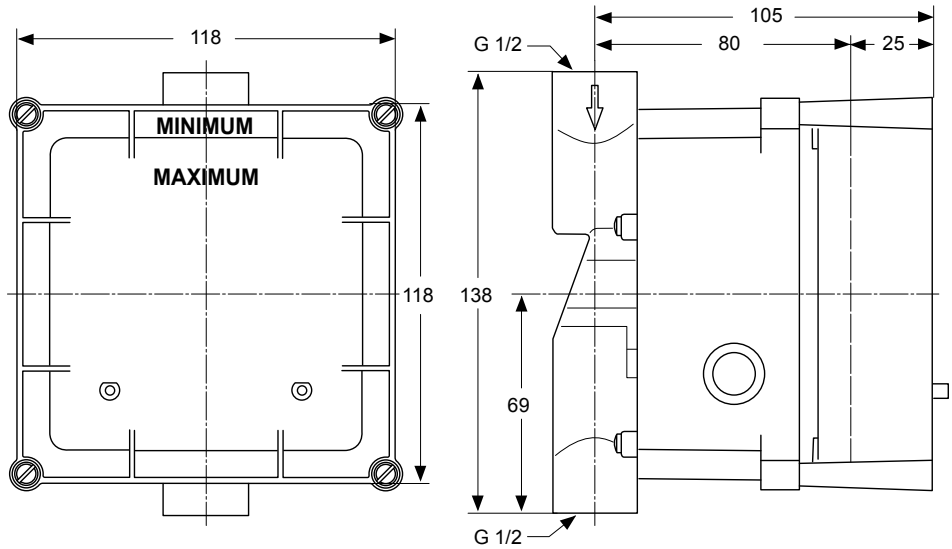
Produced from:

Electronic Box Urinal  
with Power supply

**A3795NU**

Electronic Box Urinal  
for Multi AC ( Row/series connection )

**A3796NU**



Pos.	Description	Part-Number	Qty.	Pos.	Description	Part-Number	Qty.
1	Body ( Electronic fittings )			13	Cover complete	<b>A 960 163 NU</b>	1 pcs
2	Ejot-PT Screw KB 35x12	<b>A 960 152 NU</b>	4 pcs	14	Cover		
3	Filter complete	<b>A 960 148 NU</b>	1 pcs	15	Cylindrical screw M4x20	<b>A 963 544 NU</b>	4 pcs
4	Check stop valve	<b>A 960 150 NU</b>	1 pcs				
5	Magnet valve with screws	<b>A 960 151 NU</b>	1 pcs				
6	Control box						
7a	Cable sealing	<b>A 960 155 NU</b>	2 pcs				
7b	Cable sealing special						
8	PC Board Multi(A3796NU)	<b>A 960 160 NU</b>	1 pcs				
9	PC Board AC (3795NU)	<b>A 960 159 NU</b>	1 pcs				
12	Sealing frame	<b>A 960 162 NU</b>	1 pcs				