

WCs

contour 21 btw standard height

This rimless washdown WC pan is extremely versatile and can be used in hotel, prison, school and public building installations as well as domestic applications.

A robust design and construction means that it is appropriate for some anti vandal use.

Rimless horizontal outlet, back to wall WC for ducted cisterns.

New rimless technology updates the original Armitage Shanks Rimless pan allowing reduced flush volumes.

Domestic and commercial use

Rimless WC

Concealed top fixing seats

Suitable for ducts

Water saving 4.5/3 litre dual flush

Lever flush or no touch sensor option



Illustrated

S3056 Contour 21 rimless standard height back to wall WC pan, standard projection with floor fixing kit

S364367 Conceala 2 cistern & cover, 4.5/3 litre, pneumatic dual flush valve fittings, side supply and internal overflow

S4504MY Armitage Shanks dual flush flushing plate, stainless steel

S406501 Contour 21 toilet seat and cover, top fixing hinges

Material

Vitreous china

Weight

WC pan 20.3kg

Cistern 3.5kg

Seat & cover 2.3kg

Seat only 1.2kg

Colours

Sanitaryware available in White (01) only.

Seats available in;

White (01)

Grey (LJ)

Blue (36)

Charcoal (RN)

Standards

Vitreous china to

BS 3402

Options

S406701 Contour 21 seat retaining buffers

S4066 Contour 21 toilet seat no cover, top fixing hinges with retaining buffers

S364067 Conceala 2 cistern, 4.5 litre, single flush pneumatic flush valve fitting, side inlet ballvalve and internal overflow

S4512MY Pneumatic finger push button in stainless steel for 31mm maximum thickness partition

S4513MY Pneumatic palm push button in stainless steel for 31mm maximum thickness partition

SV31667 3 metre long pneumatic tube

New flush options

S425967 4.5 litre Conceala single flush syphon cistern with lever, side supply and internal overflow

S359967 Sensorflow 21 WC flushing device, panel mounted sensor complete with concealed valve 4.5 litre, side inlet duct cistern

Associated products

Panekta Connectors

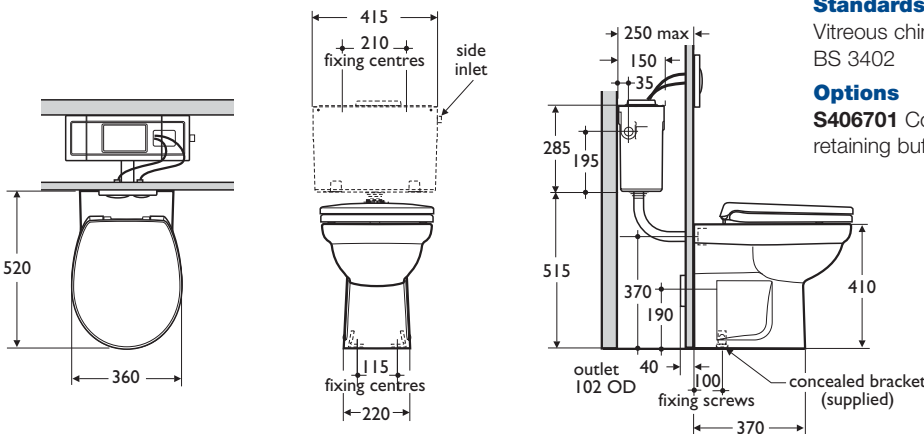
S4305 converts to P trap

S4300 converts to S or turned P trap

Special notes

Lever cistern fittings are reversible. WC screwed to floor using floor fixing kit (supplied). Joint to wall sealed with waterproof sealant (not supplied).

S4259 conceala cistern should be raised to 615mm from floor to underside of cistern



FFL to centre line of cistern fixing holes 790