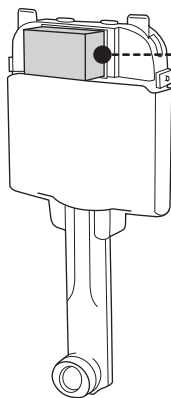


(dimensions in millimeters)

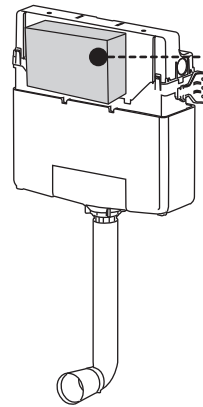


WC FRAME / CISTERN 80



10 mm
MIN.

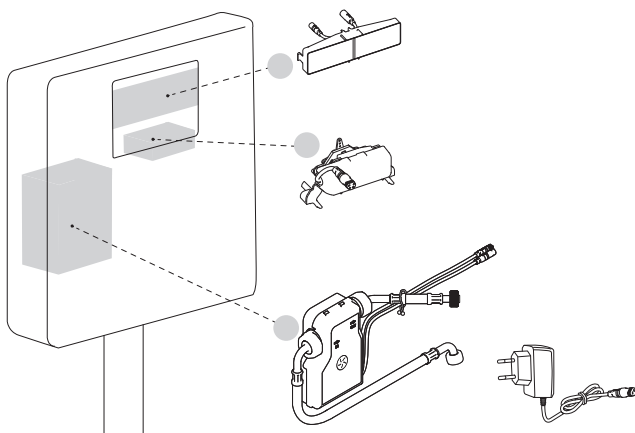
WC FRAME / CISTERN 120



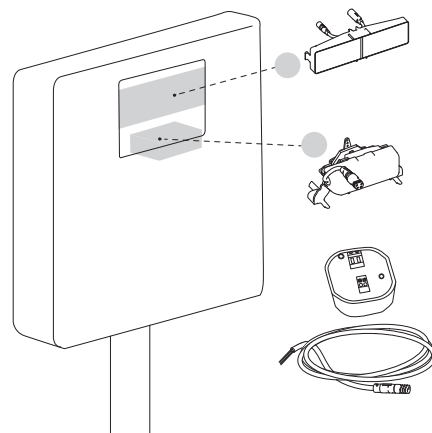
10 mm
MIN.



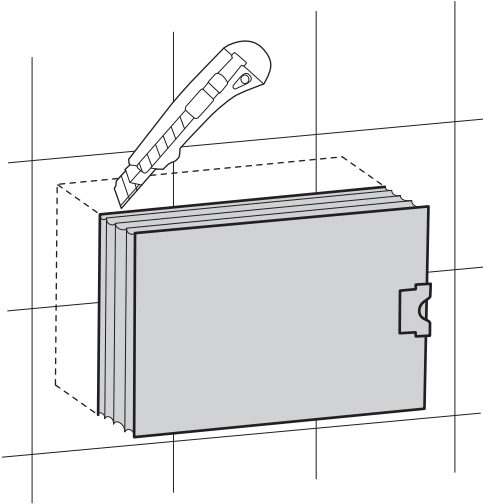
 Hydroboost



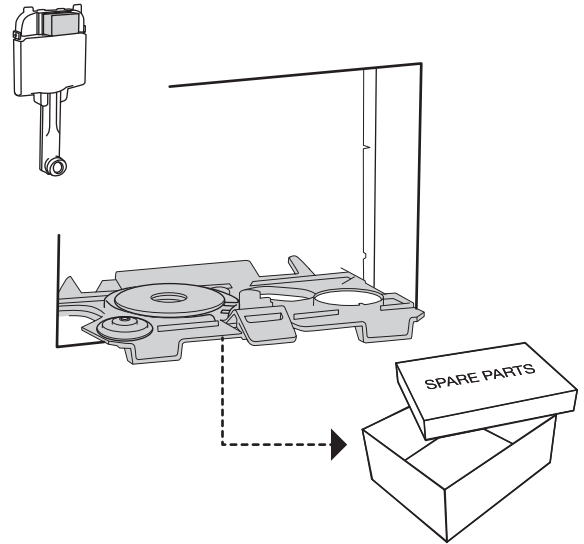
AC power-mains



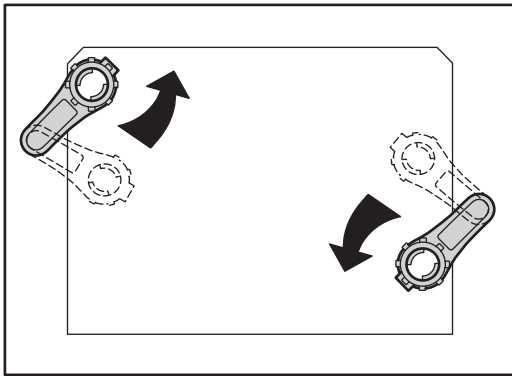
1



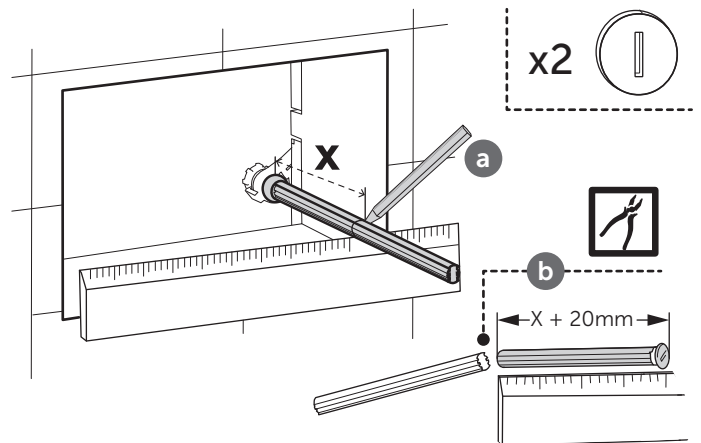
2



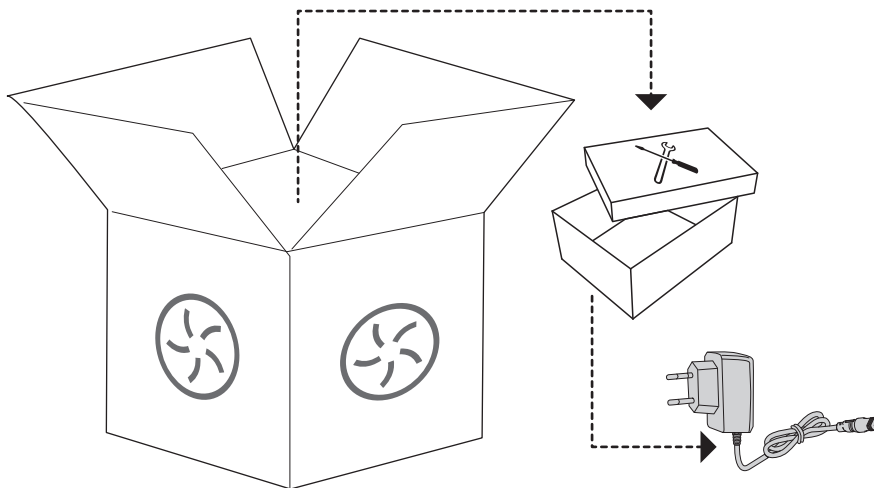
3

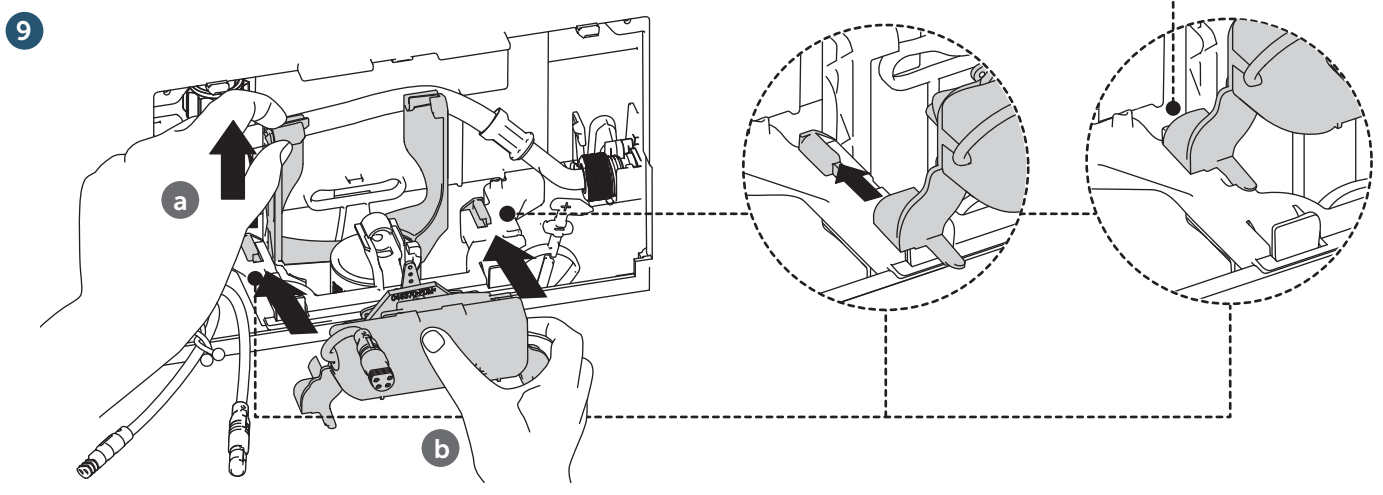
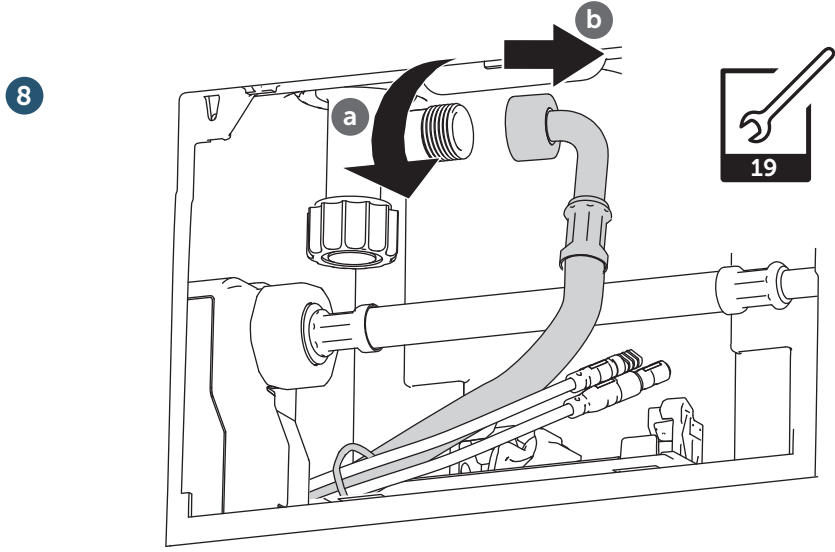
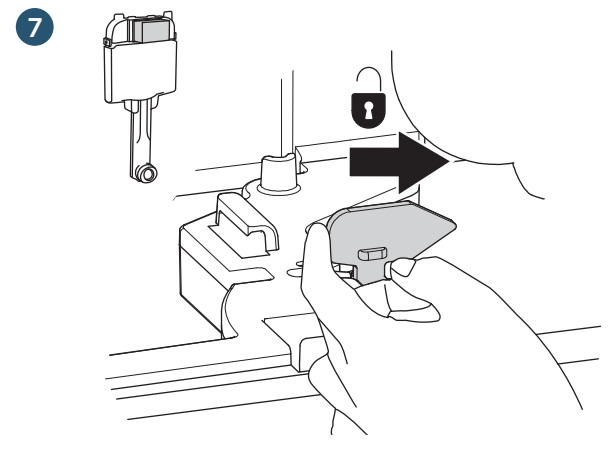
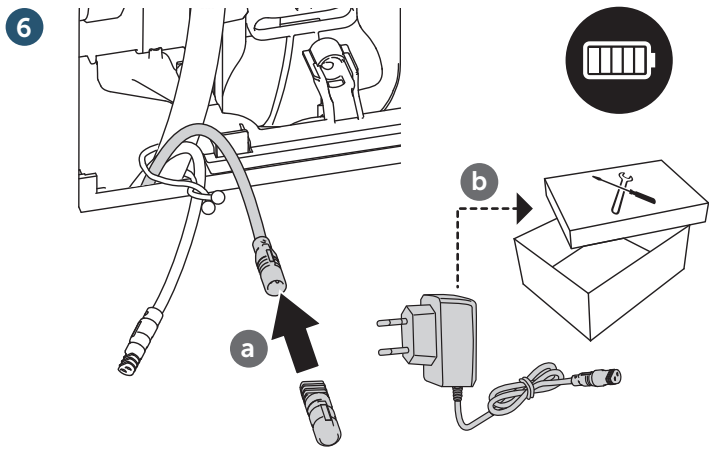
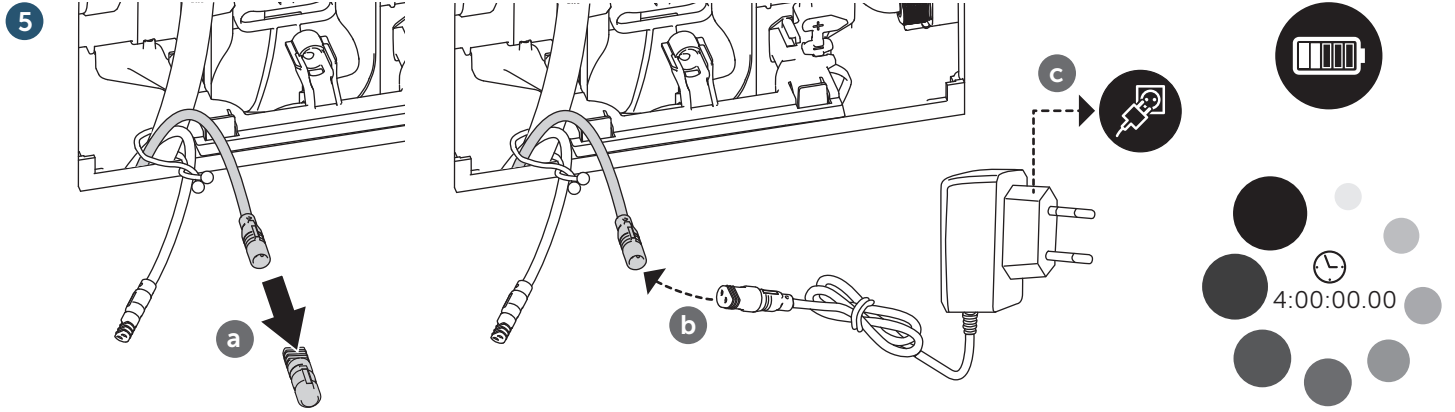


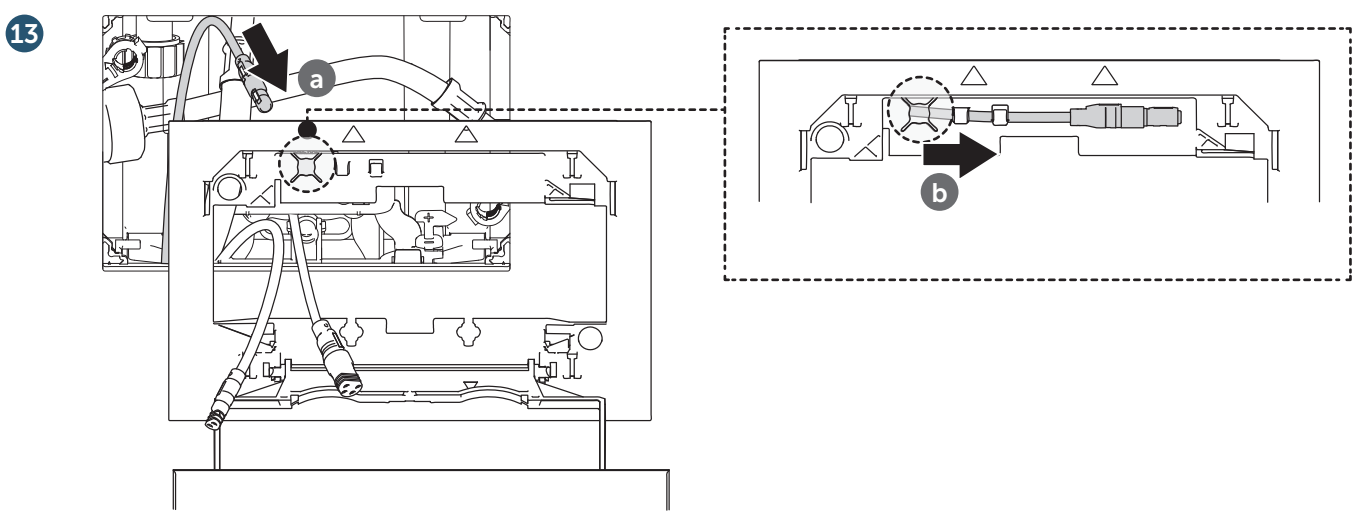
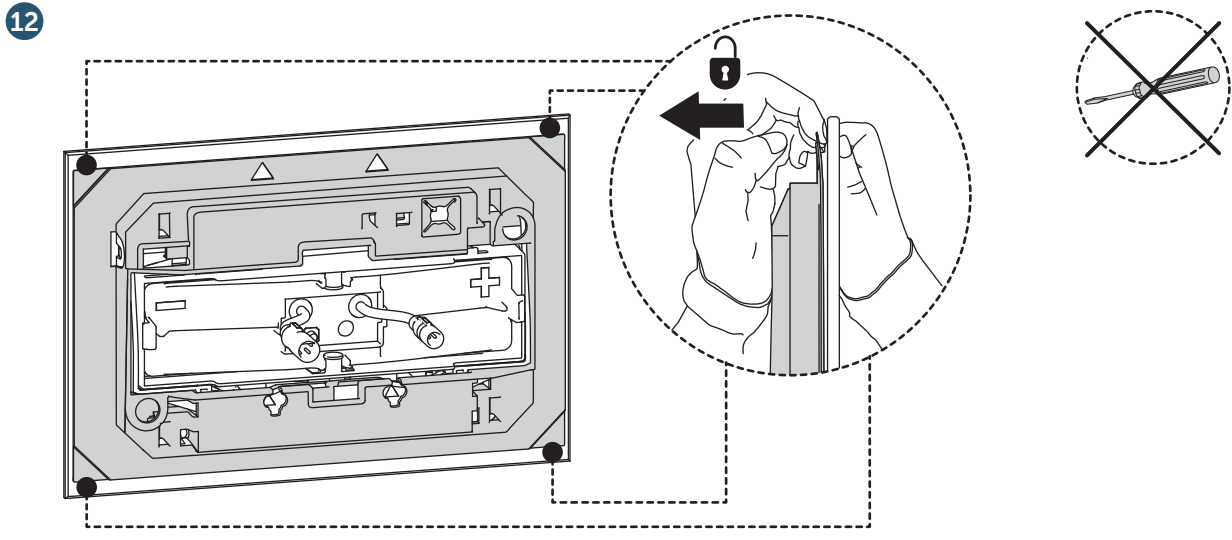
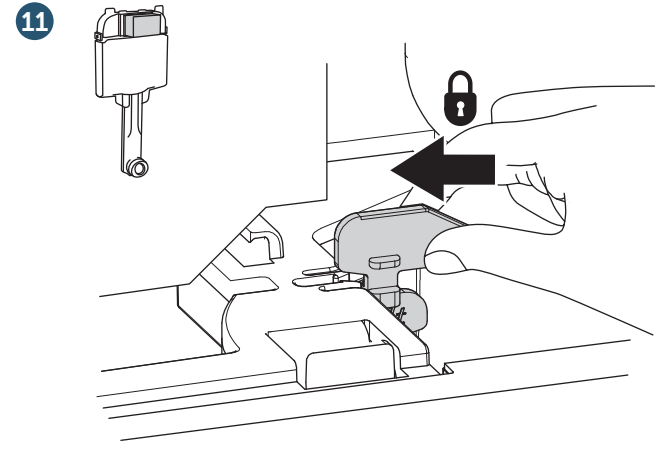
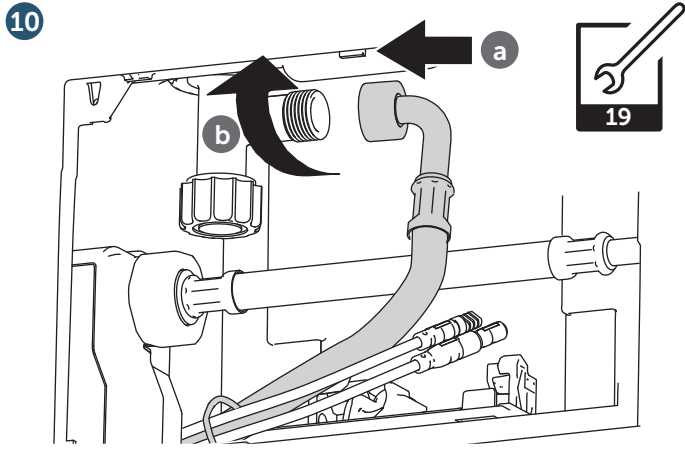
4

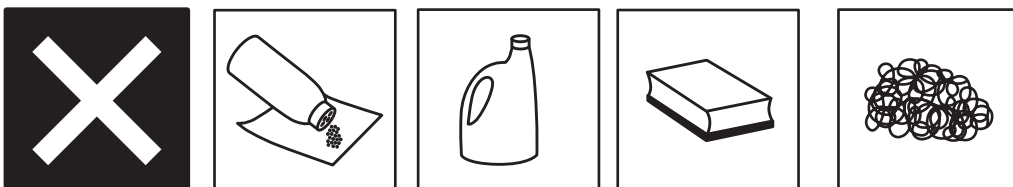
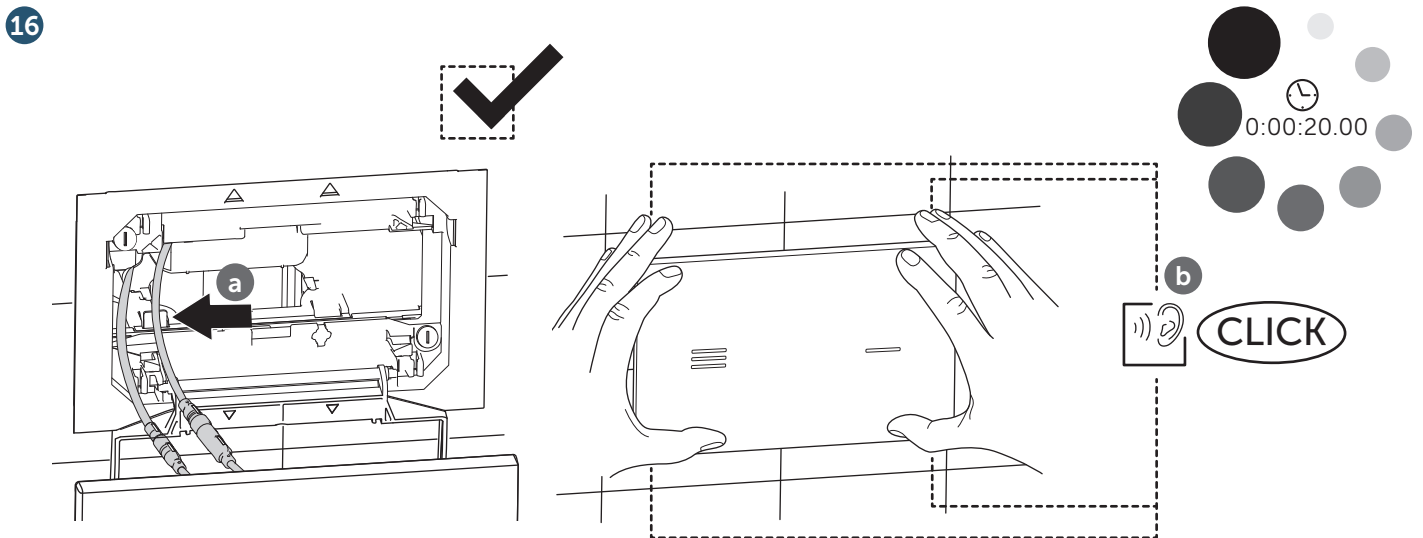
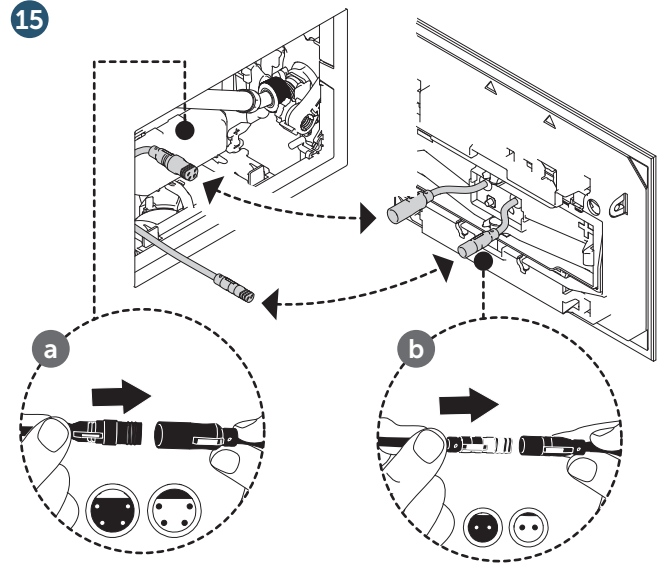
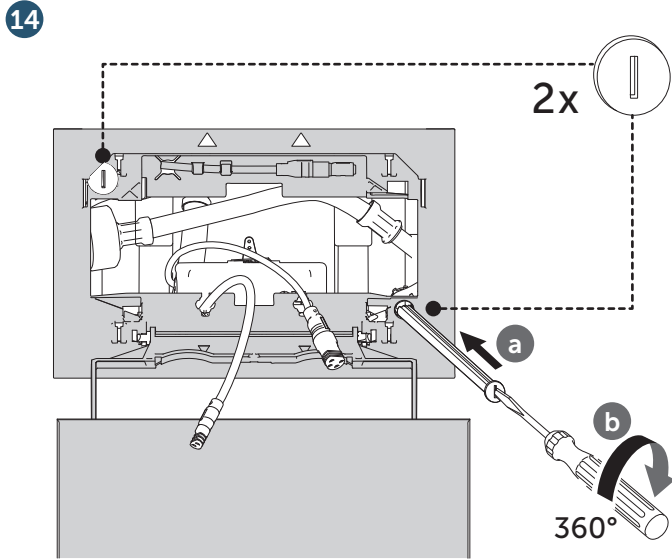


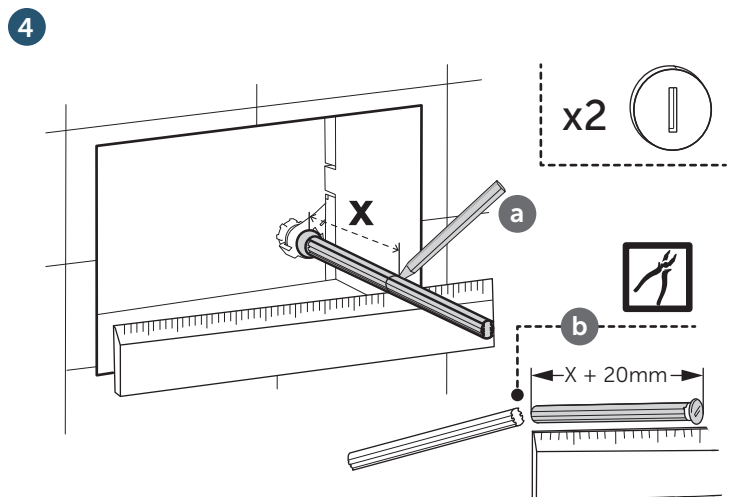
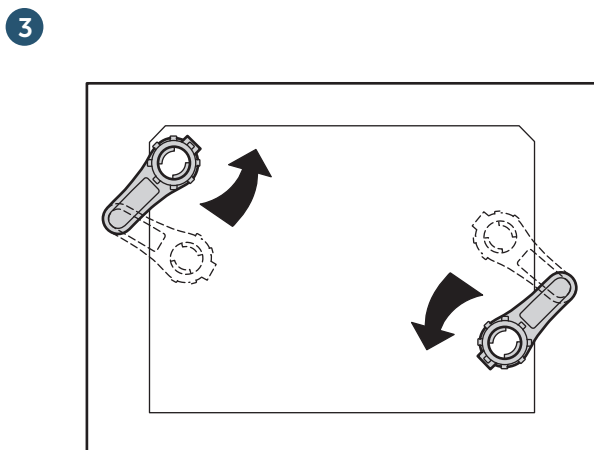
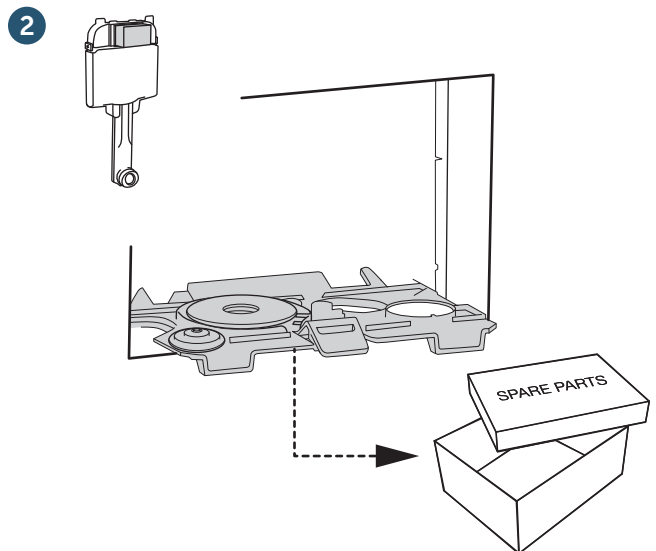
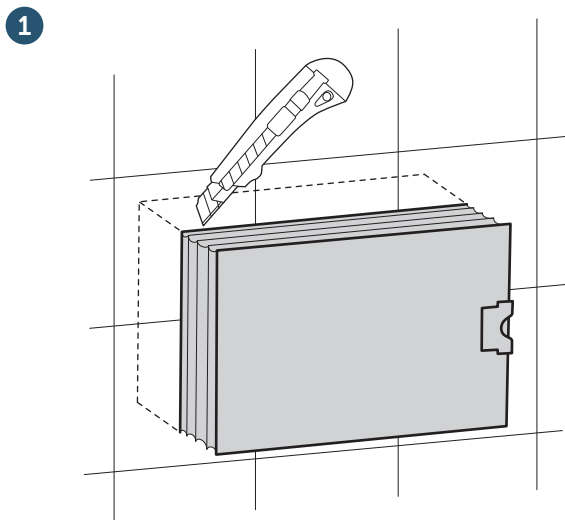
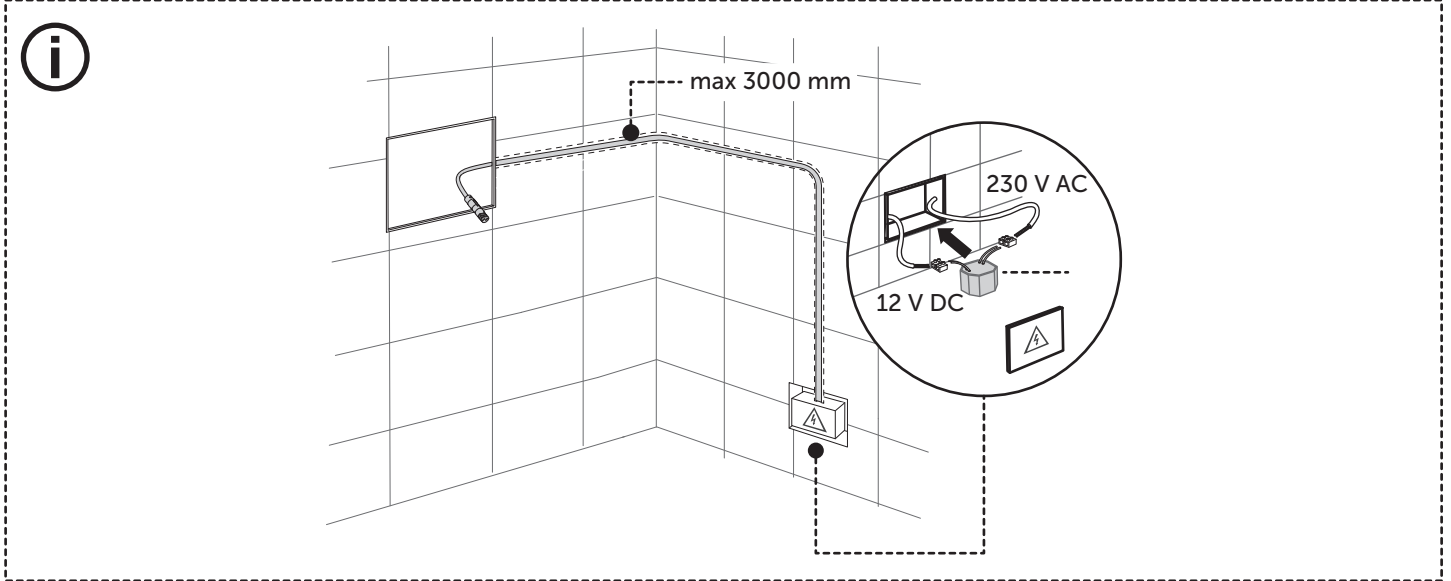
i







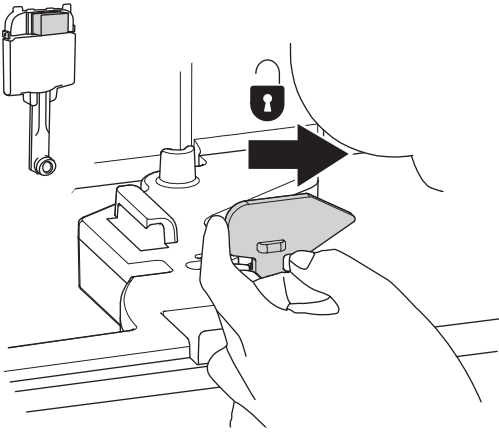




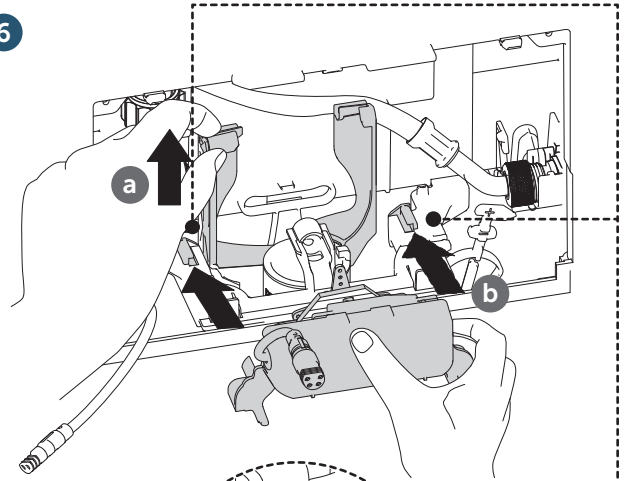


AC power-mains

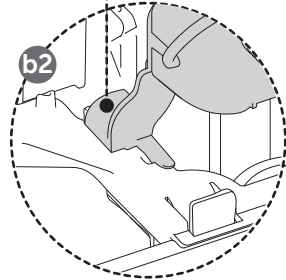
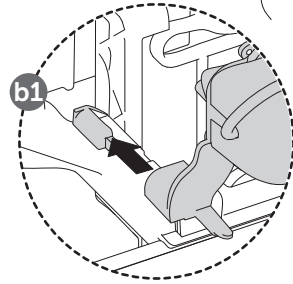
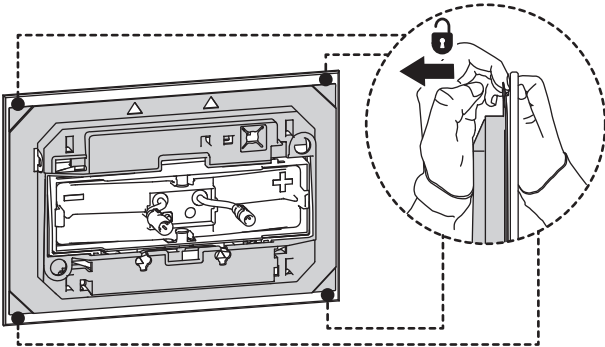
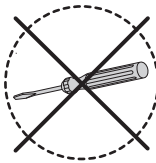
5



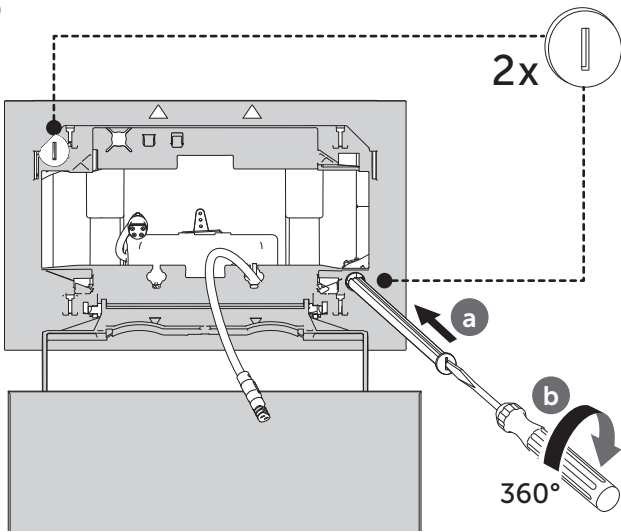
6



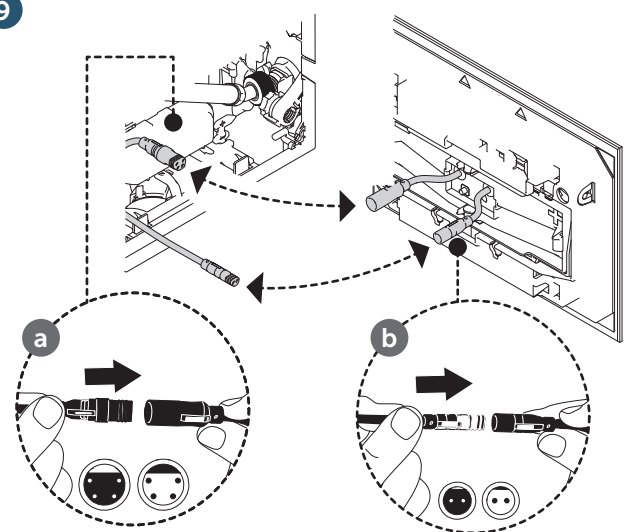
7



8

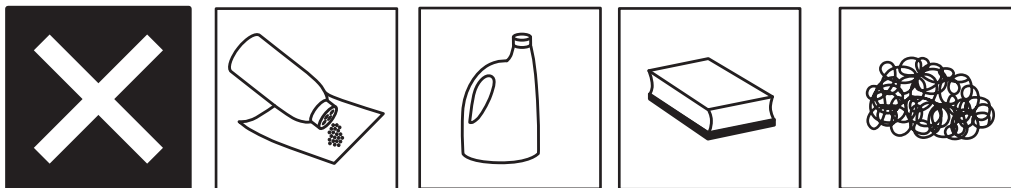
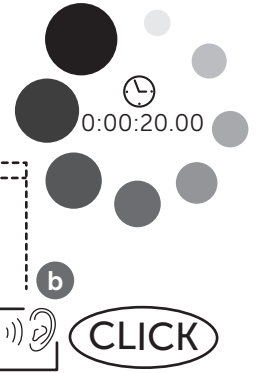
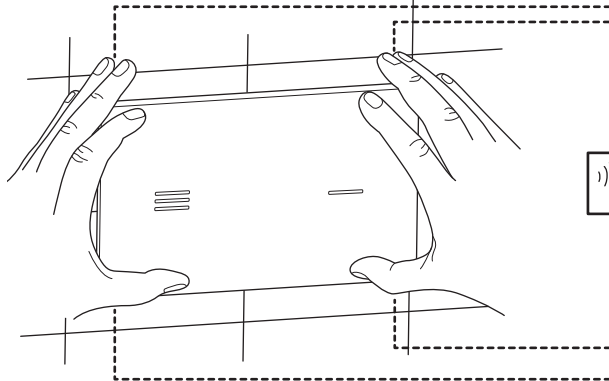
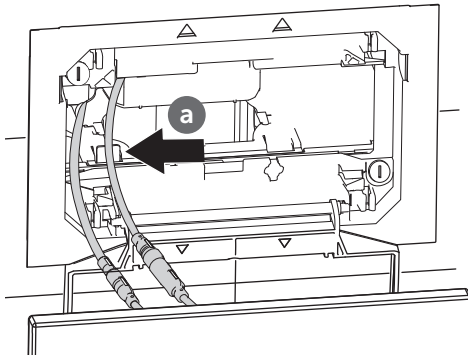


9



 AC power-mains

10



Ideal Standard International NV
Corporate Village – Gent Building
Da Vincilaan 2
B1935 – Zaventem
Belgium



BE +32 (0)2 325 66 33
BG +359 675 30362
DE +49 (0)228 521 580
EG +202 26969700
FR +33 (0)1 49 38 28 00
GB 0870 129 6085
GR +30 210 67 90 810
HR +38591 22 99 304

HU +36 30 6991 594
IT 800 652 290
ME +971 4 804 2400
NL +31 (0)77 355 08 08
PL +48 71 7868 301/302
RO +40 21 3223 201/202
SI 00386 59 919040
TR +90 216 314 87 87

UA +359 675 30 468
AL/XK/BA +359 887 709 696
CZ/SK +420 417 592 179
DK/NO/SE +45 75 84 10 10
ES/PT +34 93 561 80 00
LV/LT/EE +371 673 57 792
RS/MK/ME +381 11 713 80 58
RU/MD +7 495 669 23 11

