

Montageanleitung  
 Installation instructions  
 Instructions de montage  
 Istruzioni di Montaje  
 Instruções de montagem

108700/1

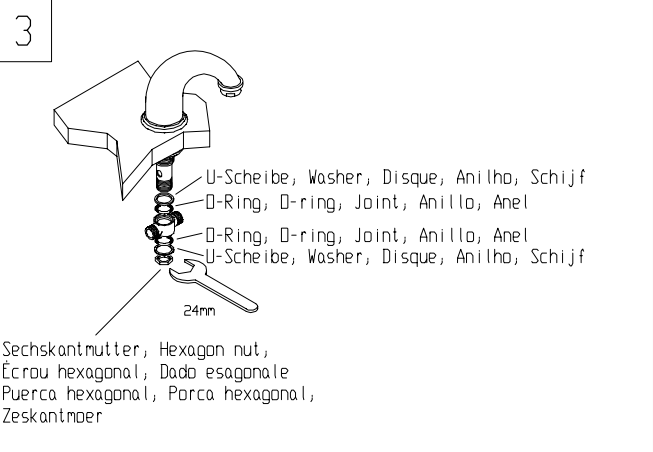
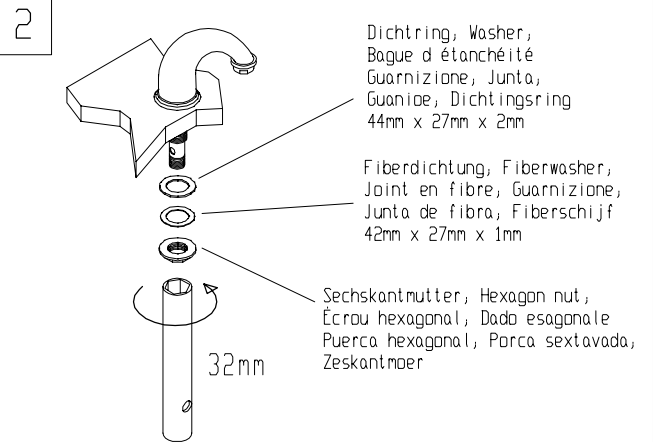
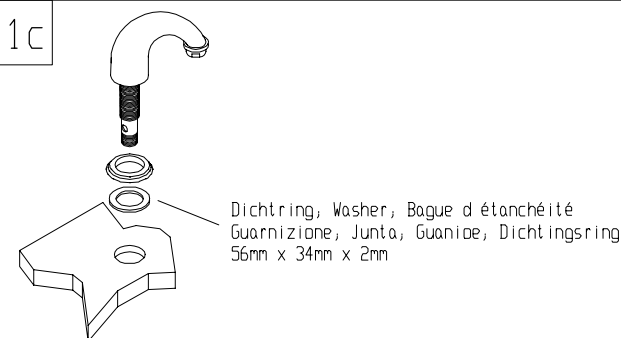
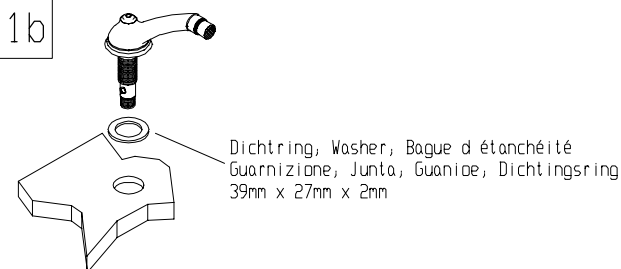
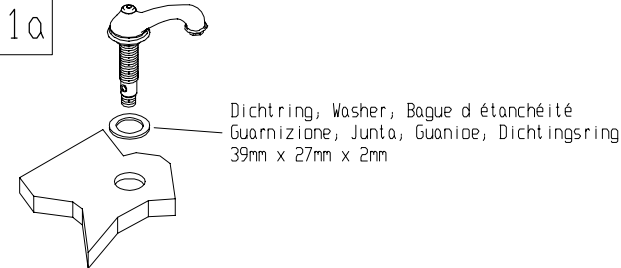
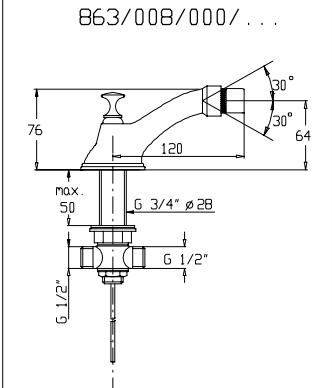
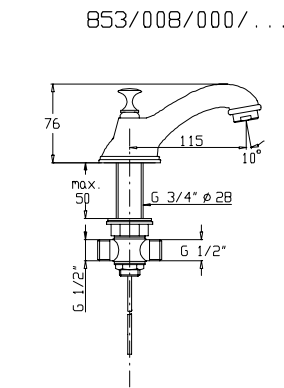
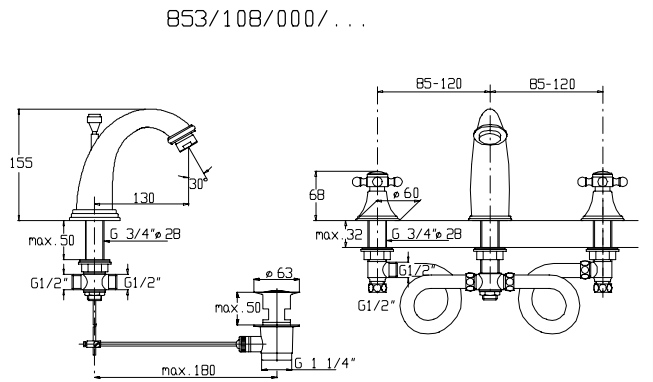
H965030

853/108/000/...  
 853/008/000/...  
 863/008/000/...

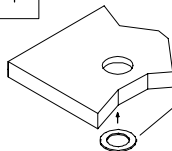
# JADO

Paul-Ehrlich-Strasse 3-5  
 63322 Rödermark  
 Telefon: 06074 / 896-01  
 Telefax: 06074 / 896-169  
 E-Mail: [info@jado.com](mailto:info@jado.com)  
 Homepage: [www.jado.com](http://www.jado.com)

Kundendienst für Deutschland  
 Pro-Service  
 Am Probsthof 15  
 53121 Bonn  
 Telefon: 0228 / 521580  
 Telefax: 0228 / 521589  
 E-Mail: [pro-service.info@aseur.com](mailto:pro-service.info@aseur.com)  
 Homepage: [www.pro-service.info](http://www.pro-service.info)



4

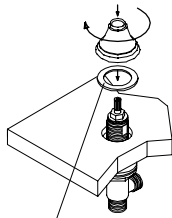


Dichtring, Washer,  
Bague d'étanchéité  
Guarnizione, Junta,  
Guarnioe, Dichtingsring  
44mm x 27mm x 2mm

Fiberdichtung, Fiberwasher,  
Joint en fibre, Guarnizione,  
Junta de fibra, Fiberschijf  
42mm x 27mm x 1mm

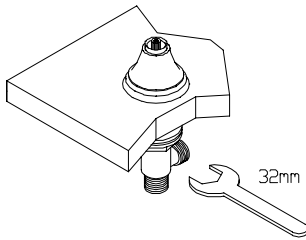
Sechskantmutter, Hexagon nut,  
Écrou hexagonal, Dado esagonale,  
Puerca hexagonal, Porca sextavada,  
Zeskantmoer

5

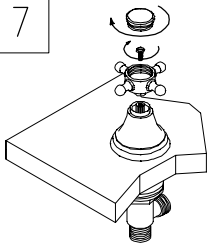


Dichtring, Washer,  
Bague d'étanchéité  
Guarnizione, Junta,  
Guarnioe, Dichtingsring  
56mm x 34mm x 3mm

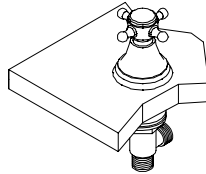
6



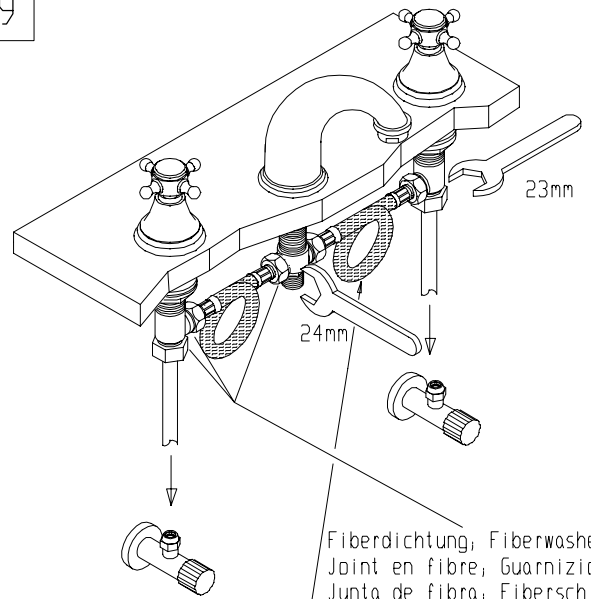
7



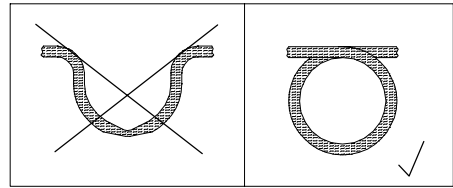
8



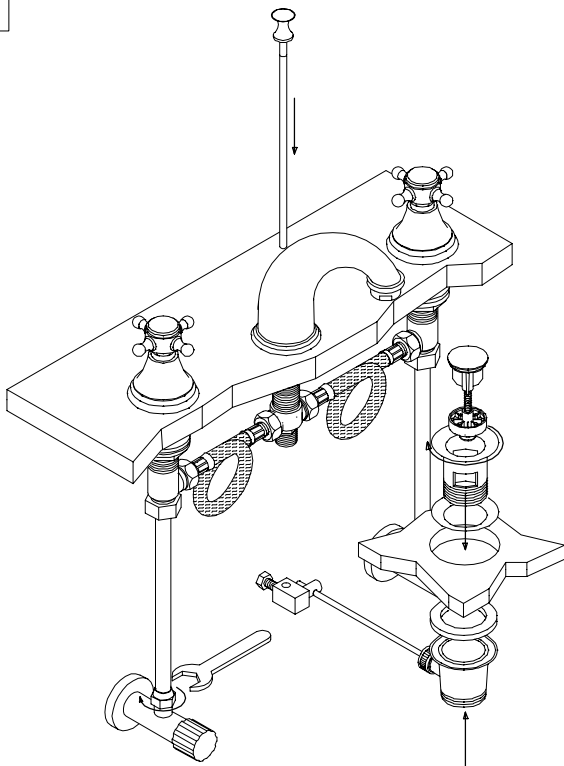
9



Fiberdichtung, Fiberwasher,  
Joint en fibre, Guarnizione,  
Junta de fibra, Fiberschijf  
18.5mm x 12mm x 1.5mm



10



11

