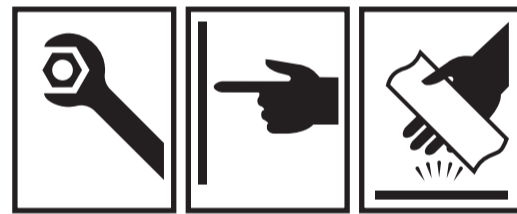
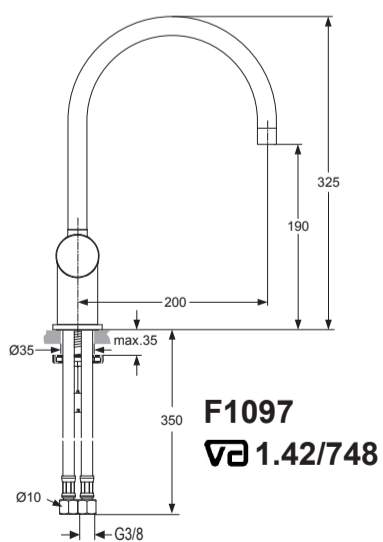
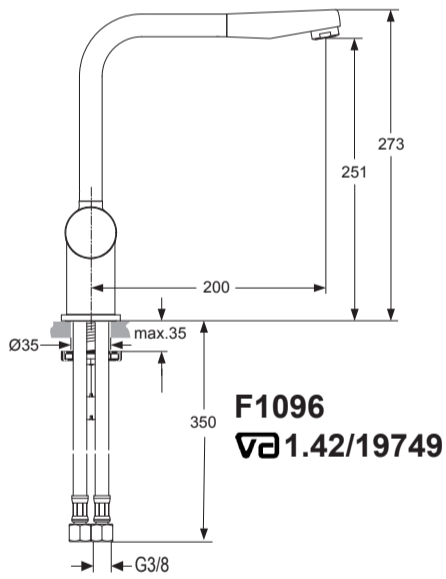
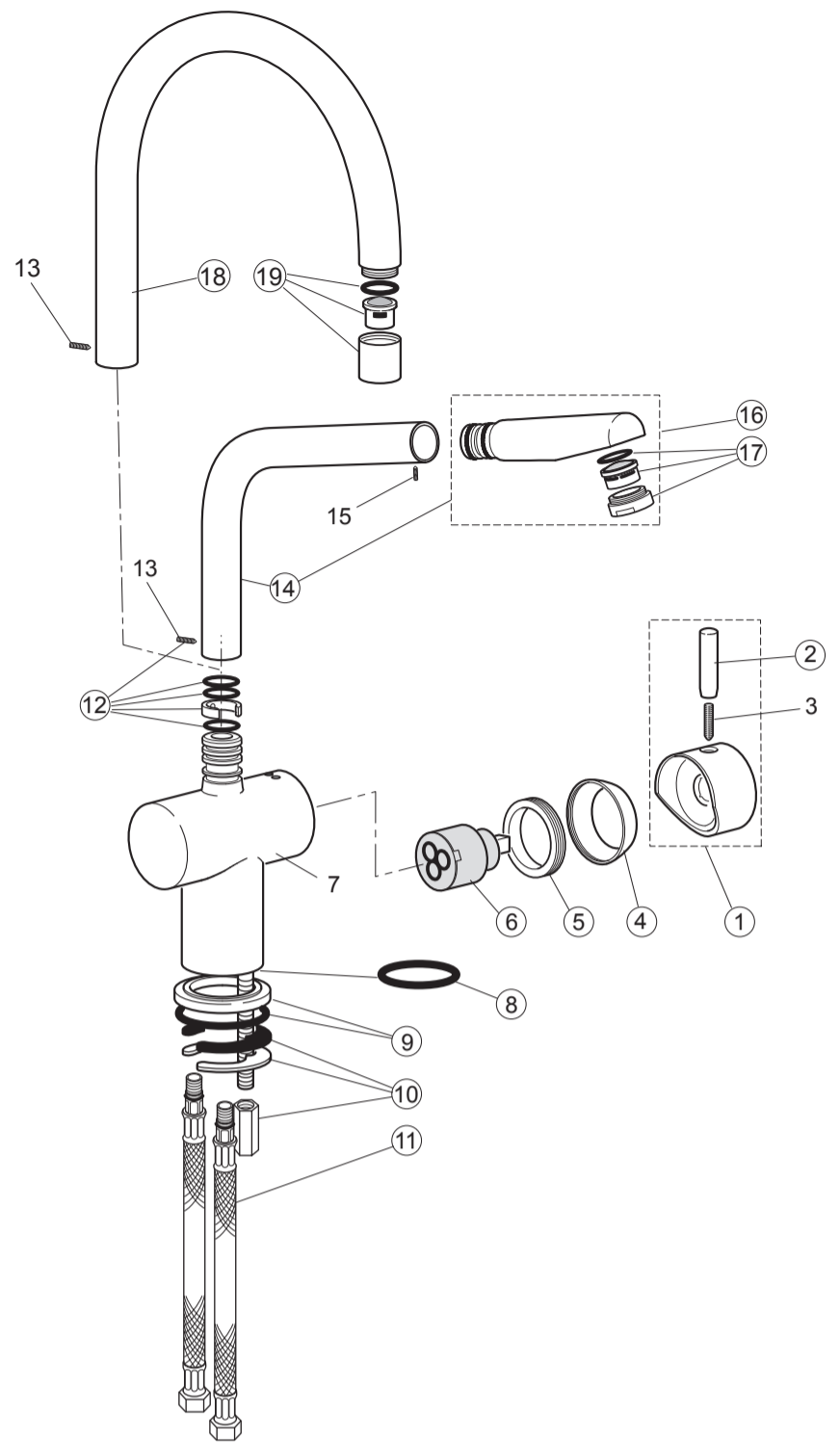




Spare Parts / Ersatzteile / Pièces de recharge / Pezzi di Ricambio / Piezas de requesto /
 Parte de reposição / Reserveonderdelen / Reservdelar / Reservedeler / Varaosat /
 Vraosat / Varahlutir / Ανταλλακτικά / Yedek Parçalar / Náhradní díly / Náhradné diely /
 Nadomestni deli / Резервни части / Запчасти / Części Zapasowe / Piese de schimb /
 Rendelhető alkatrészek / Запасні частини / Reservni delovi / Резервни делови /
 Резервни делови / Atsarginių dalių / Tellitavad varuosad / Rezervju daļi

Position

- 1 = A 860 470 AA
- 2 = F 960 107 AA
- 4 = F 960 111 AA
- 5 = F 960 112 NU
- 6 = A 960 567 NU
- 8 = F 960 185 NU
- 10 = A 963 468 NU
- 11 = A 963 305 NU
- 12 = F 960 023 NU
- 14 = F 960 511 AA
- 16 = F 960 440 AA
- 17 = A 960 321 AA
- 18 = F 960 219 AA
- 19 = F 960 181 AA



A1 GEOMETRY
 F 1096 .. F 1097 ..

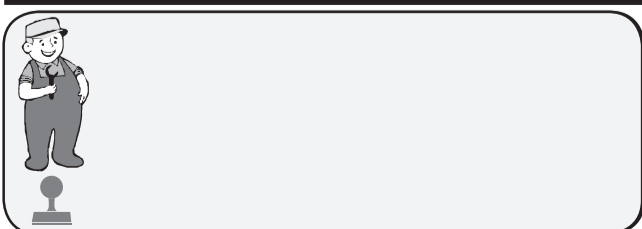


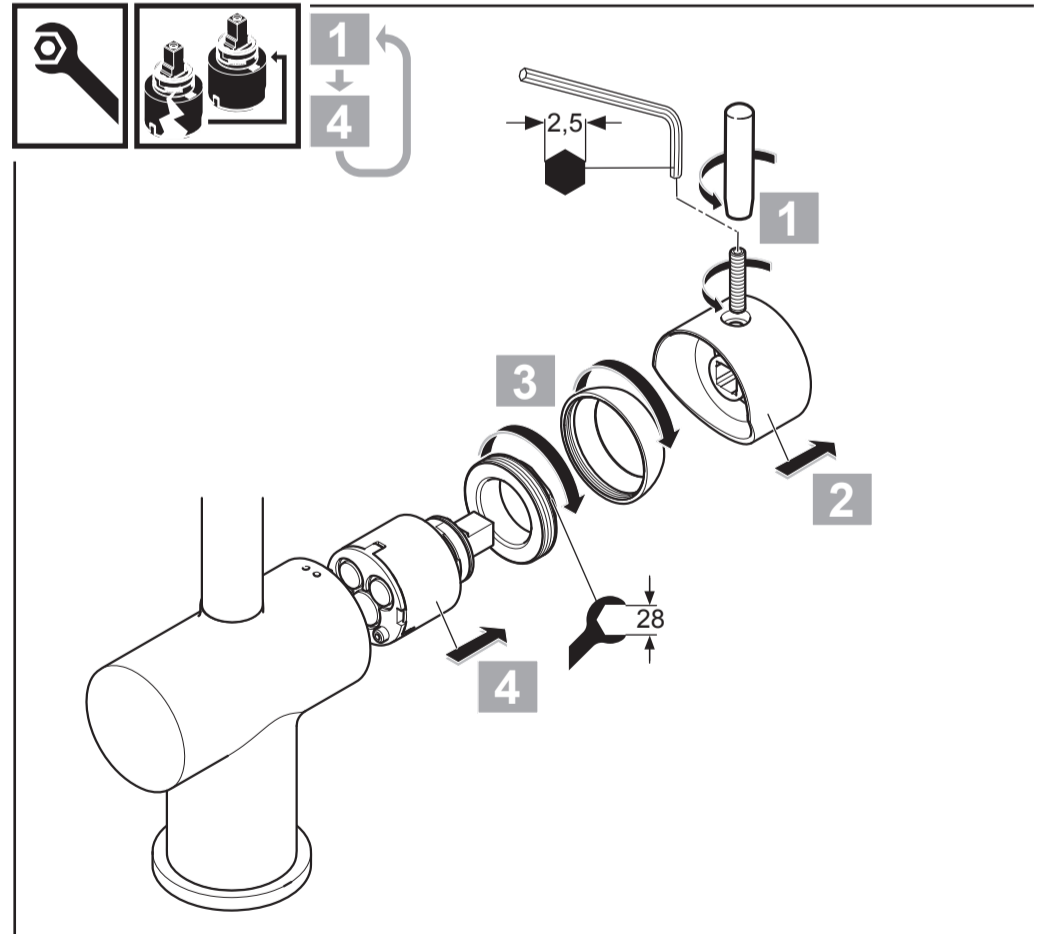
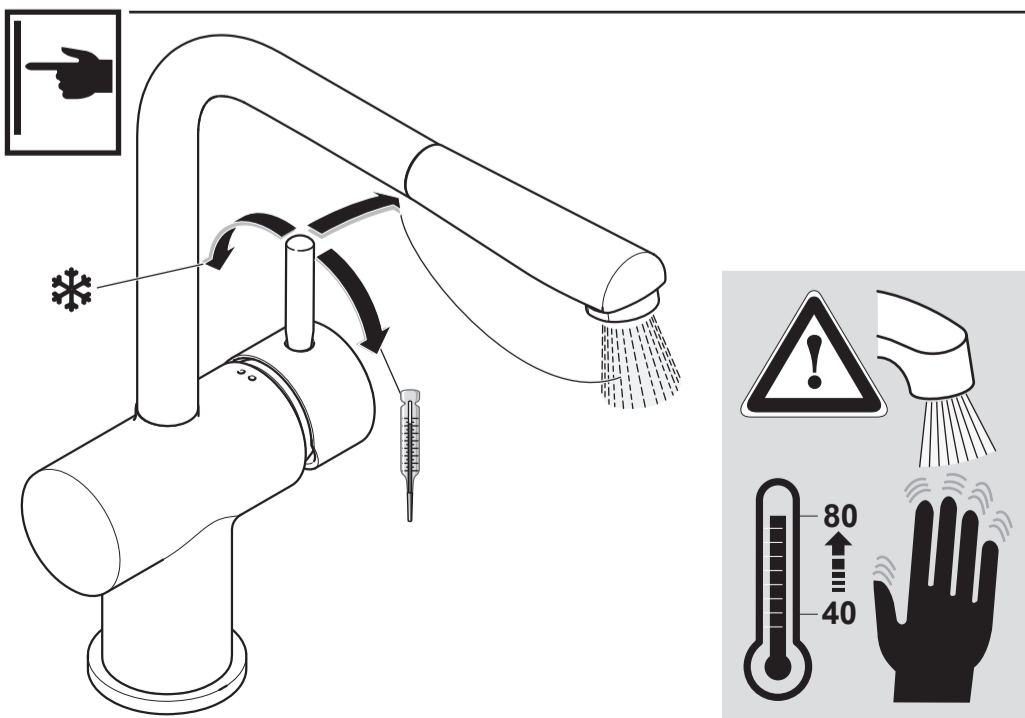
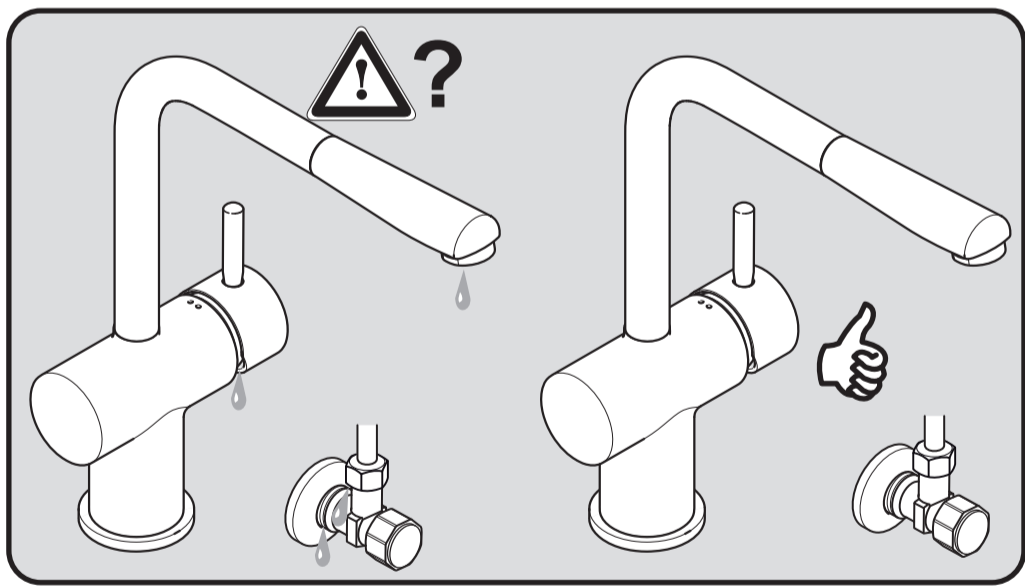
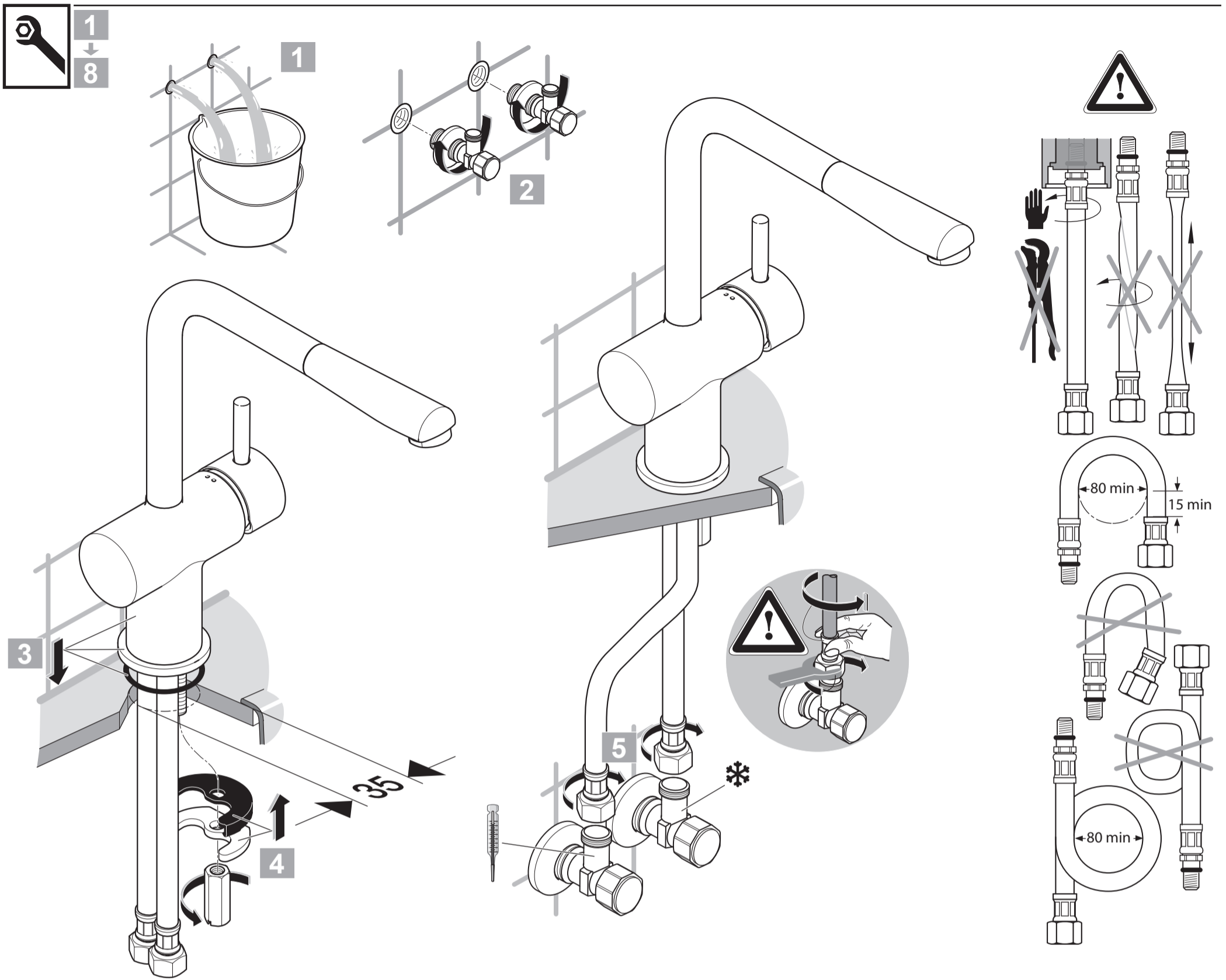
BORMA

0716 / A 866 369
 (+ A 865 665)
 Made in Germany

Ideal Standard International NV
 Corporate Village - Gent Building
 Da Vincilaan 2
 1935 Zaventem
 Belgium

www.idealstandardinternational.com





	P bar	0,5	MAX. 5		3		Q (3 bar)
	T °C		MAX. 80		65		l/min
					40		9