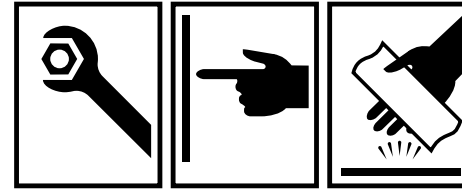
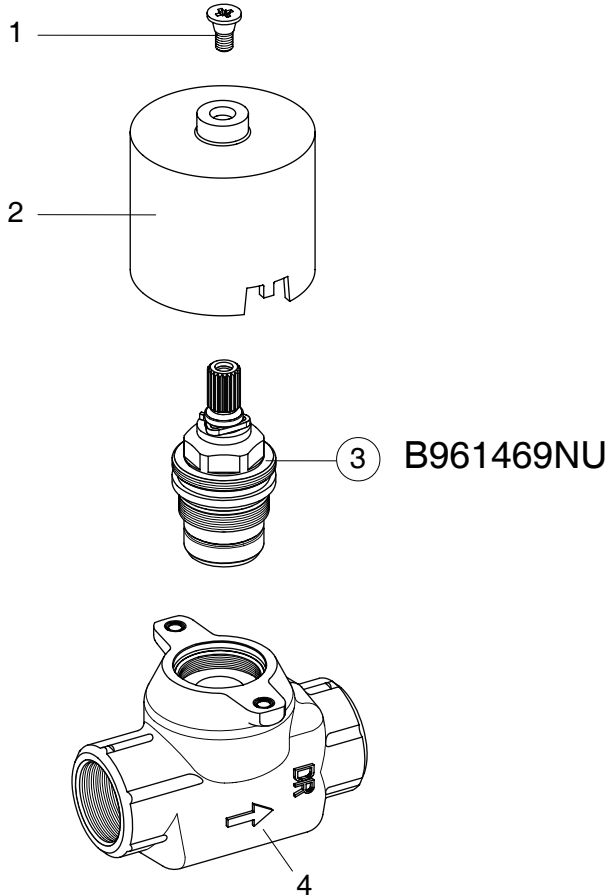


XX = AA, AD,



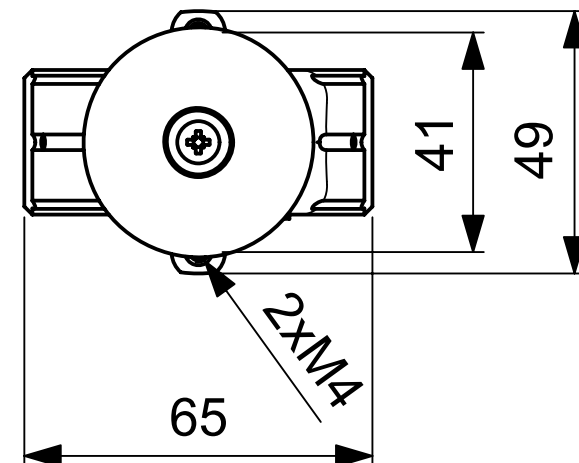
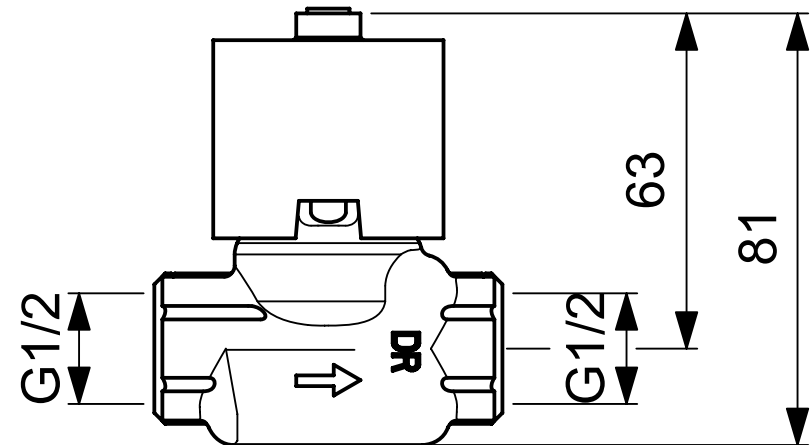
ALPHA



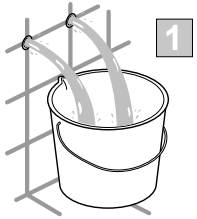
Ideal Standard

10.2021 / B665977

B C461 ..



Ideal Standard International NV
 Corporate Village – Gent Building
 Da Vincilaan 2
 1935 Zaventem
 Belgium
<http://www.idealstandardinternational.com>



 P	bar	 0,5 MAX. 10	 1 5	 Q (3 bar)
 T	°C	 MAX. 80	 40 65	l/min
				80

