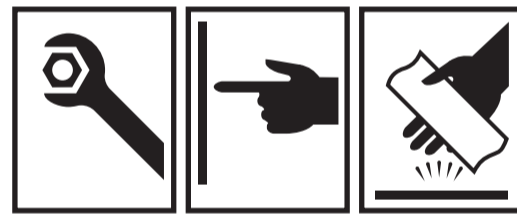
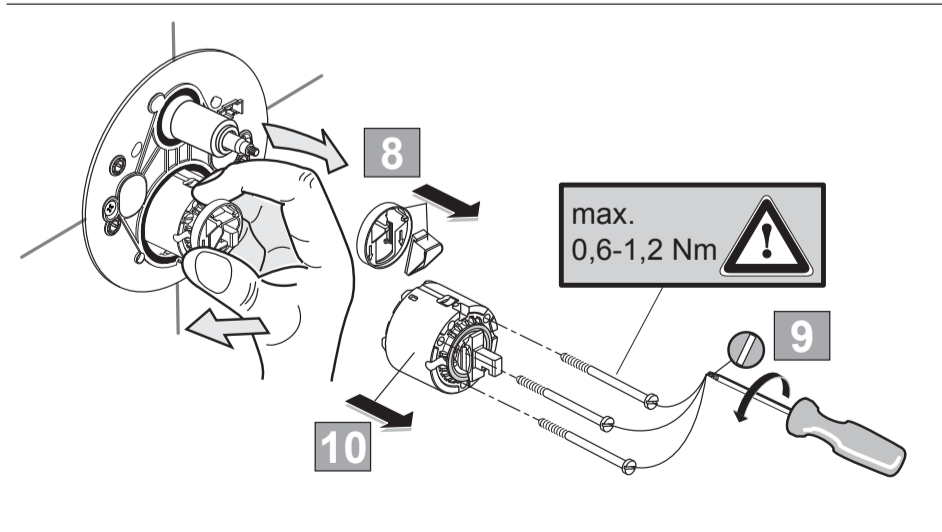
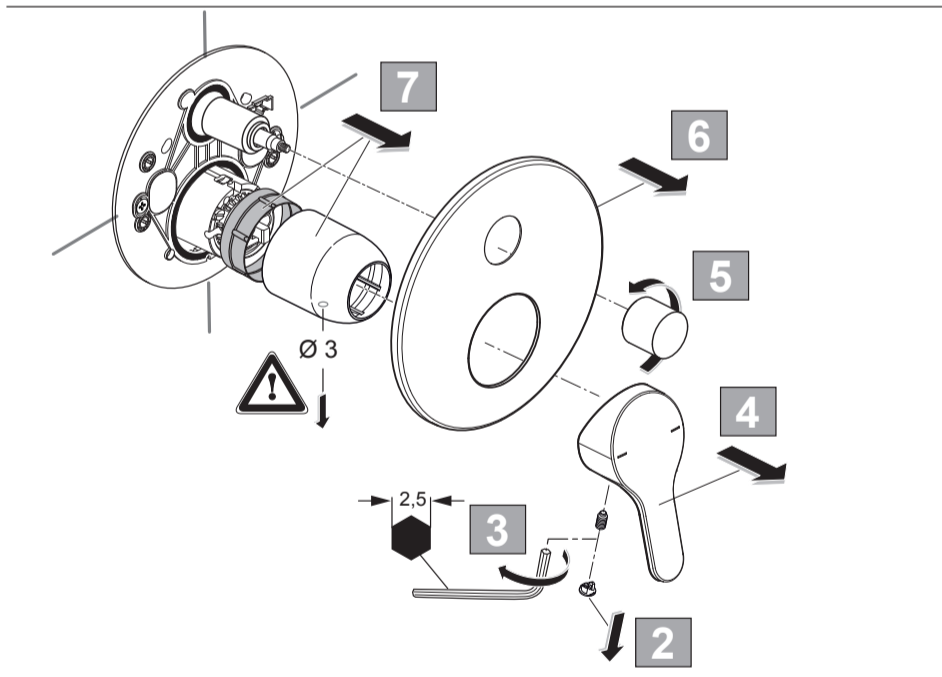
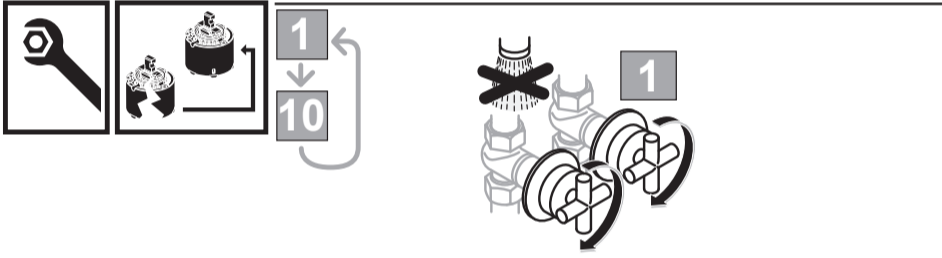
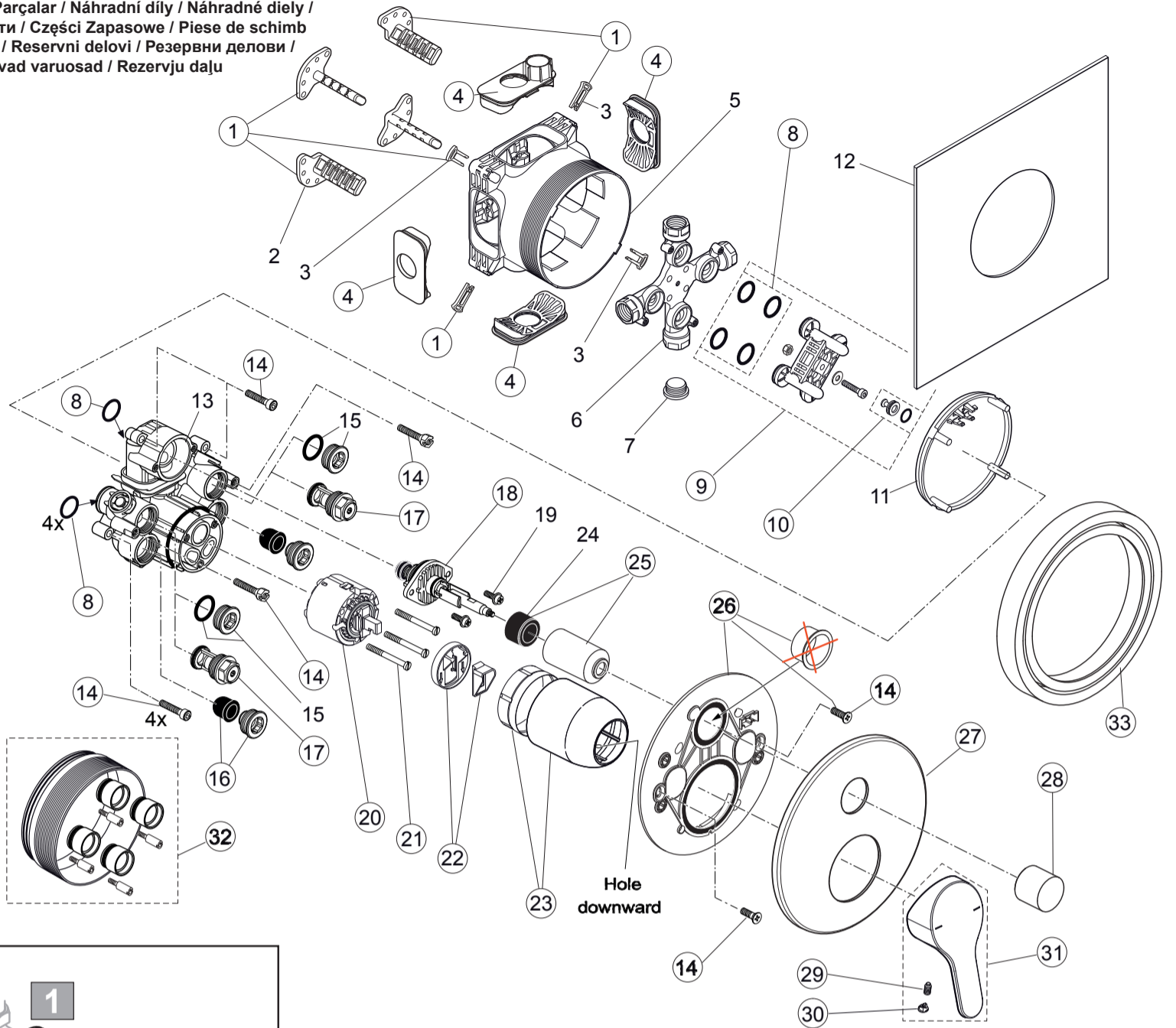




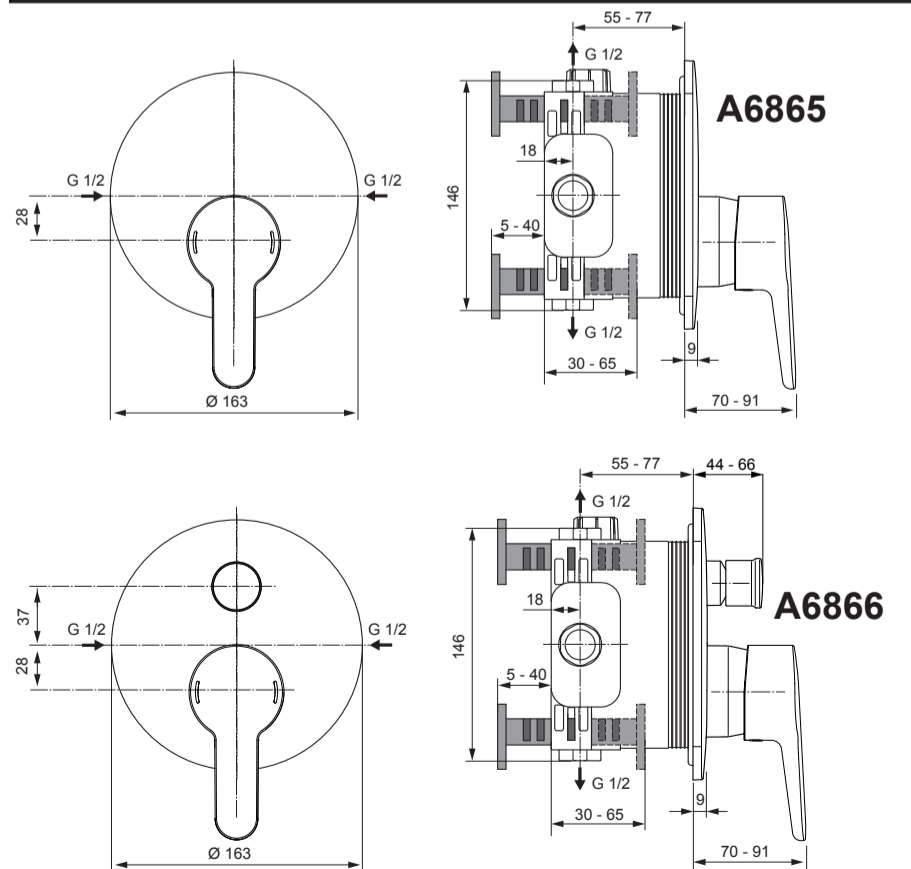
Spare Parts / Ersatzteile / Pièces de recharge / Pezzi di Ricambio / Piezas de requesto /
 Parte de reposição / Reserveonderdelen / Reservdelar / Reservedeler / Varaosat /
 Vraosat / Varahlutir / Ανταλλακτικά / Yedek Parçalar / Náhradní díly / Náhradné diely /
 Nadomestni deli / Резервни части / Запчасти / Części Zapasowe / Piese de schimb
 / Rendelhető alkatrészek / Запасні частини / Rezervni delovi / Резервни делови /
 Резервни делови / Atsarginių dalių / Tellitavad varuosad / Rezervju daļi

- 1 A 963 131 NU 1 Set
- 4 A 963 132 NU 1 Set
- 8 A 963 143 NU 1 Set
- 9 A 963 146 NU 1 Set
- 10 A 963 147 NU 1 Set
- 14 A 960 890 NU* 1 Set
- 16 A 960 891 NU 1 pcs
- 17 A 960 706 NU 2 pcs
- 18 A 963 443 NU 1 pcs
- 20 A 960 500 NU 1 Set
- 21 A 963 335 NU 3 pcs
- 22 A 860 700 NU 1 Set
- 23 A 960 893 AA 1 Set
- 25 A 860 902 AA 1 pcs
- 26 A 860 897 NU 1 Set
- 27 A 860 204 AA 1 pcs A6765
- A 861 203 AA 1 pcs A6766
- 28 A 860 989 AA 1 pcs
- 29 A 963 309 NU 1 pcs
- 30 B 960 473 AA 1 pcs
- 31 A 861 202 AA 1 Set
- 32 A 960 704 NU 1 Set
- A 962 476 NU 1 Set
- 33 A 6677 AA 1 Set



CERAPLUS 2
A6865 .. A6866 ..

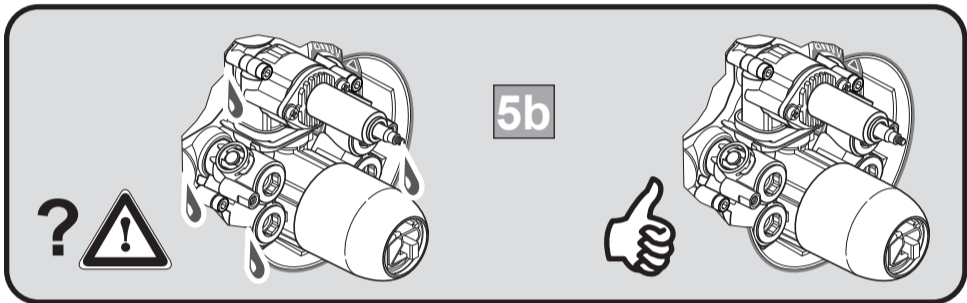
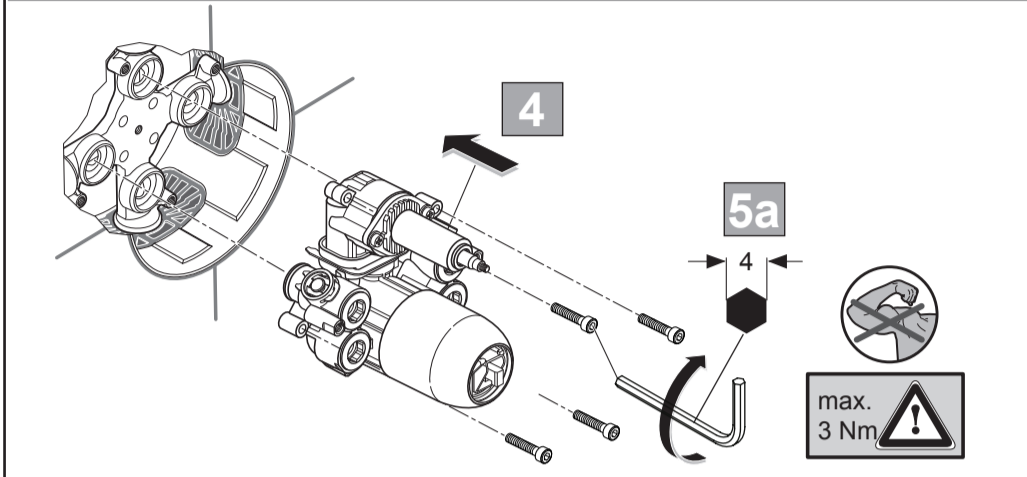
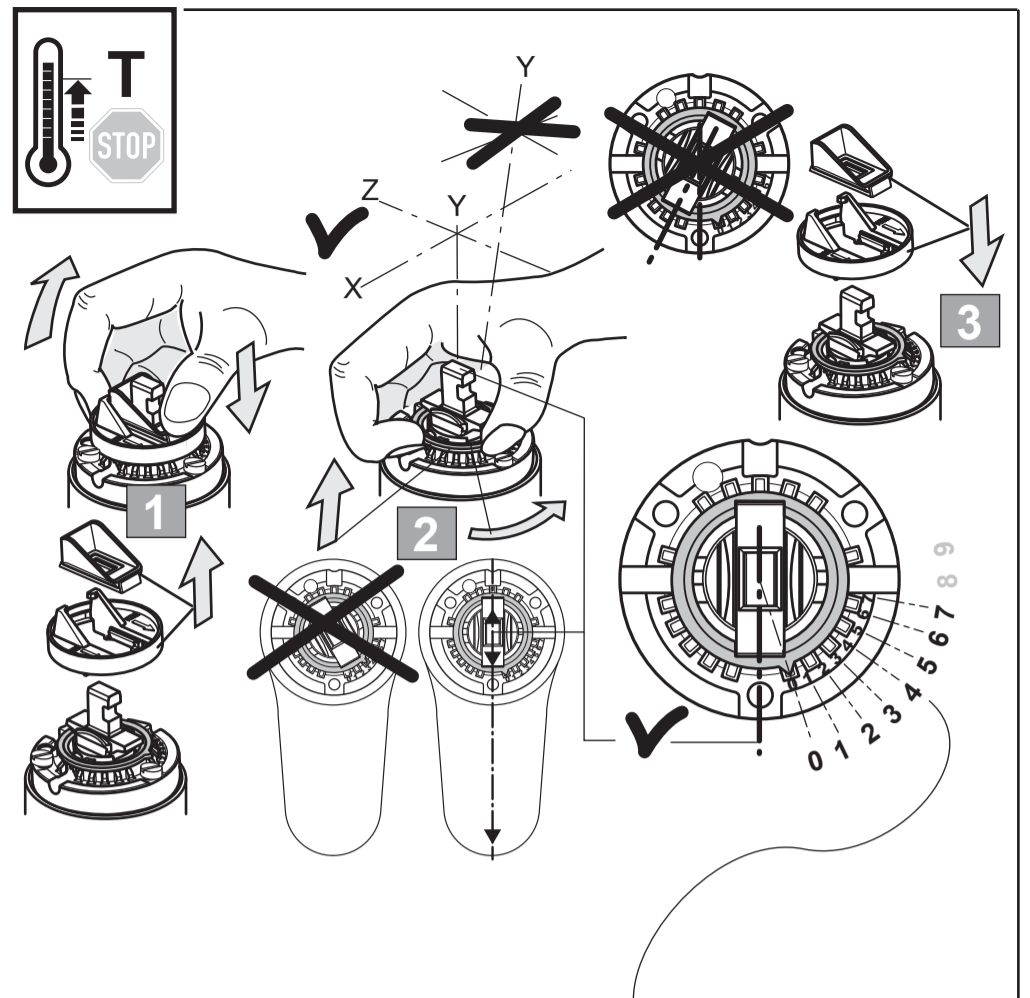
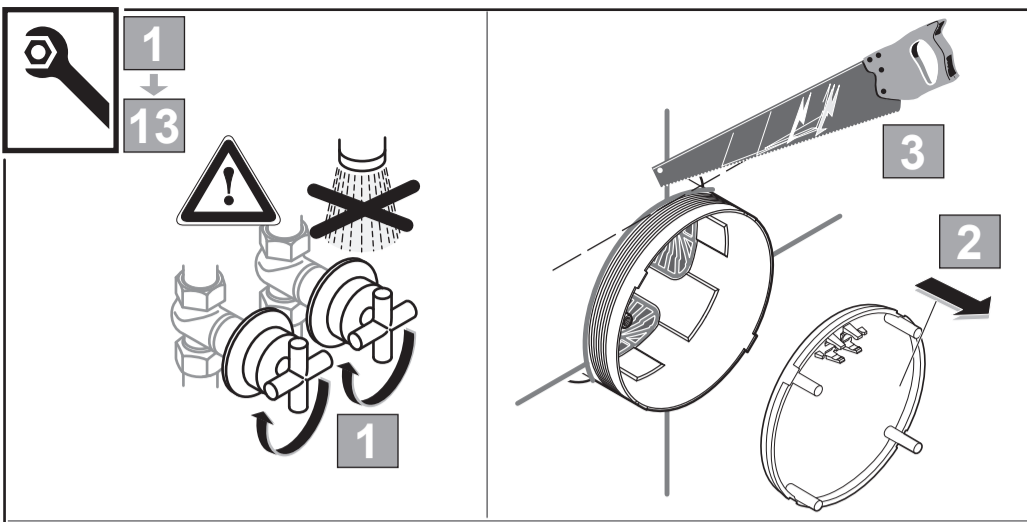
0317 / A 868 331
 A865612
 Made in Germany



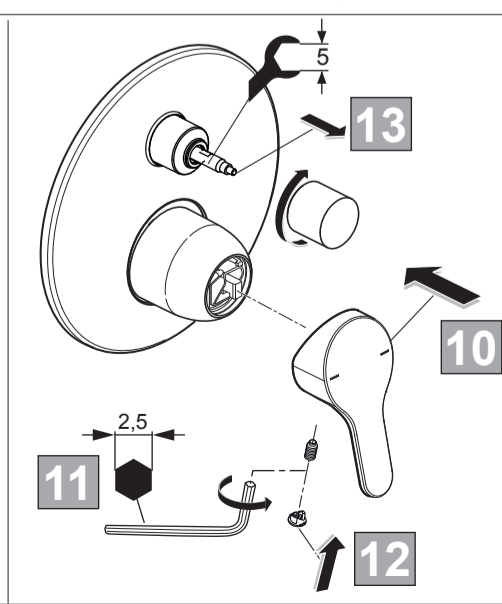
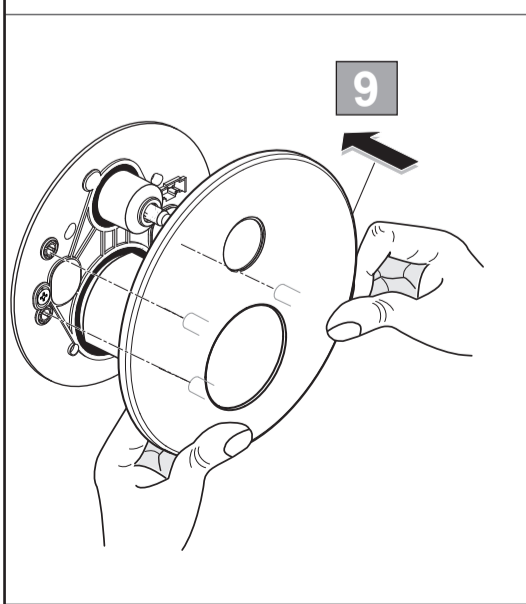
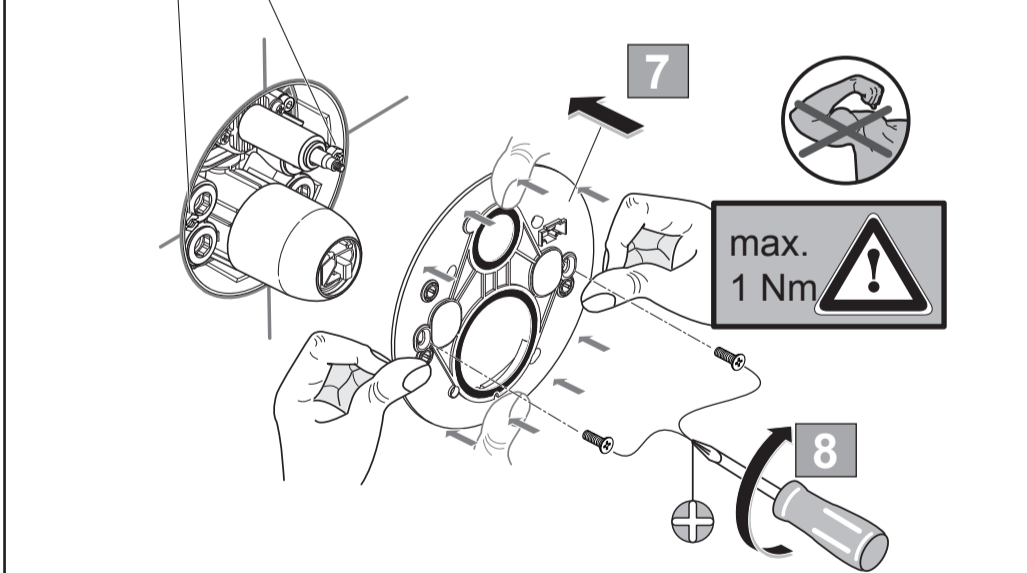
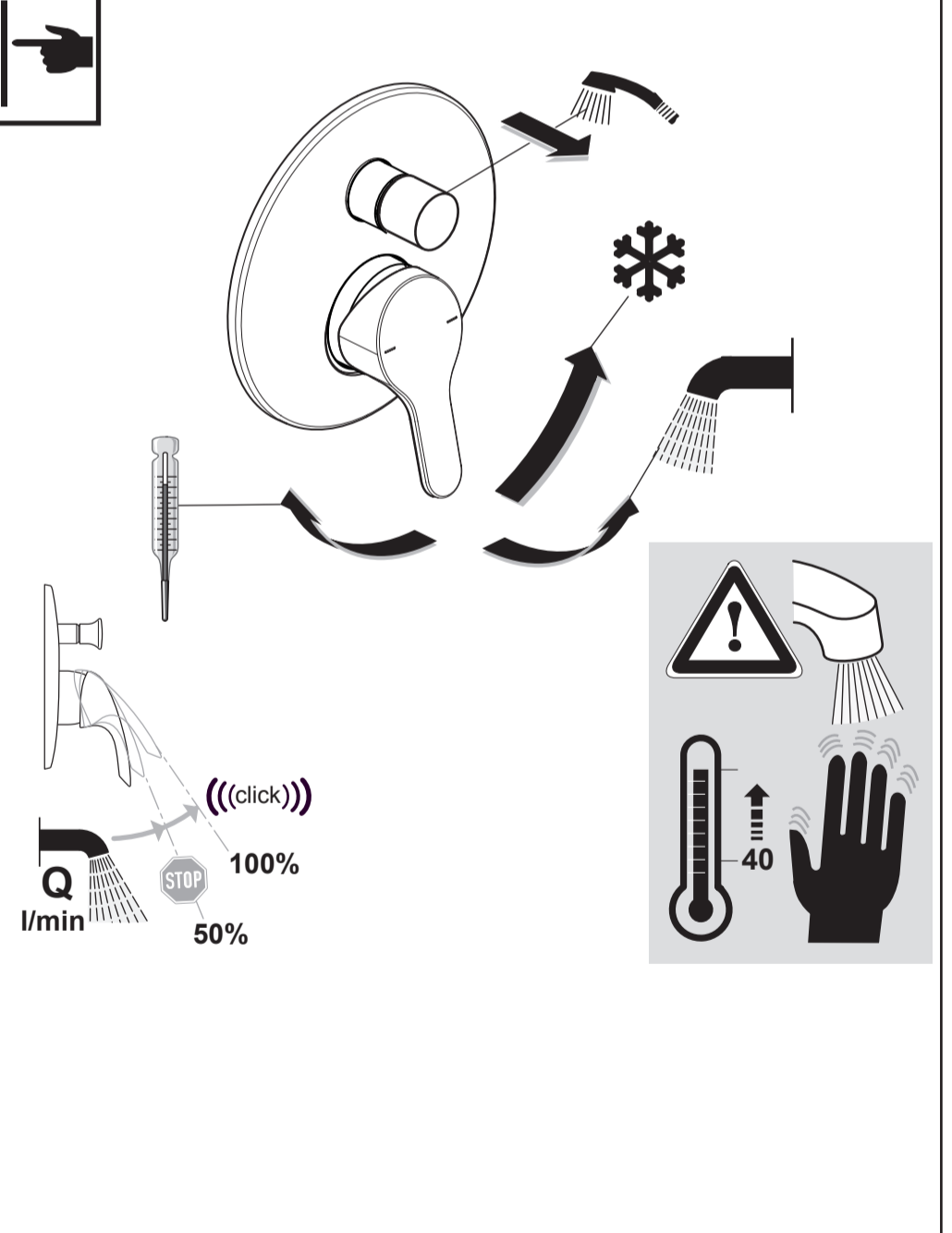
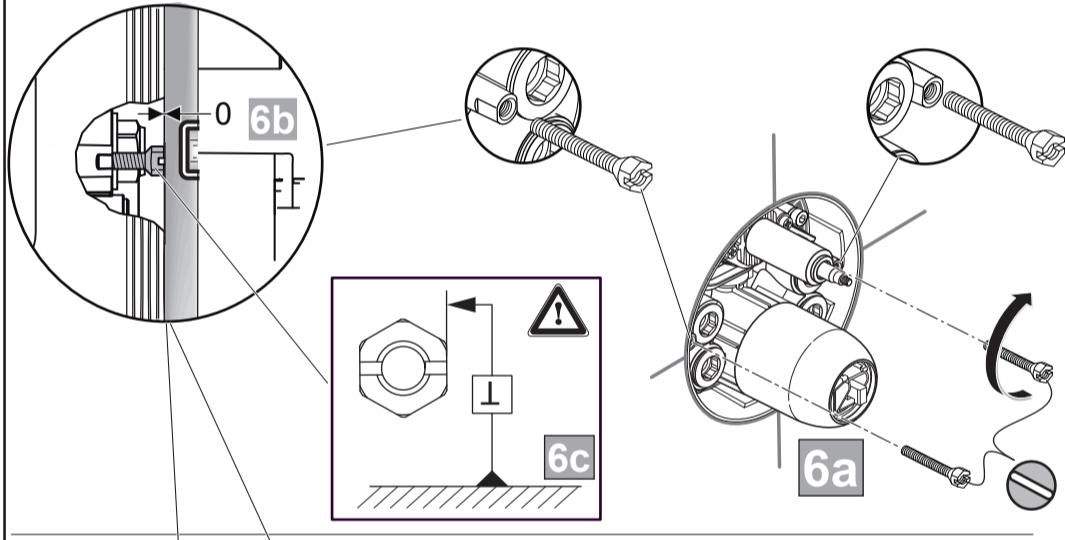
Ideal Standard International NV
 Corporate Village - Gent Building
 Da Vincilaan 2
 1935 Zaventem
 Belgium

www.idealstandardinternational.com





| Pressure 0,3 MPa 3 bar | Temperature °C | Snowflake icon | 0 | 1 | 2 | 3 | 4 | 5 | 6 | 7 | 8 | 9 |
|------------------------------|-------------------|----------------|------|------|------|------|------|------|----|------|------|------|
| | | | °C | °C | °C | °C | °C | °C | °C | °C | °C | °C |
| | 50°C | 16°C | 49,5 | 49,5 | 48 | 46 | 42,5 | 41 | 37 | 33,5 | 31 | 28 |
| | 65°C | 16°C | 65 | 65 | 63,5 | 60,5 | 57 | 53,5 | 49 | 44,5 | 39 | 34,5 |
| | 81°C | 16°C | 81 | 81 | 78,5 | 73 | 69 | 63,5 | 56 | 49 | 42,5 | 36 |



| | | | | | |
|----------|-----|-----|---------|----|-----------|
| P | bar | 0,5 | MAX. 10 | 5 | Q (3 bar) |
| T | °C | | MAX. 80 | 65 | l/min |
| | | | | 40 | 25 |