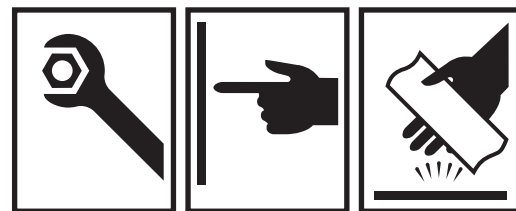
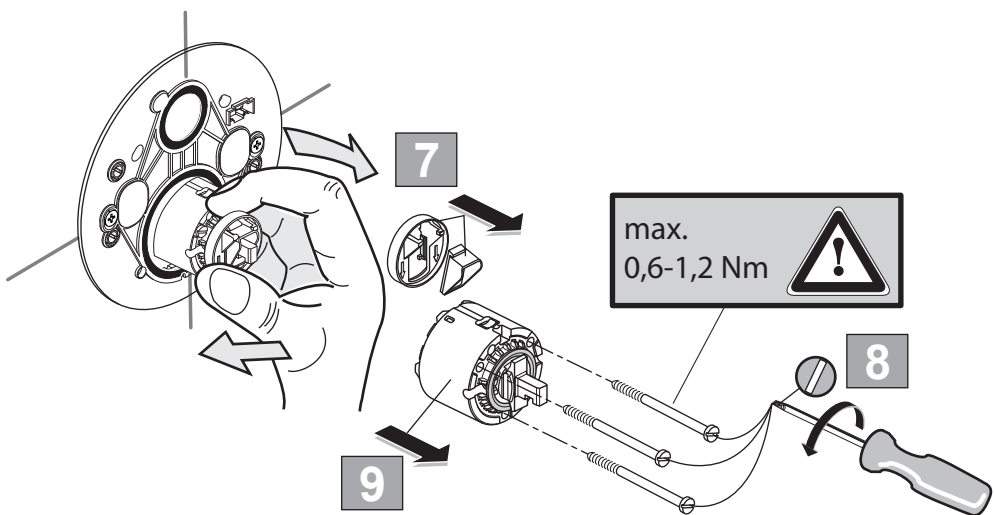
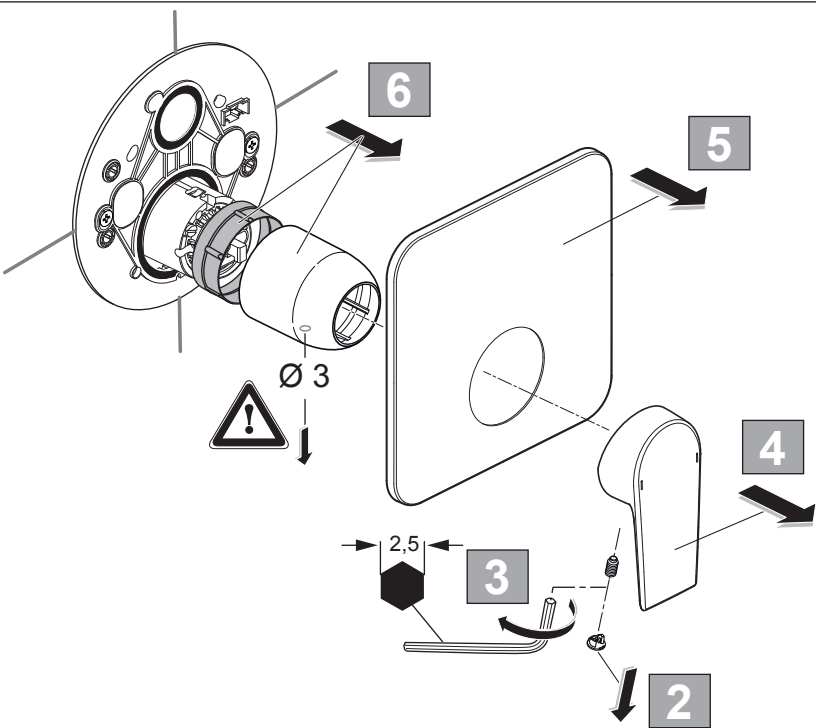
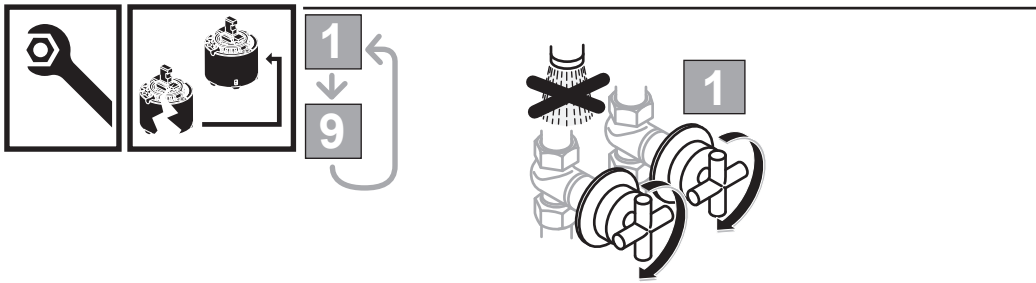
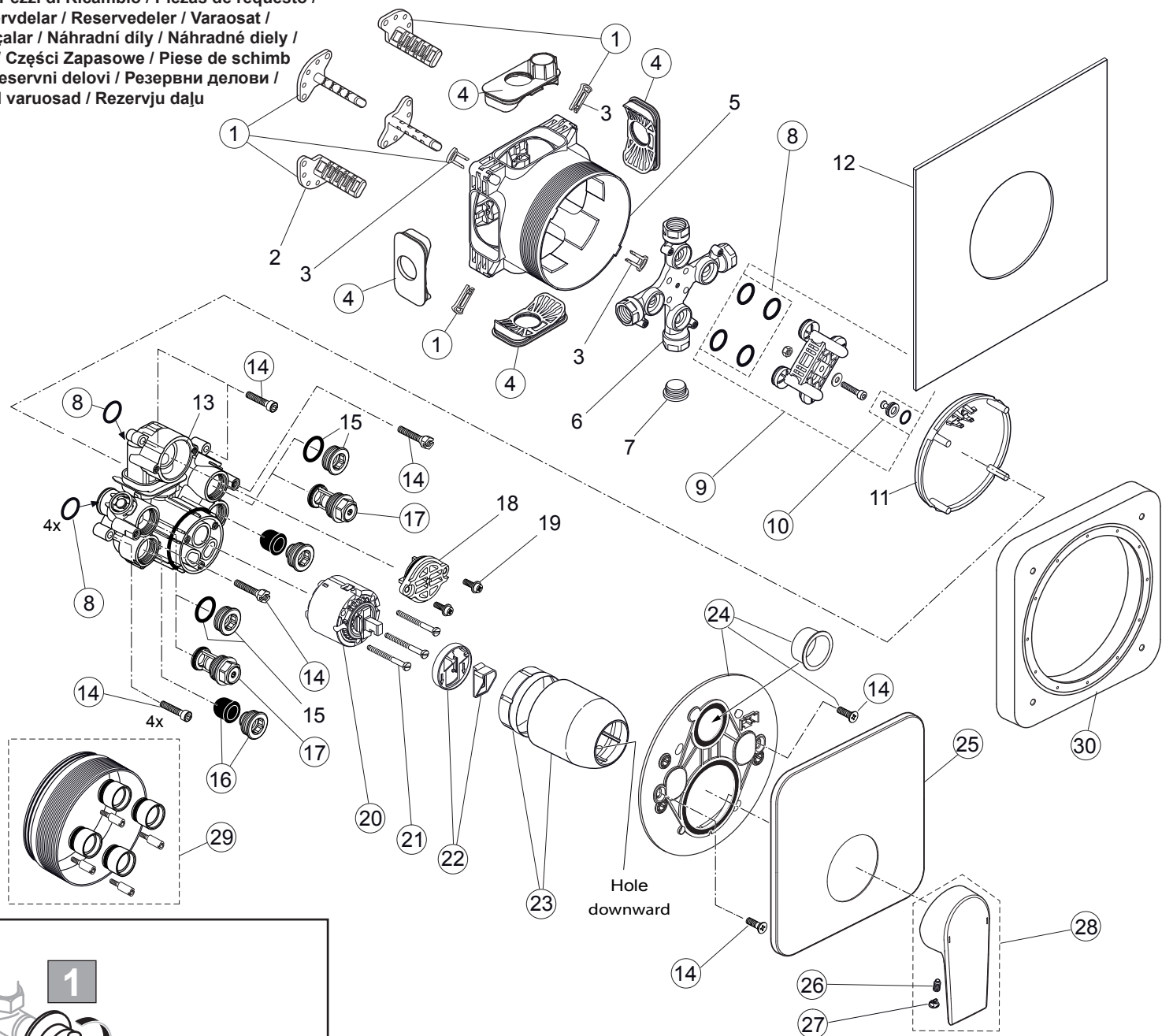




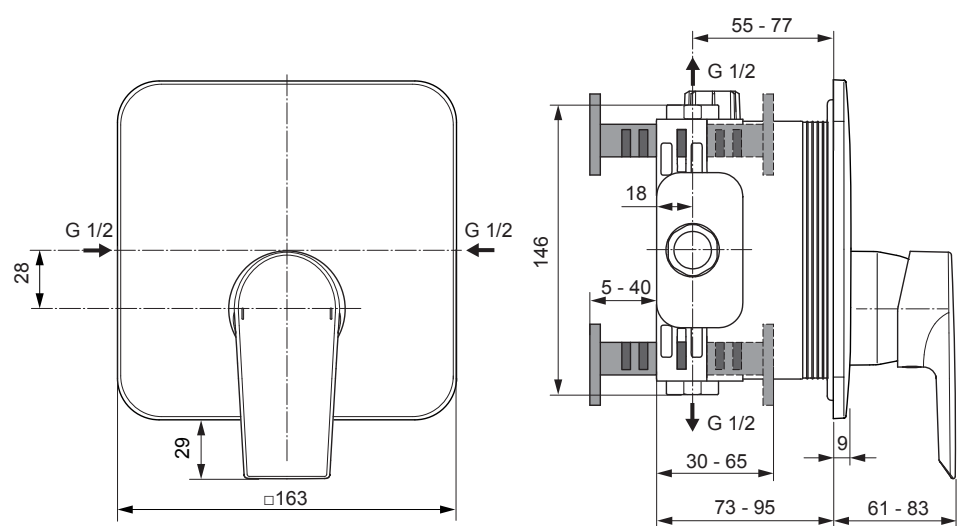
Spare Parts / Ersatzteile / Pièces de recharge / Pezzi di Ricambio / Piezas de requesto /  
 Parte de reposição / Reserveonderdelen / Reservdelar / Reservedeler / Varaosat /  
 Vraosat / Varahlutir / Ανταλλακτικά / Yedek Parçalar / Náhradní díly / Náhradné diely /  
 Nadomestni deli / Резервни части / Запчасти / Części Zapasowe / Piese de schimb  
 / Rendelhető alkatrészek / Запасні частини / Reservni delovi / Резервни делови /  
 Резервни делови / Atsarginių dalių / Tellitavad varuosad / Rezervju daļi

- |    |              |       |
|----|--------------|-------|
| 1  | A 963 131 NU | 1 Set |
| 4  | A 963 132 NU | 1 Set |
| 8  | A 963 143 NU | 1 Set |
| 9  | A 963 146 NU | 1 Set |
| 10 | A 963 147 NU | 1 Set |
| 14 | A 960 890 NU | 1 Set |
| 16 | A 960 891 NU | 1 pcs |
| 17 | A 960 706 NU | 2 pcs |
| 20 | A 960 500 NU | 1 Set |
| 21 | A 963 335 NU | 3 pcs |
| 22 | A 860 700 NU | 1 Set |
| 23 | A 960 893 AA | 1 Set |
| 24 | A 860 897 NU | 1 Set |
| 25 | A 860 898 AA | 1 pcs |
| 26 | A 963 309 NU | 1 pcs |
| 27 | B 960 473 AA | 1 pcs |
| 28 | A 861 020 AA | 1 Set |
| 29 | A 960 704 NU | 1 Set |
| 30 | A 962 476 NU | 1 Set |
|    | A 6678 AA    | 1 Set |



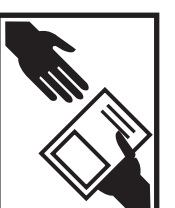
**Tesi**  
**A 6585 ...**

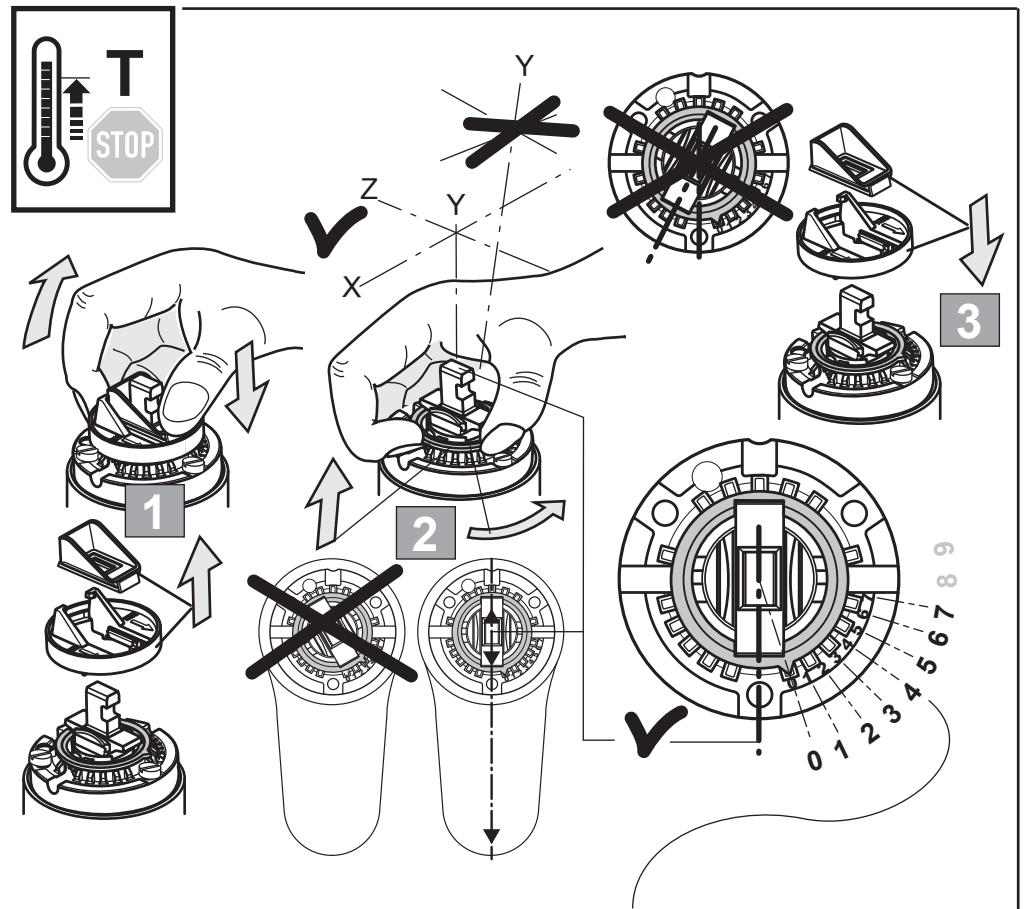
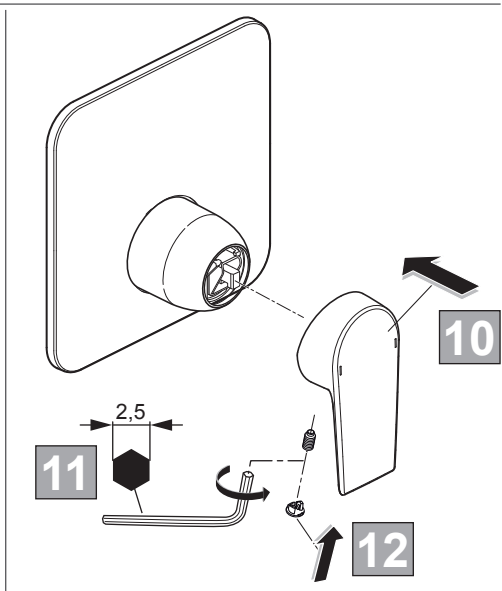
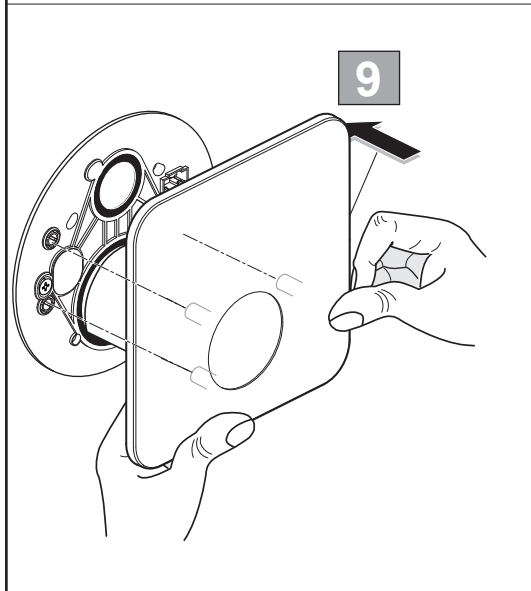
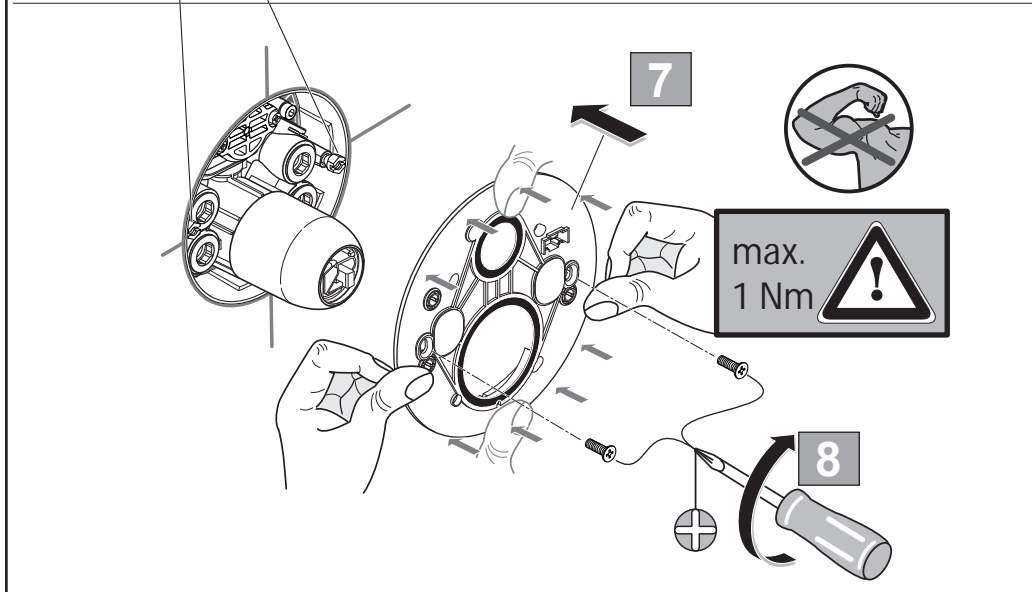
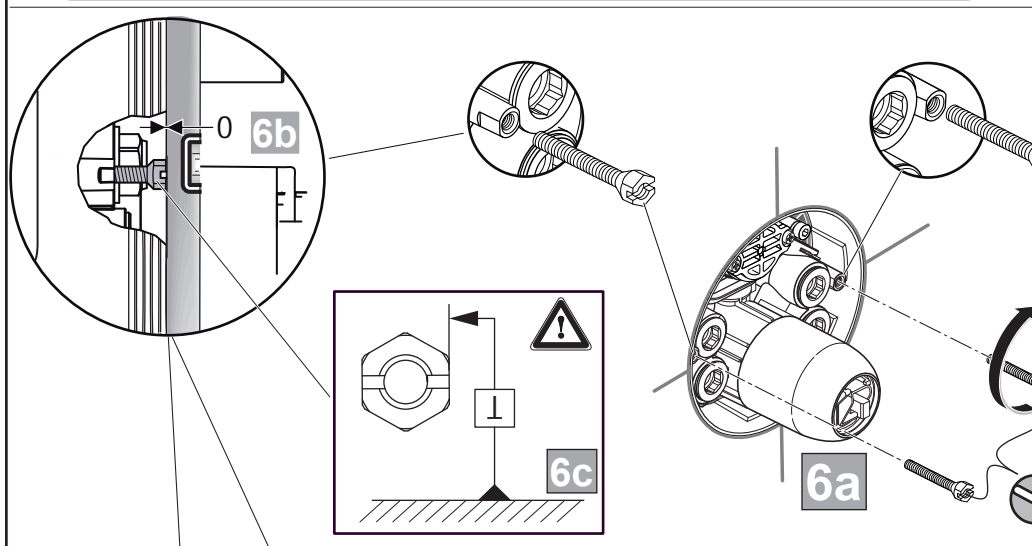
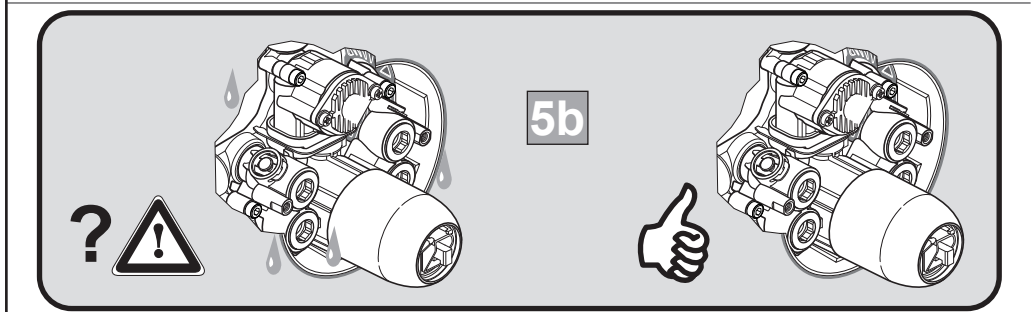
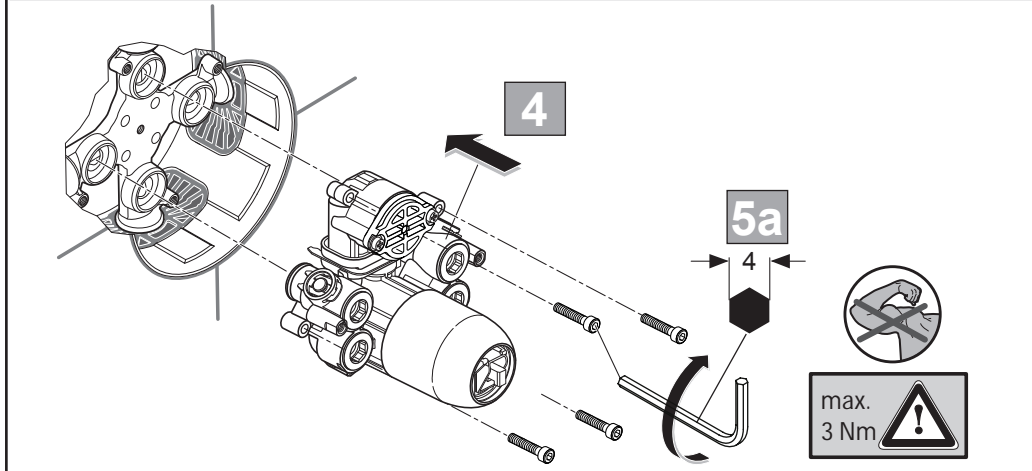
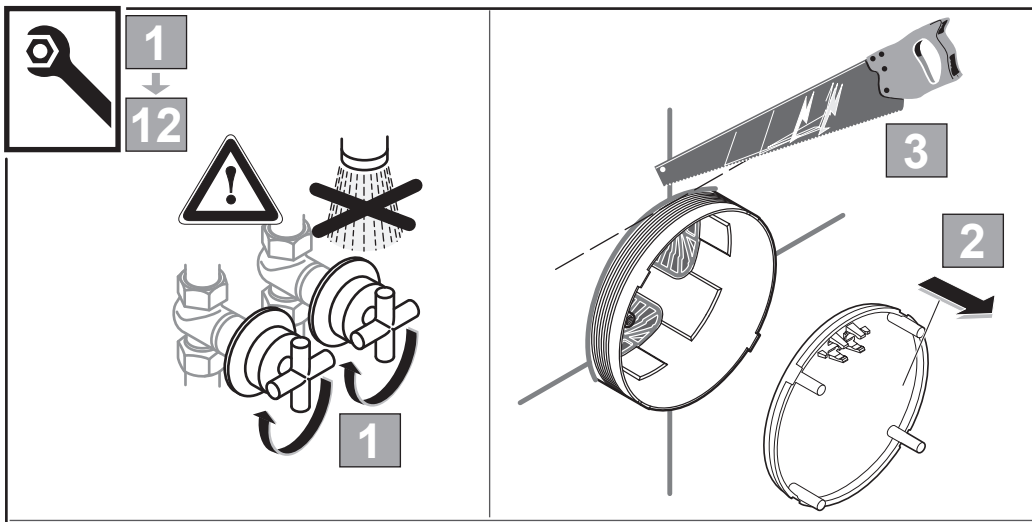
0116 / A 868 160  
 (+ A 865 612)  
 Made in Germany



Ideal Standard International NV  
 Corporate Village - Gent Building  
 Da Vincilaan 2  
 1935 Zaventem  
 Belgium

[www.idealstandardinternational.com](http://www.idealstandardinternational.com)





Pressure 0,3 MPa 3 bar	Temperature °C	0	1	2	3	4	5	6	7	8	9
		50°C	16°C	49,5	49,5	48	46	42,5	41	37	33,5
65°C	16°C	65	65	63,5	60,5	57	53,5	49	44,5	39	34,5
81°C	16°C	81	81	78,5	73	69	63,5	56	49	42,5	36



Pressure P bar	Temperature T °C	Pressure MAX. 10 0,5	Temperature MAX. 80 5	Pressure Q (3 bar)
1	65	1	40	25