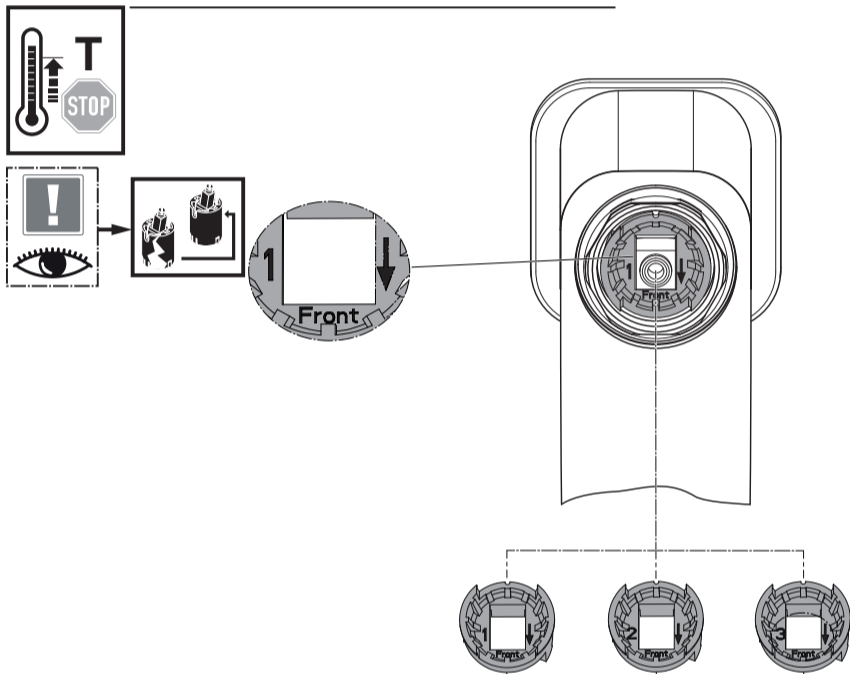
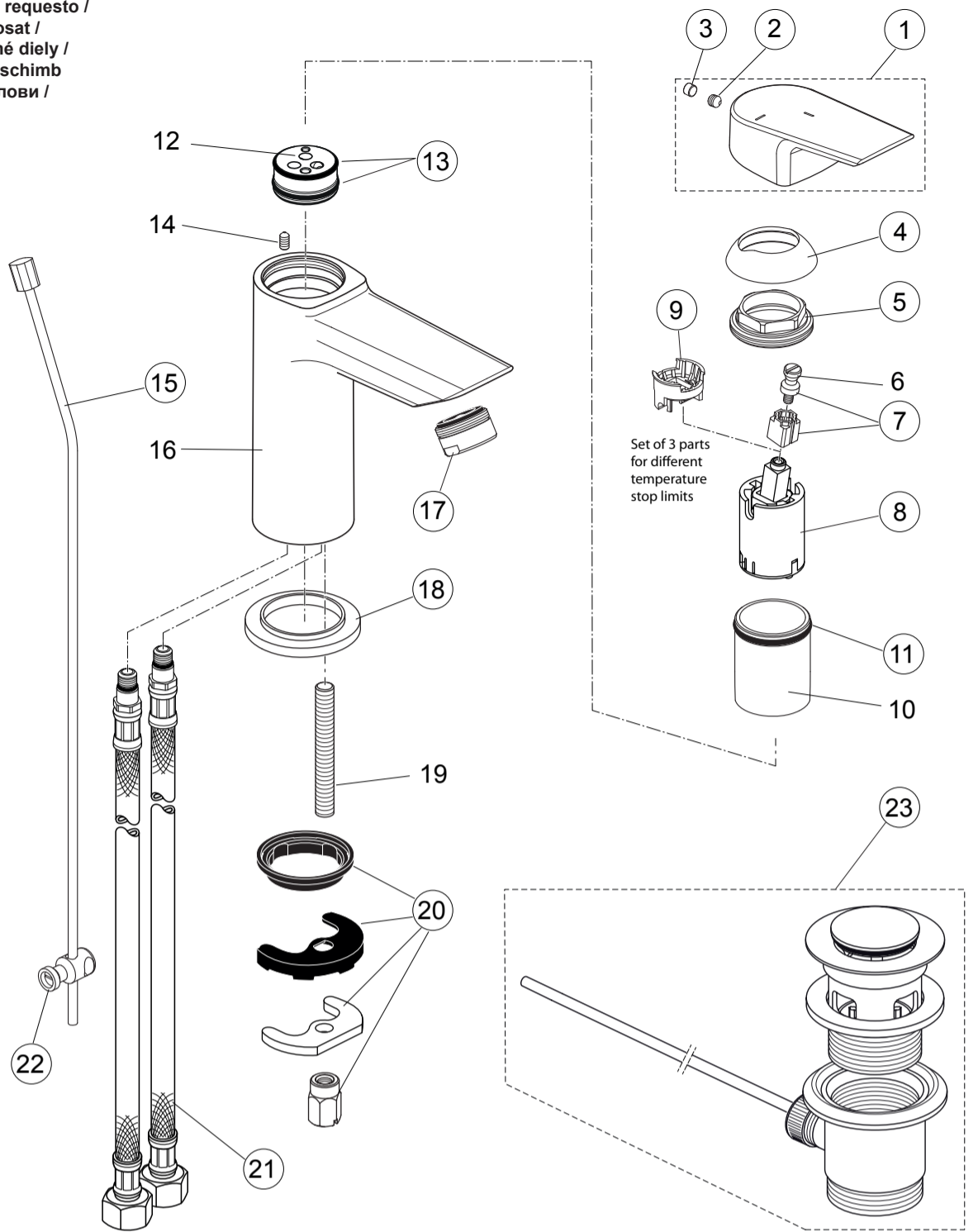


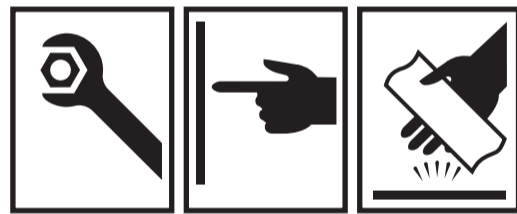


Spare Parts / Ersatzteile / Pièces de recharge / Pezzi di Ricambio / Piezas de requesto /
 Parte de reposição / Reserveonderdelen / Reservdelar / Reservedeler / Varaosat /
 Vraosat / Varahlutir / Ανταλλακτικά / Yedek Parçalar / Náhradní díly / Náhradné diely /
 Nadomestni deli / Резервни части / Запчасти / Części Zapasowe / Piese de schimb
 / Rendelhető alkatrészek / Запасні частини / Reservni delovi / Резервни делови /
 Резервни делови / Atsarginių dalių / Tellitavad varuosad / Rezervju daļu

- | | | |
|----|--------------|---------------|
| 1 | A 861 023 AA | 1 Set |
| 2 | A 860 603 NU | 1 pcs |
| 3 | A 963 751 NU | 1 pcs |
| 4 | F 960 975 AA | 1 pcs |
| 5 | B 961 087 NU | 1 pcs |
| 7 | A 860 892 NU | 1 Set |
| 8 | F 960 855 NU | 1 Set |
| 9 | B 961 088 NU | 1 Set |
| 11 | A 963 299 NU | 1 pcs |
| 13 | A 962 825 NU | 1 pcs |
| 15 | B 961 119 AA | 1 Set |
| 17 | B 960 754 AA | 1 pcs |
| 18 | B 960 712 AA | 1 pcs |
| 20 | A 964 520 NU | 1 Set |
| 21 | A 962 370 NU | 1 pcs (425mm) |
| | A 962 005 NU | 1 pcs (500mm) |
| | B 960 364 NU | 1 pcs (620mm) |
| 22 | A 961 172 NU | 1 pcs |
| 23 | A 962 991 AA | 1 Set |

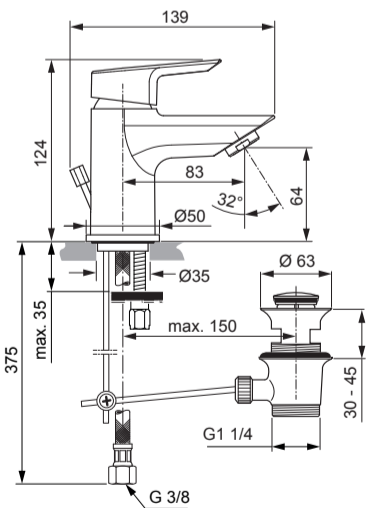


| P | 50°C | 13°C | Temperature Settings | | | |
|------------------|------|------|----------------------|------|------|------|
| | | | 1 | 2 | 3 | °C |
| 0,3 MPa 3 bar | 50°C | 13°C | 50 | 44 | 39 | 35,5 |
| | 65°C | 13°C | 65 | 54,5 | 48 | 43,5 |
| | 75°C | 13°C | 75 | 64 | 55,5 | 50,5 |

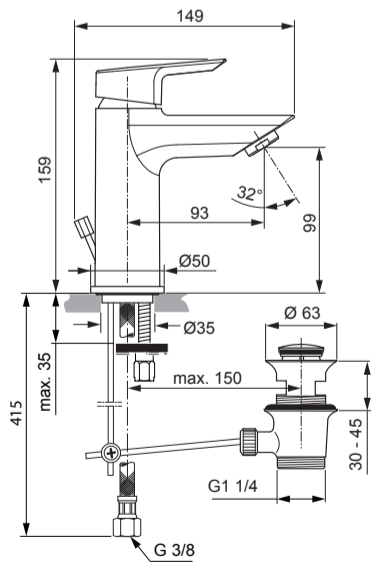


Tesi
 A 6558 .. A 6560 .. A 6564 .. A 6565 ..
 A 6567 .. A 6569 .. A 6575 .. A 6576 ..

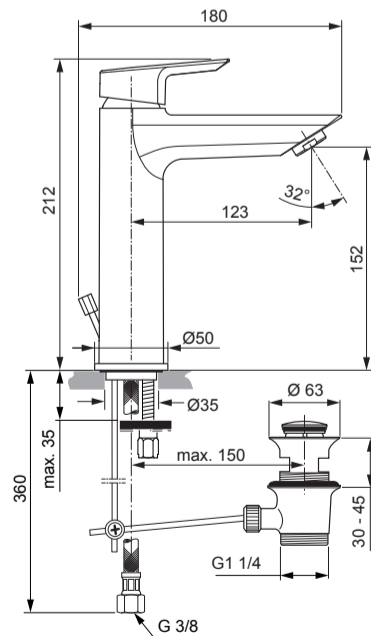
1015 / A 868 153
 (+ A 865 612)
 Made in Germany



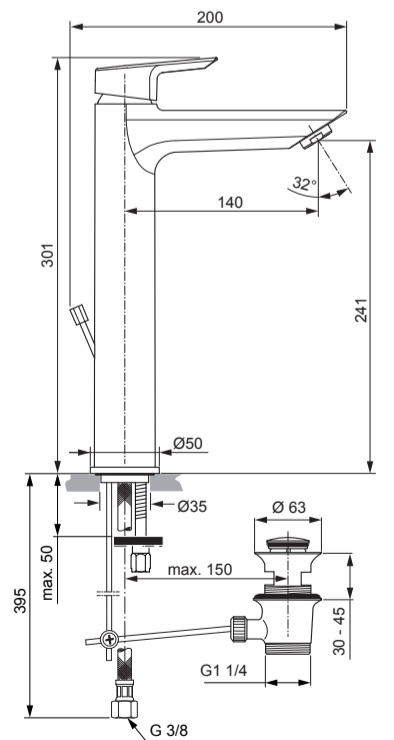
A6567
A6569



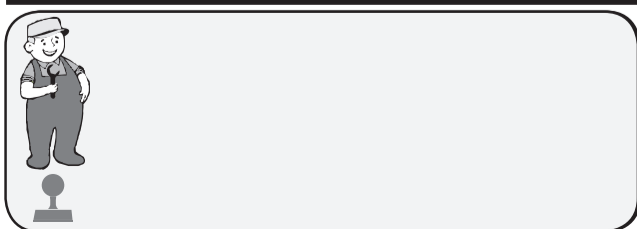
A6558
A6560



A6564
A6565



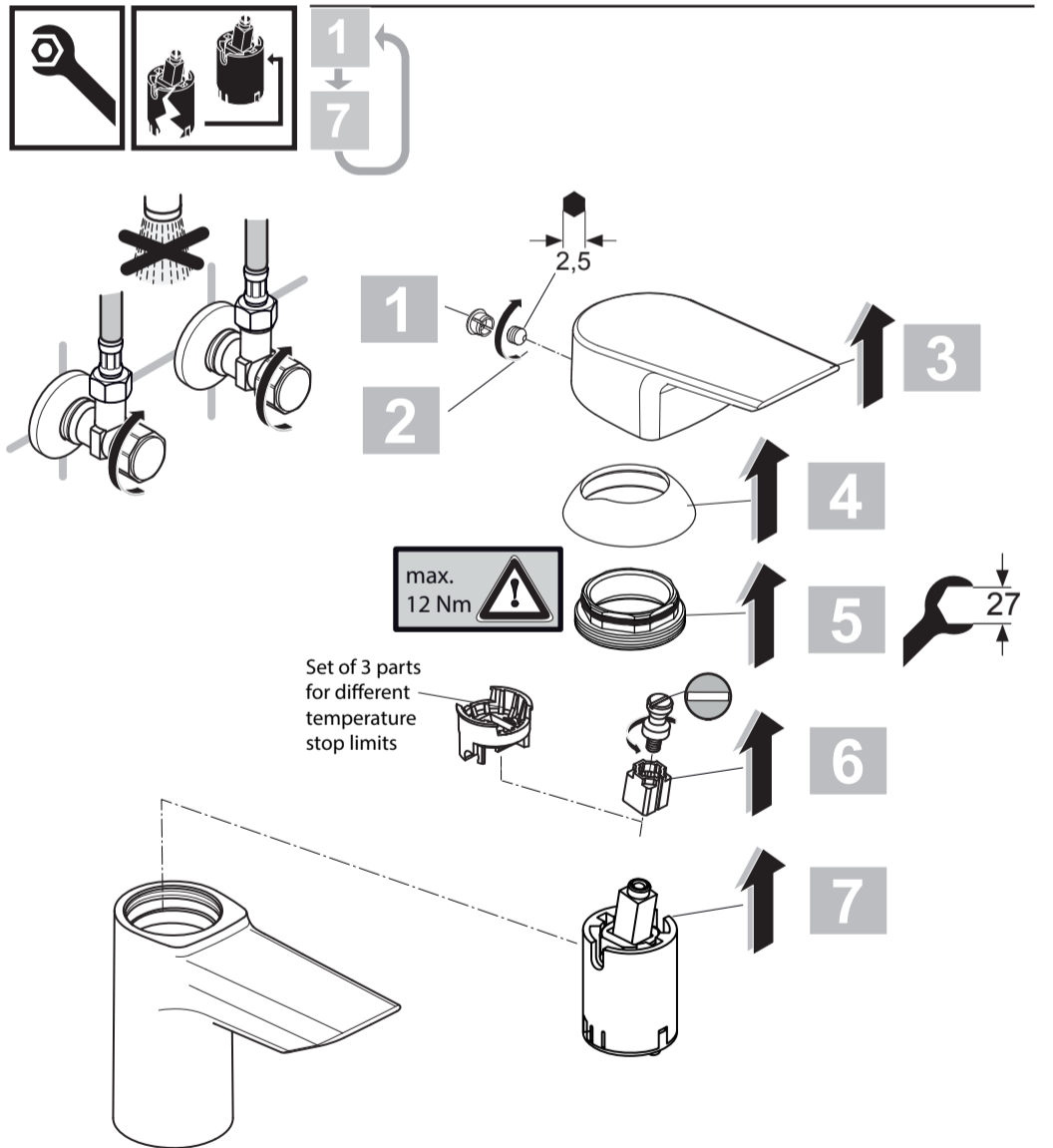
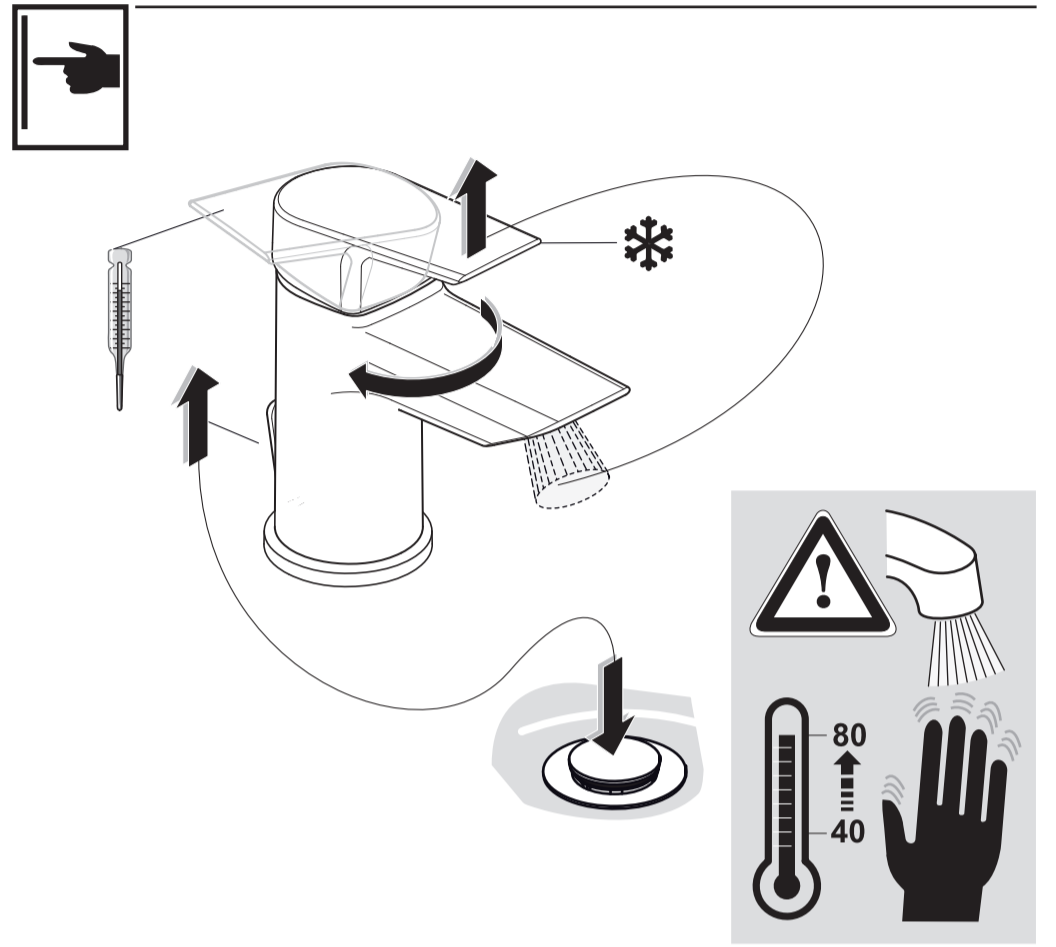
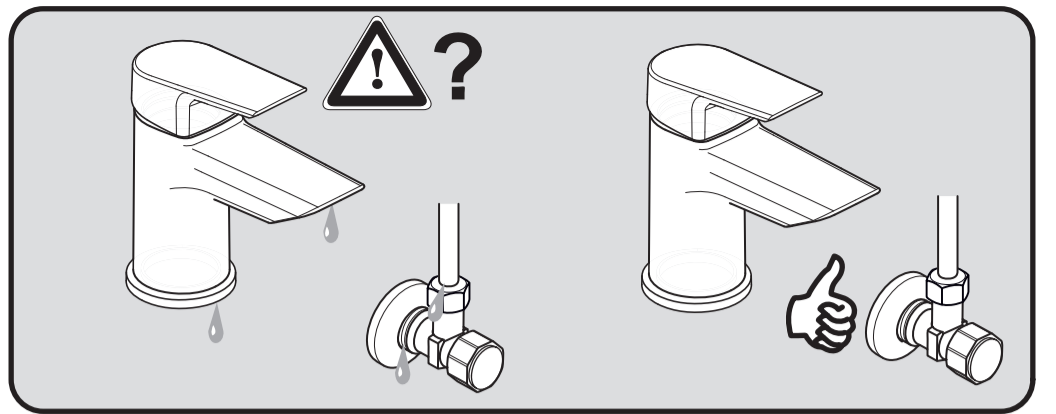
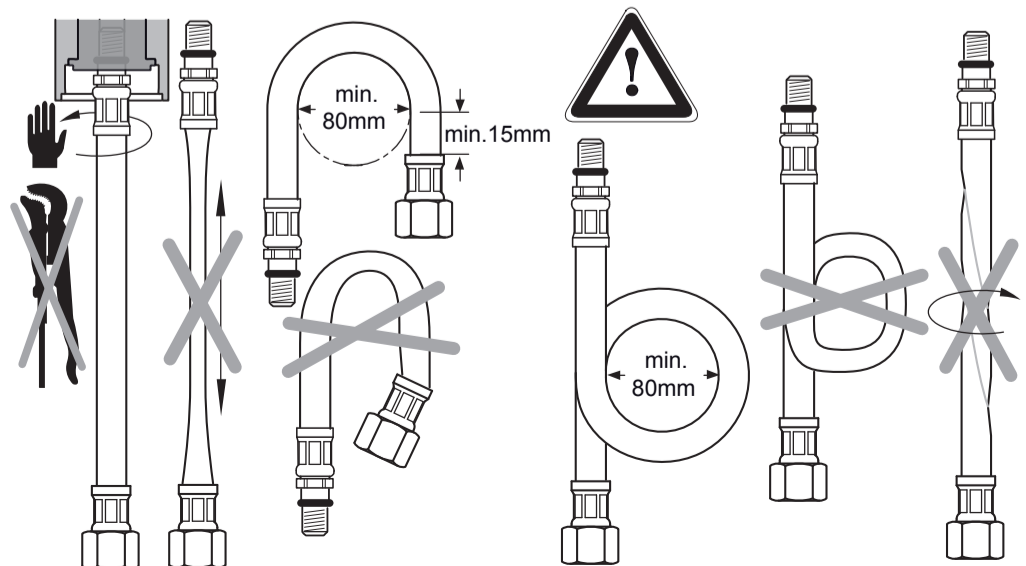
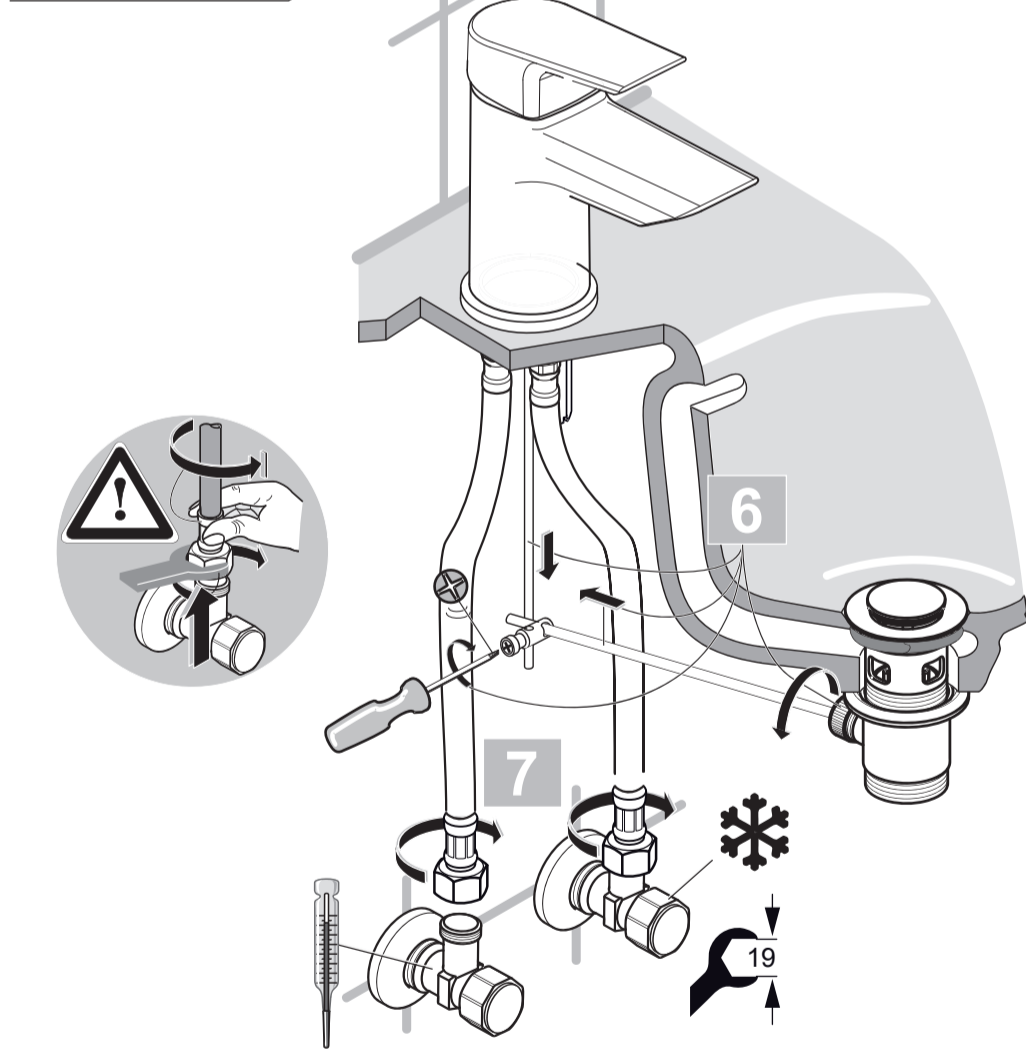
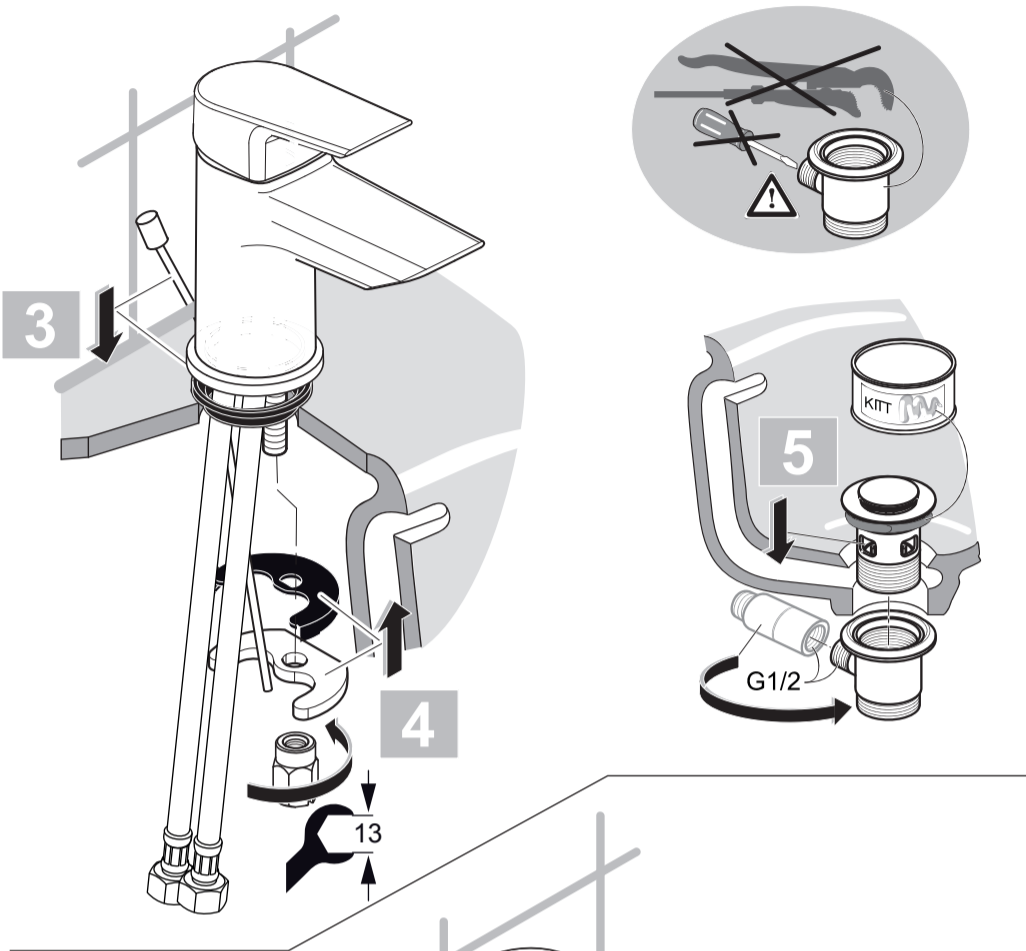
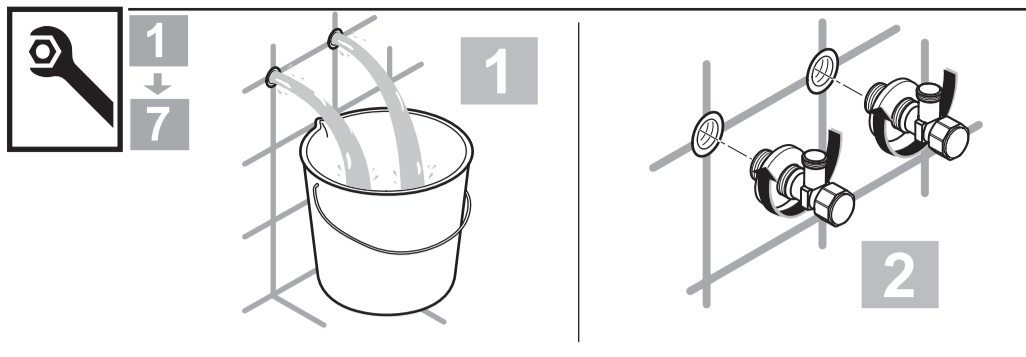
A6574
A6576



Ideal Standard International BVBA
 Corporate Village - Gent Building
 Da Vincilaan 2
 1935 Zaventem
 Belgium

www.idealstandardinternational.com





| | | | | | | |
|--|----------|------------|--|--|--|---------------------|
| | P | bar | | | | Q (3 bar) |
| | T | °C | | | | l/min |
| | | | | | | 5 |