

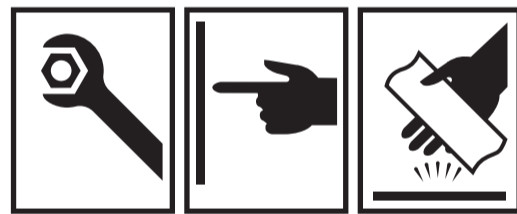
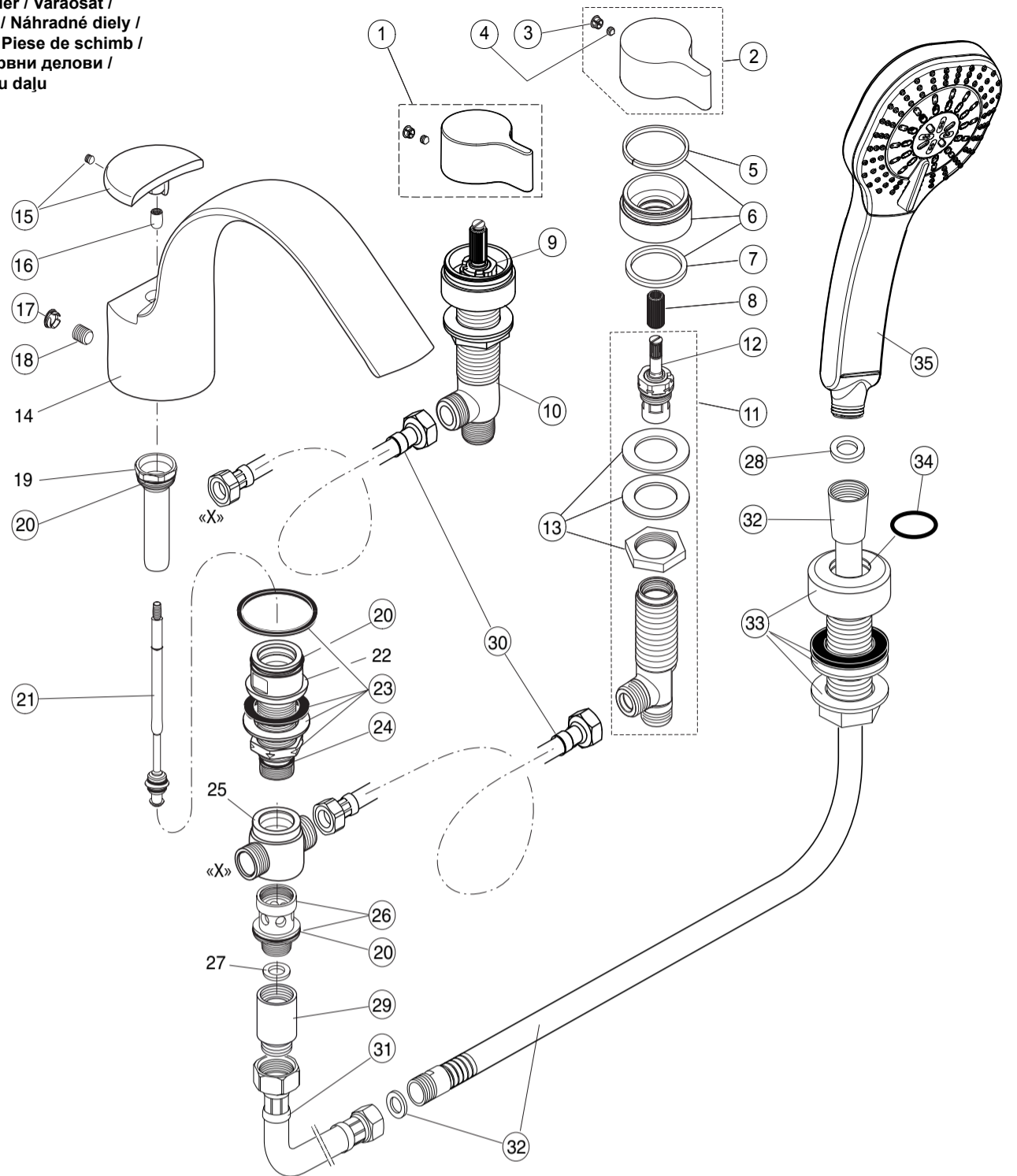


Spare Parts / Ersatzteile / Pièces de recharge / Pezzi di Ricambio / Piezas de requesto /
 Parte de reposição / Reserveonderdelen / Reservdelar / Reservedeler / Varaosat /
 Vraosat / Varahlutir / Ανταλλακτικά / Yedek Parçalar / Náhradní díly / Náhradné diely /
 Nadomestni deli / Резервни части / Запчасти / Części Zapasowe / Piese de schimb /
 Rendelhető alkatrészek / Запасні частини / Reservní delovi / Резервни делови /
 Резервни делови / Atsarginių dalių / Tellitavad varuosad / Rezervju daļi

XX = AA,AD,..

Position

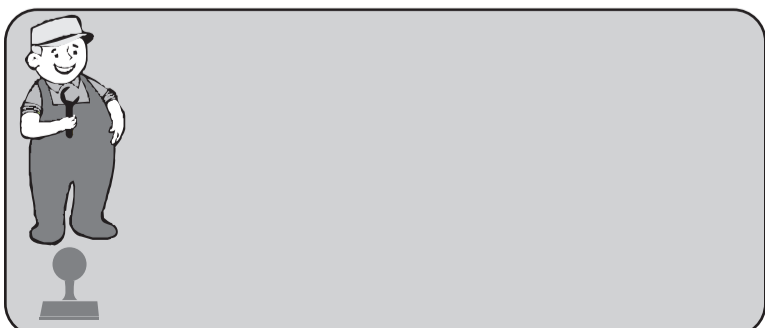
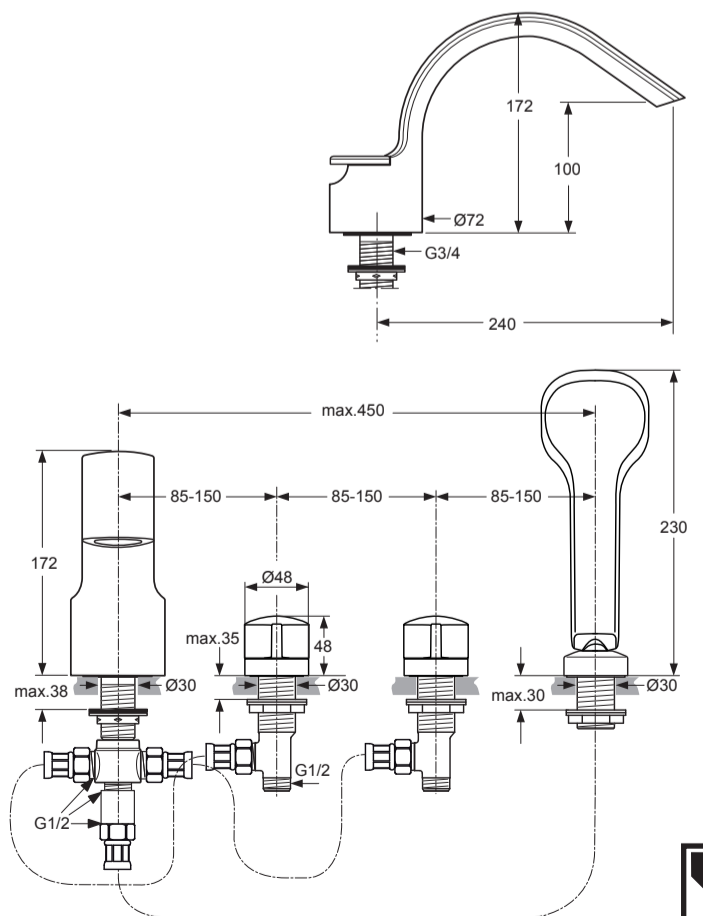
- 1 = A 962052 XX
- 2 = A 962053 XX
- 3 = A 960396 XX
- 4 = A 961268 NU (2x)
- 5 = A 960445 NU
- 6 = A 962054 XX
- 7 = A 960499 NU
- 8 = A 962335 NU
- 9 = A 963033 NU
- 10 = A 962055 NU
- 11 = A 962056 NU
- 12 = A 962336 NU
- 13 = A 963049 NU
- 15 = A 960113 XX
- 16 = A 960111 AT
- 17 = A 962227 XX
- 18 = A 961807 NU
- 20 = A 961798 NU
- 21 = A 960110 XX
- 23 = A 961811 NU
- 24 = A 961810 NU
- 26 = A 961816 NU
- 28 = A 961817 NU (5x)
- 29 = H 960184 NU
= A 962594 NU (2x)
- 30 = H 960312 NU
- 31 = H 960185 NU
- 32 = H 960440 XX
- 33 = A 962061 XX
- 34 = A 960239 NU
- 35 = T 2439 XX



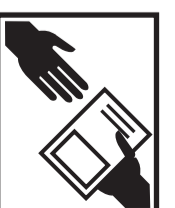
MELANGE

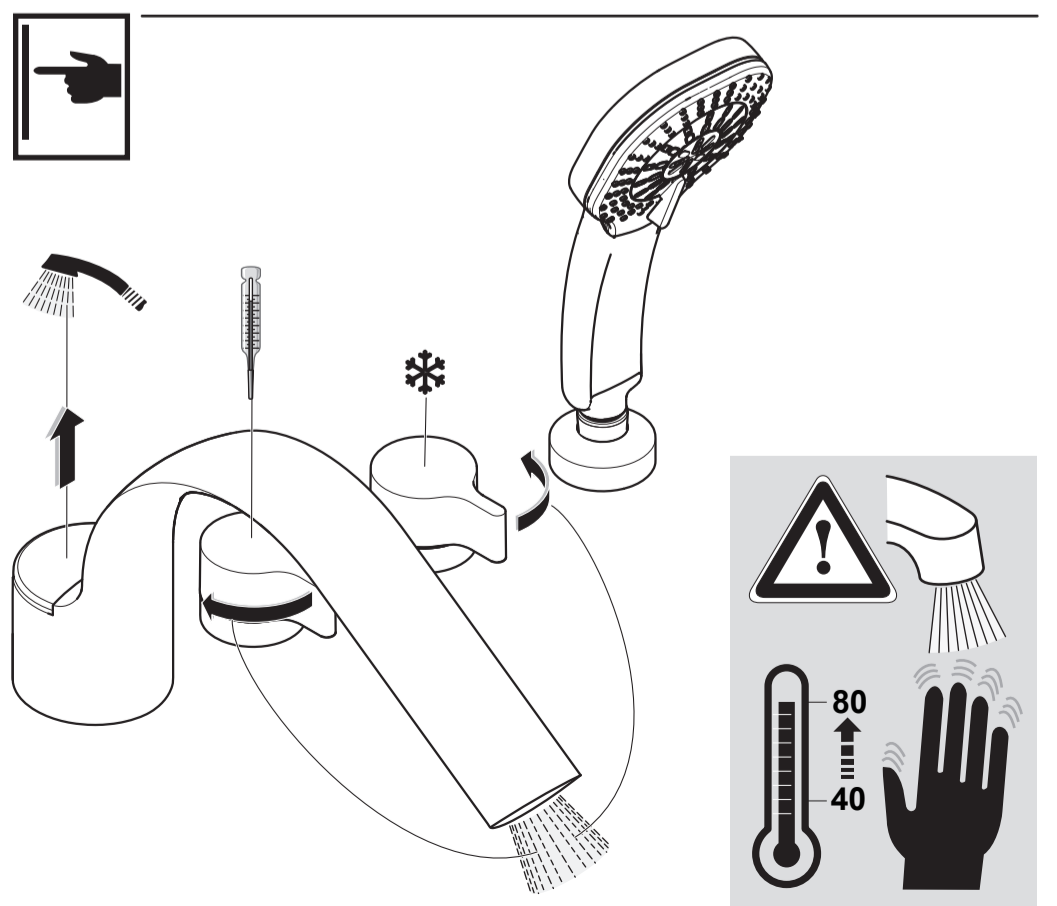
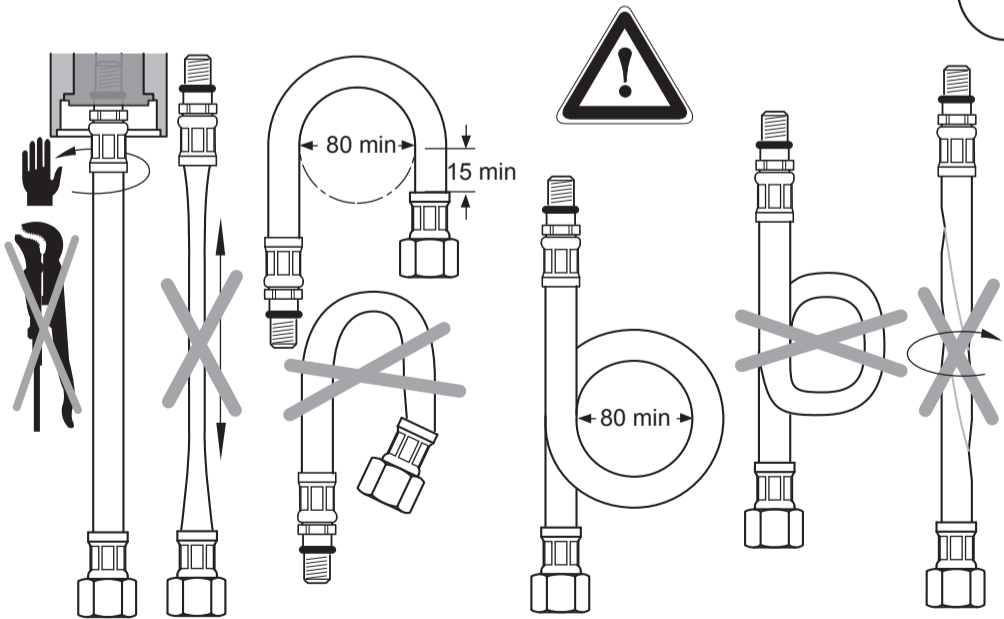
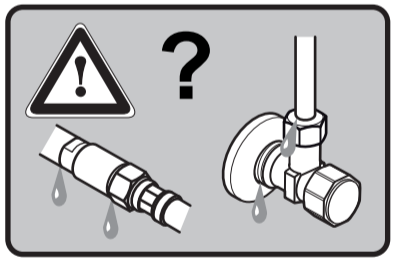
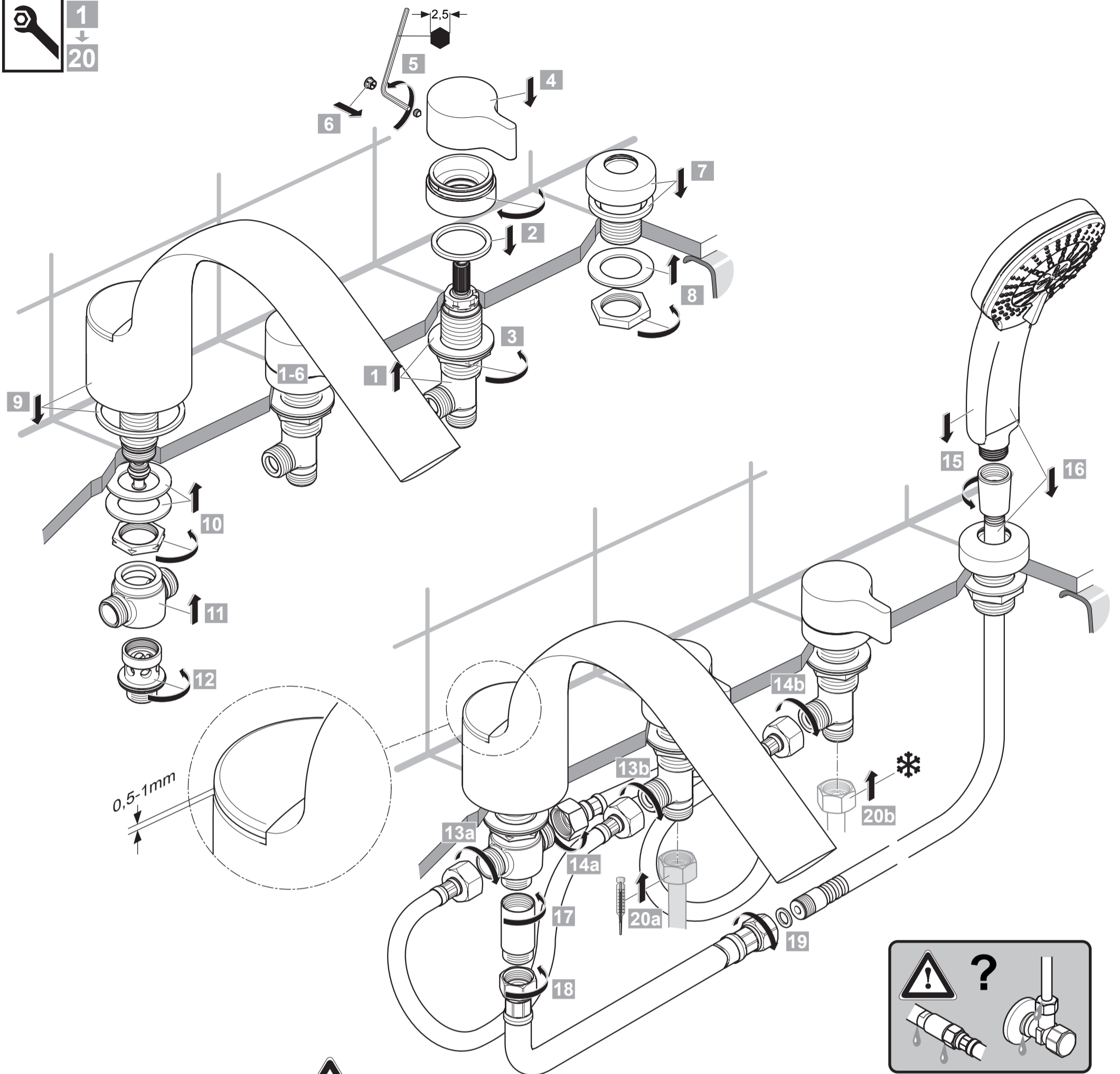
A 4293 ..

1107 / A 865 803
 (+ A 865 612)



Ideal Standard
 Röntgenstrasse 9
 54516 Wittlich
 Germany





| | | | | | | | | | | |
|--|----------|-----|--|---------|--|----------|--|---|--|----------------------|
| | P | bar | | 0,5 | | MAX. 10 | | 5 | | Q (3 bar) |
| | T | °C | | MAX. 80 | | 65 40 | | | | l/min 20,5 |

